



model **BP15HPS**

Back Panel

## FEATURES & BENEFITS

---

## OPTIONS

---

For more information, visit [www.hawSCO.com](http://www.hawSCO.com) or call (888) 640-4297.



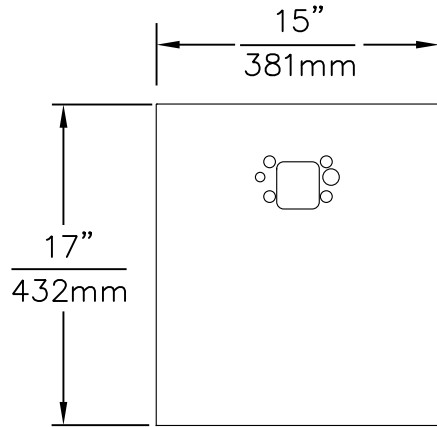
## SPECIFICATIONS

---

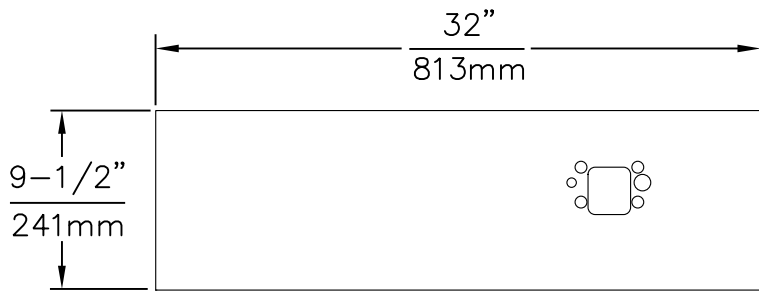
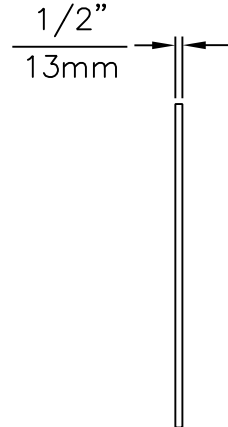
Model BP15HPS is a versatile and decorative back panel for model 1920HPS that increases location visibility of the bottle filler, and also helps protect wall from inadvertent splash. This back panel is 15" x 15" (38 x 38 cm) stainless steel with a polished finish. BP15HPS and 1920HPS can be used with model 1001HPS and H1001.8HPS.

## APPLICATIONS

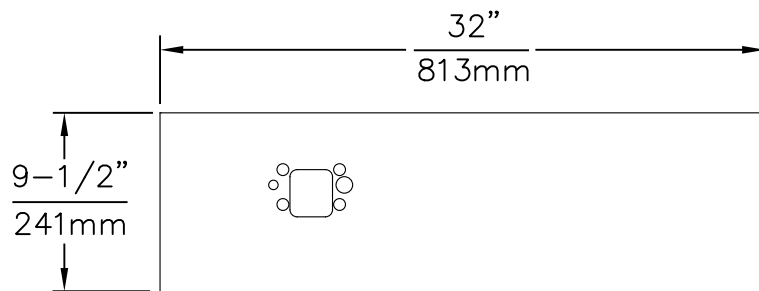
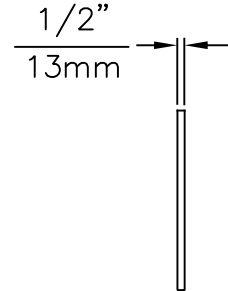
---



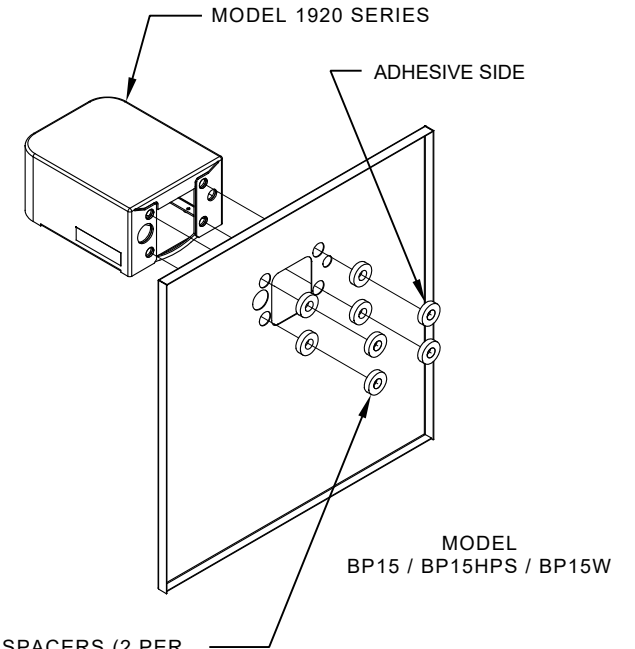
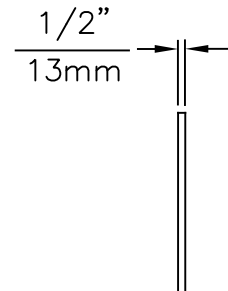
**MODEL BP15 / BP15HPS / BP15W**



**MODEL BP32 / BP32HPS / BP32W**



**MODEL BP32R / BP32RW**

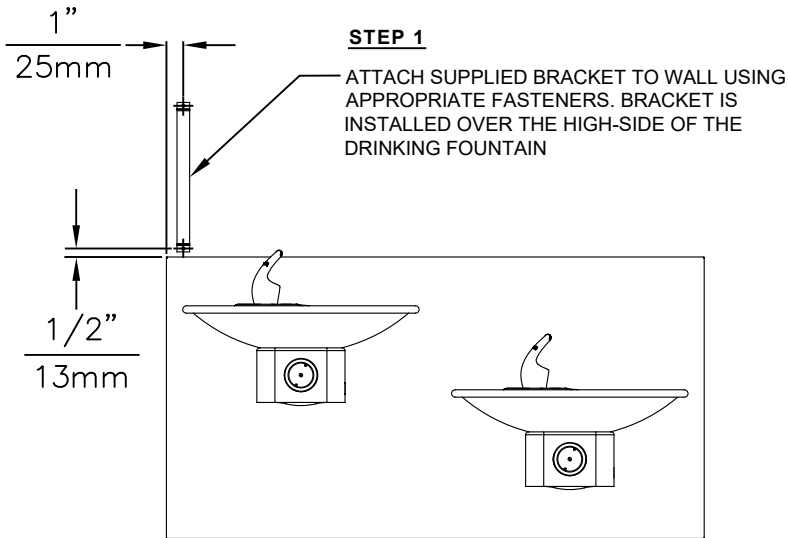


8 SPACERS (2 PER MOUNTING BOLT IF THE MOUNTING PLATE IS INSTALLED BEHIND THE FINISHED WALL. USE 1 SPACER PER BOLT FOR RETROFITS WHERE THE MOUNTING PLATE IS INSTALLED IN FRONT OF THE FINISHED WALL)

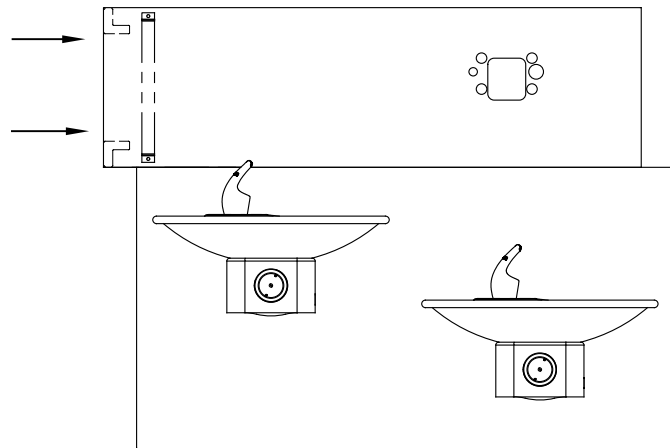
**INSTALLATION OVER SINGLE FOUNTAIN**  
SHOWN FROM REAR

NOTES:  
1. WHEN INSTALLING THIS UNIT, LOCAL, STATE OR FEDERAL CODES SHOULD BE ADHERED TO.

		1455 KLEPPE LANE SPARKS, NEVADA 89431 (775) 359-4712 FAX (775) 359-7424 E-MAIL: HAWS@HAWS.CO.COM WEBSITE: WWW.HAWS.CO.COM	
ECN NO. 5081	REVISED PER ECN: 5665	BY: FV	MODEL(S)
DRAWN: MJ	DATE: 08/27/16	CHK'D: JL	DRAWING, BACK PANEL, SPACER INSTALLATION, BOTTLE FILLER
APPROVED: FV	DATE: 03/04/21	SCALE: 1:1	DRAWING TYPE: INSTALLATION
		SIZE: A	SHEET 1 OF 2
		PART NUMBER 0510000493	REVISION 3

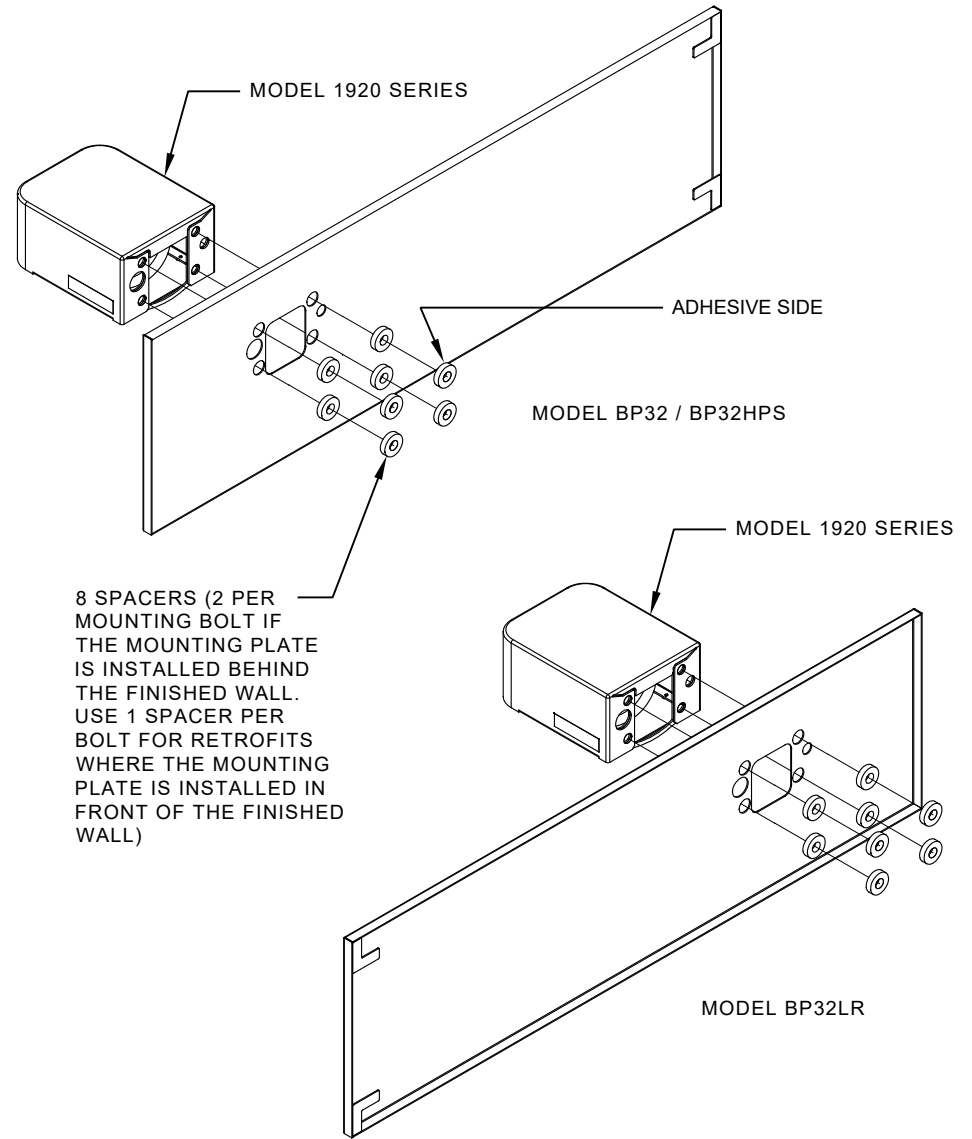


**STEP 2**  
PLACE THE BACKPLATE AGAINST THE WALL AND SLIDE SIDWAYS SO THE TABS CATCH UNDER THE BRACKET



**STEP 3**  
INSTALL THE BOTTLE FILLER PER THE INSTRUCTIONS SUPPLIED WITH THE UNIT

NOTES:  
1. WHEN INSTALLING THIS UNIT, LOCAL, STATE OR FEDERAL CODES SHOULD BE ADHERED TO.



**INSTALLATION OVER DOUBLE FOUNTAIN**  
SHOWN FROM REAR

		1455 KLEPPE LANE SPARKS, NEVADA 89431 (775) 359-4712 FAX (775) 359-7424 E-MAIL: HAWS@HAWSO.COM WEBSITE: WWW.HAWSO.COM	
ECN NO. 5081	REVISED PER ECN: 5665	BY: FV	MODEL(S)
DRAWN: MJ	DATE: 02/02/17	CHK'D: JL	DRAWING, BACK PANEL, SPACER INSTALLATION, BOTTLE FILLER
APPROVED: FV	DATE: 03/04/21	SCALE: 1:1	DRAWING TYPE: INSTALLATION
		SIZE: A	SHEET 2 OF 2
		PART NUMBER 0510000493	REVISION 3