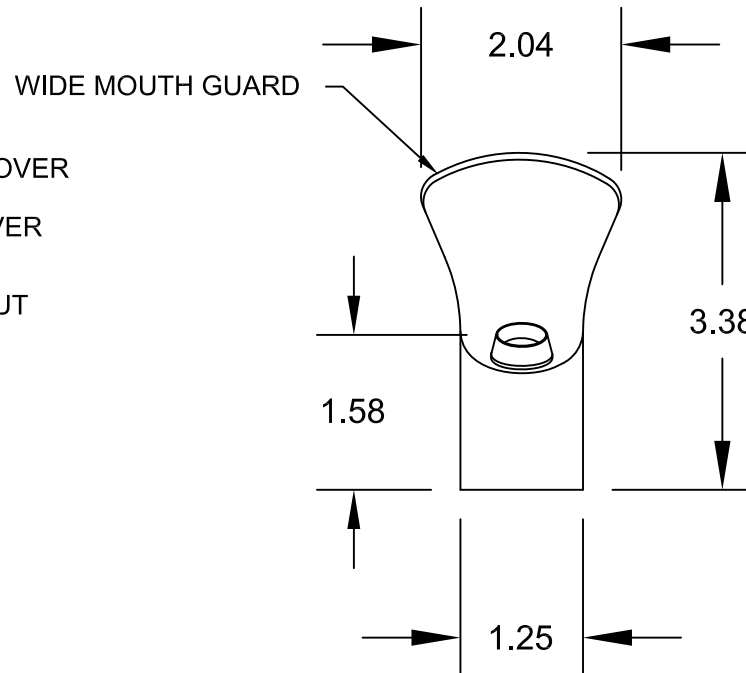
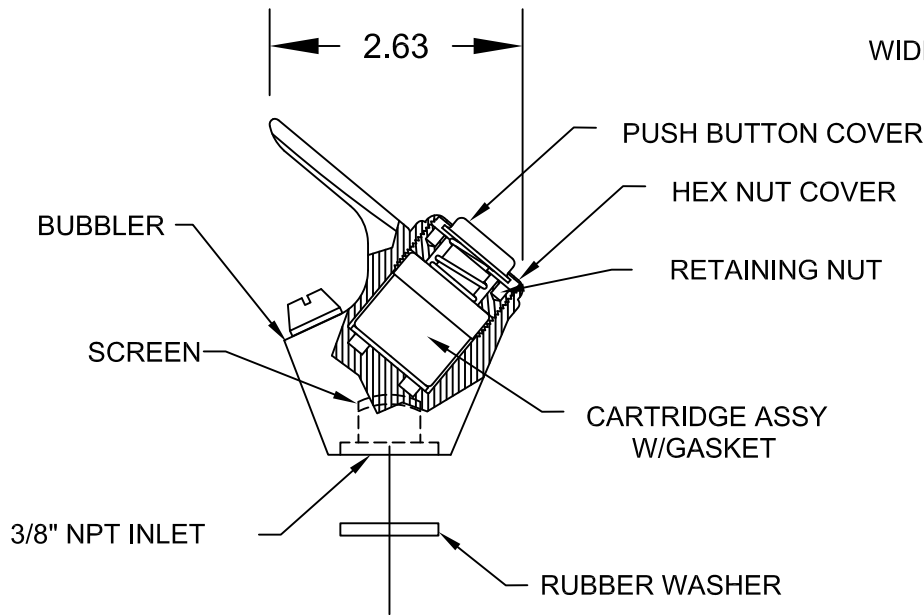
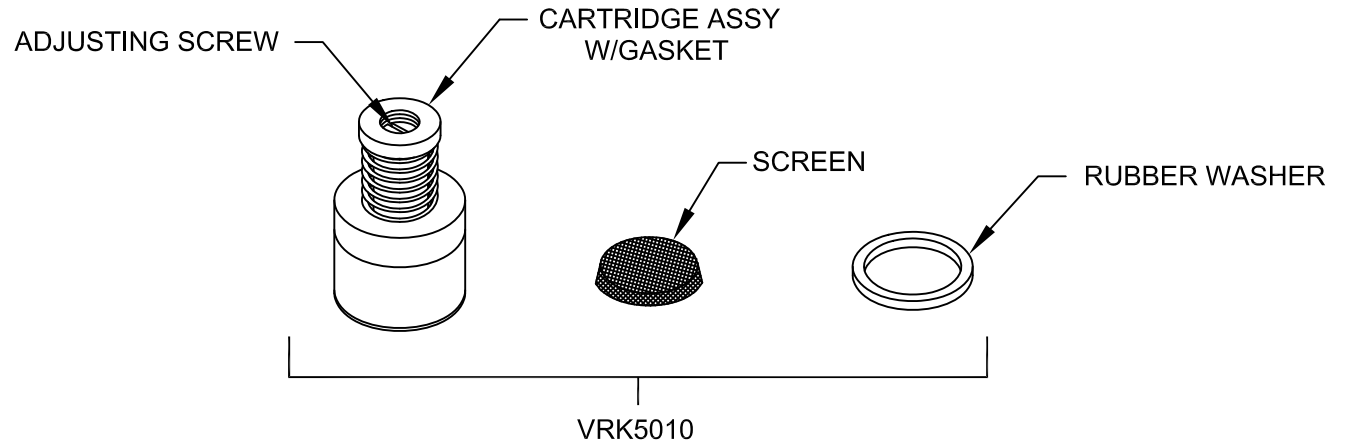


NOTES:

TO ADJUST FLOW:

1. REMOVE HEX NUT COVER AND PUSH BUTTON COVER.
2. ADJUST WITH SCREWDRIVER: CLOCKWISE TO INCREASE FLOW & COUNTER-CLOCK WISE TO DECREASE FLOW.
3. IF DESIRED FLOW IS NOT OBTAINED, CLEAN SCREEN AT INLET.
4. REPLACE PUSH BUTTON COVER AND HEX NUT COVER.



			1455 KLEPPE LANE SPARKS, NEVADA 89431 (775) 359-4712 FAX (755) 359-7424 E-MAIL: HAWS@HAWS.CO.COM WEBSITE: WWW.HAWS.CO.COM	
			ECN NO: 4215 REVISION: 1 DATE: 01/14/99	REVISION: 1 DATE: 01/14/99
DRAWN: SLS APPROVED:	DATE: 01/14/99	CHKD:	DRAWING NO. 15851A00	REV 1
SCALE: 1:1		DRAWING TYPE:	INSTALLATION	SIZE: A SHEET 1 OF 1