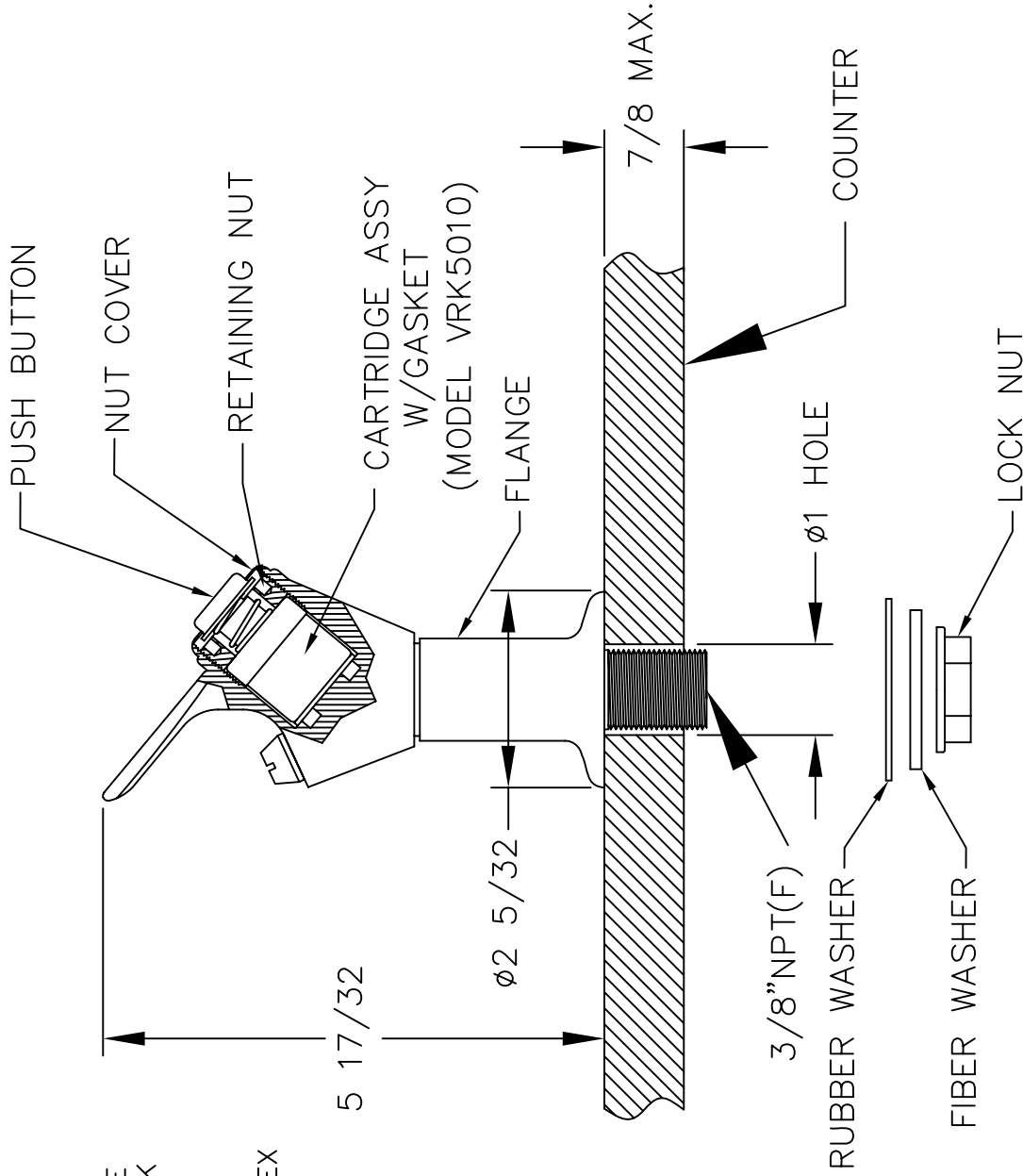


NOTES:

TO ADJUST FLOW:

1. REMOVE HEX NUT COVER AND PUSH BUTTON COVER.
2. ADJUST WITH SCREWDRIVER: CLOCKWISE TO INCREASE FLOW & COUNTER-CLOCKWISE TO DECREASE FLOW.
3. IF DESIRED FLOW IS NOT OBTAINED, CLEAN SCREEN AT INLET.
4. REPLACE PUSH BUTTON COVER AND HEX NUT COVER.



1455 KLEPPE LANE
SPARKS, NEVADA 89431
(775) 359-4712 FAX (775) 359-7424
E-MAIL: HAWS@HAWS.CO.COM
WEBSITE: WWW.HAWS.CO.COM

REV. NO.	REV. DATE	REV. DESCRIPTION	REV. NO.
000	2075000.D	ISSUE CHANGE	0
15853A00			1
000	2075000.D	ISSUE CHANGE	0
15853A00			1

MODEL(S): 5010.6427SS
INFO FAX DOC #: 25010677
SCALE: 1:1 DRAWING TYPE: INSTALLATION/BACK
APPROVED: DATE: DRAWING TYPE: INSTALLATION/BACK