

U.S. Patents: 9,661,924 & 9,723,922 & 10,028,581 & 10,251,480 & 11,923,160

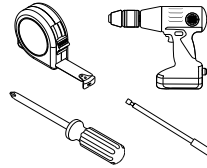
IMPORTANT:

Before you begin, make sure you familiarize yourself with all the parts and fully read the instructions. GFCI outlet must be installed or accessible within 3.5 feet of where the pullout will be installed. ETL recognized 12 amps at 120 VAC (60 Hz).

Top shelf rated for 30 lbs. Bottom shelf rated for 26 lbs. Total weight capacity rated for 100 lbs. at full extension. FOR HOUSEHOLD USE ONLY.

PARTS IDENTIFICATION:

TOOLS NECESSARY:



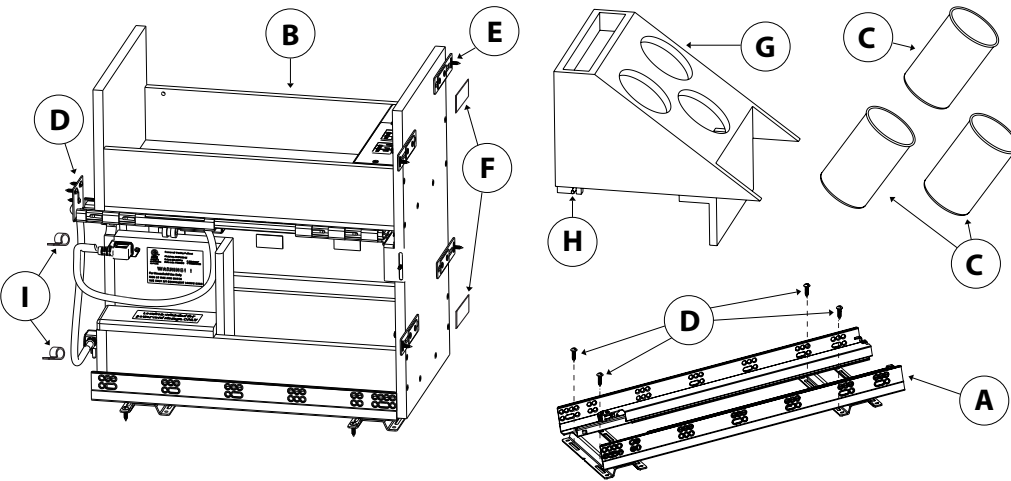
- Tape Measure
- Screw Gun
- Phillips Screwdriver
- Long Extension Bit

NOTE: If screw gun has a clutch, set to lowest setting so as not to over tighten and/or strip screws.



Scan QR or visit link to view installation video.

<https://delivr.com/24jzz>



A	Mounting Base	1 pc
B	Base Pullout Unit	1 pc
C	4" x 6" Stainless Steel Canisters (PVBPOF11-SC comes with 4 pcs)	3 pcs
D	#8 x 5/8" Pan Head Wood Screw	10 pcs
E	#8 x 5/8" Flat Head Wood Screw	4 pcs
F	3M Double-Sided Tape	4 pcs
G	Angled Topper*	1 pc
H	Pins	2 pcs
I	Cable Clamps	2 pcs

*PVBPOF8-SC comes with 2-cannister angled topper and 2 pins. PVBPOF11-SC comes with 3-cannister angled topper and 2 pins.

IMPORTANT SAFETY INSTRUCTIONS:

CAUTION: To reduce risk of fire or electronic shock or injury to persons

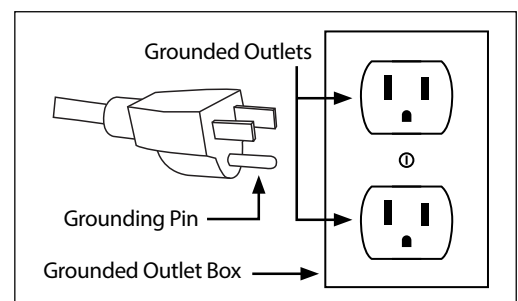
- Not intended for long-term storage. Items should be monitored.
- Wiring and installation should only be performed by a licensed electrician. All wiring must follow NEC regulations.
- Do not alter plug.
- Do not store combustibles such as aerosols in unit.

OPERATING INSTRUCTIONS:

- Install 120v GFCI outlet in rear of cabinet within 3.5 feet of back of unit.
- Do not overload outlet.
- Hot items should only be placed in canisters.
- Customer is responsible for electrical wiring outside of this unit.
- Product is intended for powered device usage.
- Overall safety of this product is determined by its end use.

MAINTENANCE INSTRUCTIONS:

- Clean with a damp cloth and wipe dry.
- If you're experiencing issues with your unit, remove and inspect for damage.
- Route and secure cords so that they will not be put in a bind or under strain when unit is closed.
- Unit must be properly grounded using provided cable with grounding pin.
- This product is for use on a nominal 120-volt circuit and has a grounding plug as shown in the image to the right. Make sure that the product is connected to an outlet having the same configuration as the plug. No adapter should be used with this product.



WARNING - RISK OF FIRE AND SHOCK; USE ONLY SJT EQUIVALENT 14AWG CORD



1

Remove the base from the unit by releasing the slide clips.

- a. In framed cabinets, center the unit in the opening making sure the front runner is pulled tight against the back of the face frame. Install with the four (4) #8 X 5/8" Pan Head Wood Screws provided in the four (4) slots in the runners.
- b. For frameless cabinets, place the unit centered within the cabinet and set back the front runner by 3/4". Install with the four (4) #8 x 5/8" Pan Head Wood Screws provided in the four (4) slots in the runners.



2

Peel the double-sided tape from the rear bracket. Reinstall the unit onto the slide base, keeping any loose cords safely tucked into the unit itself. Cycle the unit to make sure the slide clips are engaged. Pull the unit partially open to gain access to the upper slide. Grasping the upper slide, firmly push it against the back of the cabinet. The rear bracket should adhere to the back of the cabinet.



3

Unplug the female connector from the side of the unit. Slide the rear mounting bracket off the slide and remove the unit from the base again. Secure rear bracket with three (3) #8 x 5/8" Pan Head Wood Screws.



4

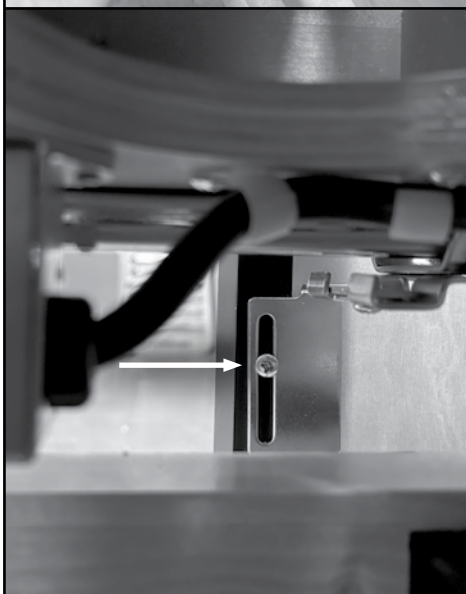
If the power outlet is in the cabinet where the unit is installed, use the two (2) provided cable clamps and two (2) #8 x 5/8" Pan Head Wood Screws to bundle and secure the cable to the back of the cabinet as shown so that the cable isn't damaged when the unit is retracted.

If the power outlet is not in the cabinet where the unit is installed, drill holes as needed and feed the male plug through hole to access the outlet ensuring that the cable is secured in such a manner that it can't be damaged when the unit is retracted.



5

Place the unit on top of extended slides and engage the clips. Reach through the rear opening of the unit and find the female end of the plug. Install the plug into the receptacle on the side of the unit, ensuring the power cable does not have rotational resistance. Push the unit into the cabinet, making sure that the top slide is properly seated into the rear mounting bracket. Operate the unit to make sure all slides are working properly.



6

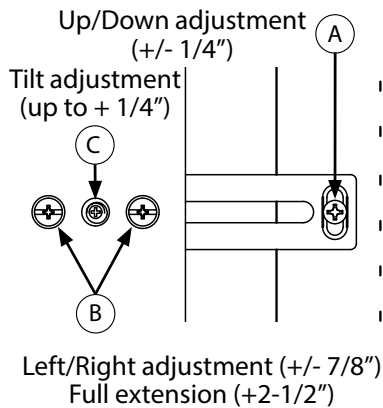
Pull the top front mounting bracket into position on the side of the face frame (or cabinet) allowing for a 3/16" setback. Make sure the gap between the unit and the side of the face frame is equal from top to bottom. Adjust accordingly and then securely tighten the bracket set screw. Remove middle canister if needed and use a long extension bit to reach from the right side of the unit to the front mounting bracket. Firmly secure with one (1) #8 x 5/8" Pan Head Wood Screw. Operate the unit and make adjustments as necessary for the slides to operate smoothly.



7

Loosen the door mounting screws and slide bracket to desired position before attaching the door. With unit retracted, attach 1 piece of double-sided tape to each door bracket, and visually align the door with the cabinet. Press firmly to temporarily attach door to unit. Carefully open base pullout, then install door with the four (4) #8 x 5/8 Flat Head Phillips Wood Screws provided.

NOTE: IF DOOR PANEL THICKNESS IS LESS THAN 3/4", SHORTER SCREWS (NOT PROVIDED) MUST BE USED.



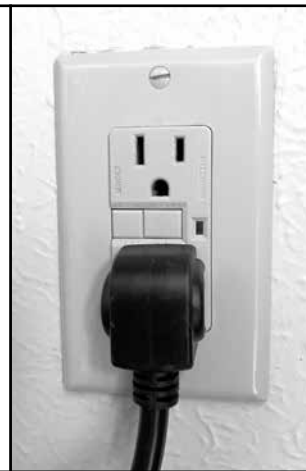
8

To adjust door up or down loosen door mounting screws (A). To adjust left or right, loosen both set screws (B) adjust and retighten. To adjust tilt, loosen both set screws (B) and then turn tilt screw (C) clockwise to desired distance and then retighten set screws.



9

If installing the full height versions (PVBPOF8-SC or PVBPOF11-SC), remove the back two (2) canisters from the base unit, and place them into the angled topper. Insert the pins into the pin holes on the top shelf of the pullout, and insert the angled topper into the top shelf.



10

Plug the male end of the cord into a GFCI outlet.