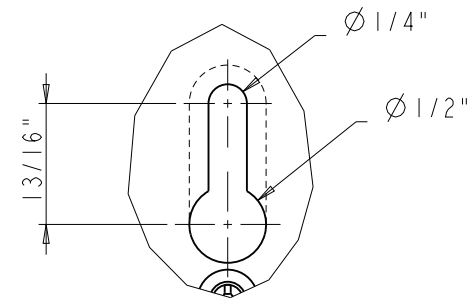
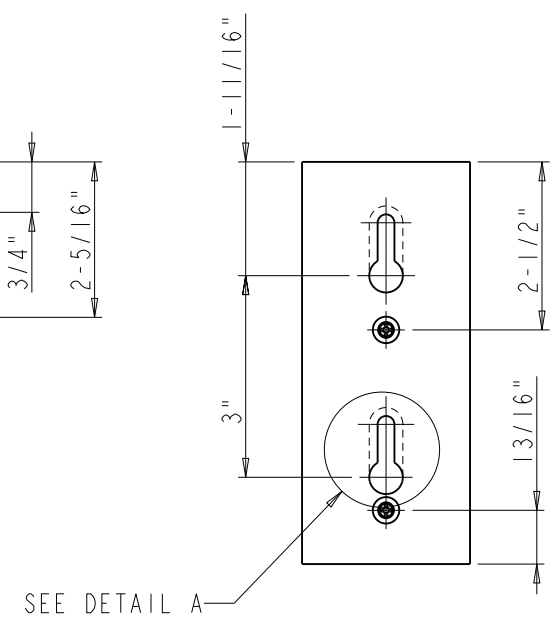
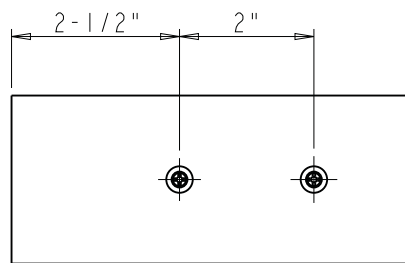
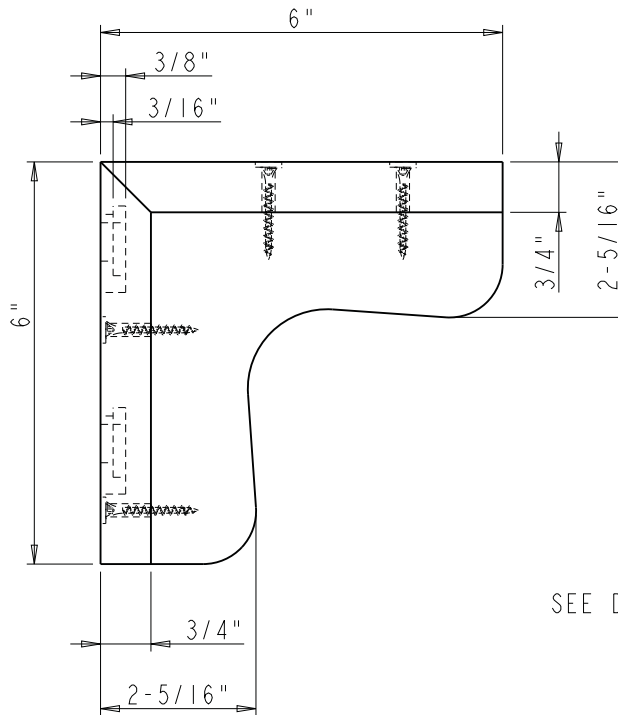
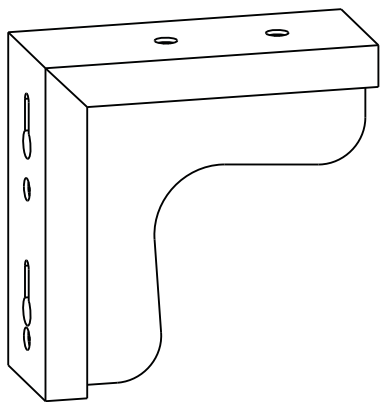
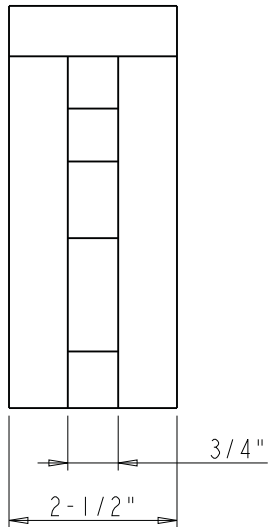


	ITEM#: COR8-6.5		MATERIAL:		
	FINISH:		WEIGHT: [.2] g		
	PROJECTION		DATE: Aug-08-16		
	PROPRIETARY AND CONFIDENTIAL THE INFORMATION CONTAINED IN THIS DRAWING IS THE SOLE PROPERTY OF HARDWARE RESOURCES INC. ANY REPRODUCTION IN PART OR AS A WHOLE WITHOUT THE WRITTEN PERMISSION OF HARDWARE RESOURCES INC. IS PROHIBITED.		UNITS: TOLERANCE UNLESS OTHERWISE SPECIFIED: X ±0.20 X.X ±0.10 X.XX ±0.05 ANGULAR: ±0.5°		
DO NOT SCALE DRAWING		DRAWN BY: Hugo.cai		DATE:	
		APPROVED BY:		DATE:	
		SHEET:		REVISION:	
		RELEASE LEVEL:			



DETAIL A
SCALE 4:5

	ITEM#: COR8-6.5		MATERIAL:	
	FINISH:		WEIGHT:	
	PROJECTION:		9	
<p>PROPRIETARY AND CONFIDENTIAL</p> <p>THE INFORMATION CONTAINED IN THIS DRAWING IS THE SOLE PROPERTY OF HARDWARE RESOURCES INC. ANY REPRODUCTION IN PART OR AS A WHOLE WITHOUT THE WRITTEN PERMISSION OF HARDWARE RESOURCES INC. IS PROHIBITED.</p>	TOLERANCE UNLESS OTHERWISE SPECIFIED:	UNITS:	DRAWN BY:	DATE:
	SIZE:	APPROVED BY:	Hugo.cai	
	ANGULAR: ±0.5°	RELEASE LEVEL:	DATE: Oct-10-16	
	DO NOT SCALE DRAWING	SHEET:	REVISION:	