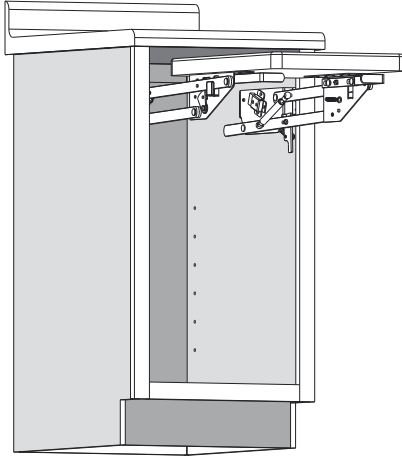


Mixer/Appliance Lift

Installation Instructions for the ML-1CH



WARNING

THIS PRODUCT IS SPRING LOADED AND COULD CAUSE SEVERE HARM IF NOT INSTALLED CORRECTLY!

STEP 1 - For Face Framed Cabinets

* Frameless Cabinets - Proceed directly to Step 2

IMPORTANT:

Before you begin, make sure you familiarize yourself with all the parts and fully read the instructions.

CUSTOMER SERVICE:

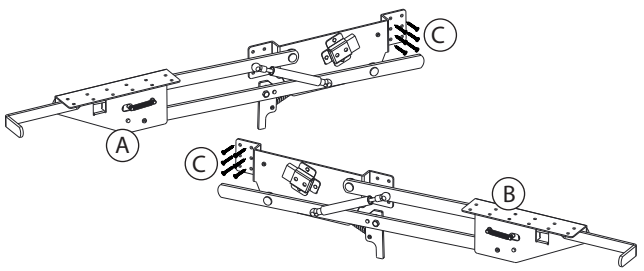
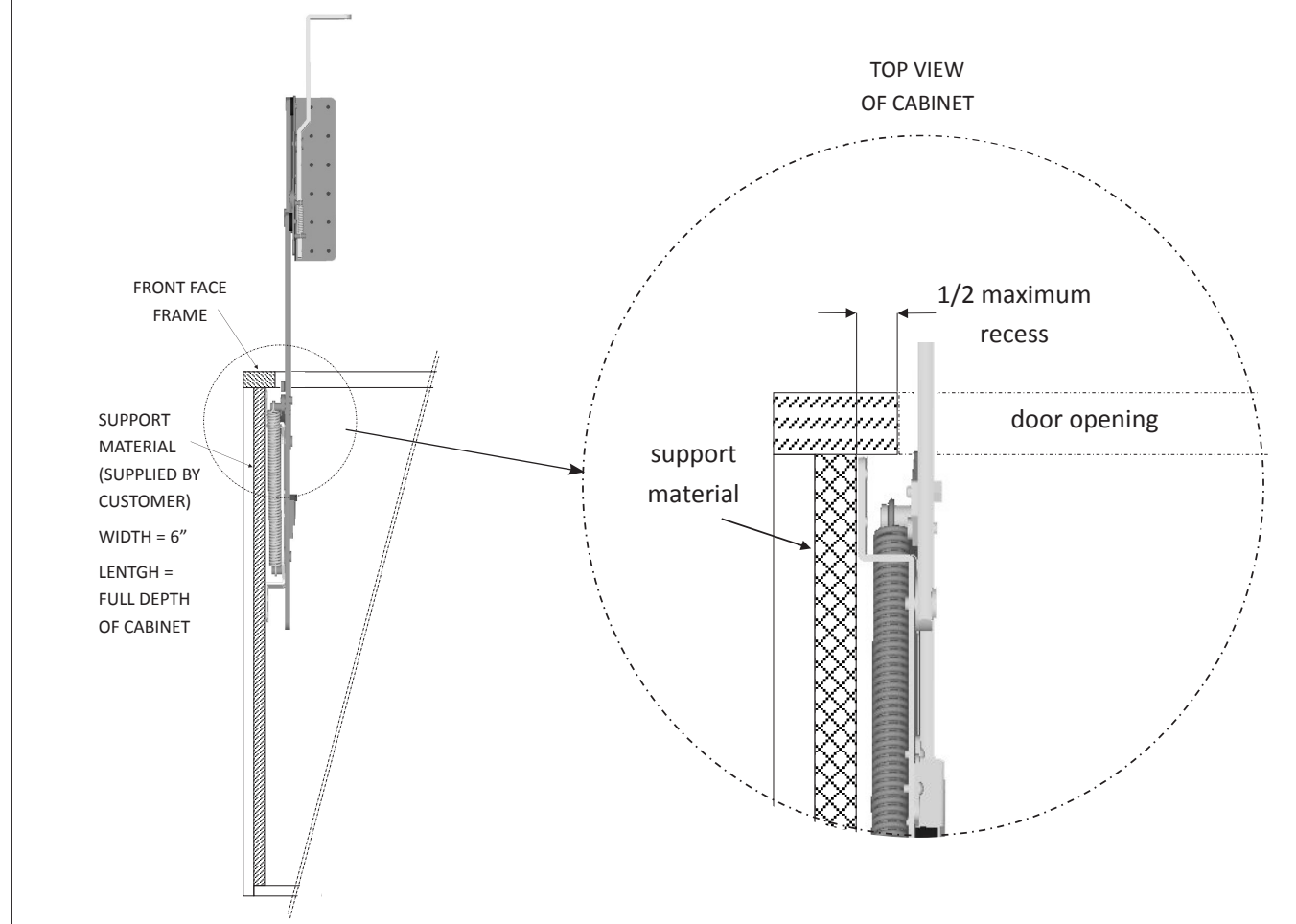
Toll-free customer help line available weekdays between 7:00am and 6:00pm Central Time at 800-463-0660.

TOOLS NECESSARY:

Screw gun, Phillips screwdriver, level and tape measure. 10mm and 12mm boxed end wrenches needed to make necessary adjustment for different shelf weight loads. NOTE: If screw gun has a clutch, set to lowest setting so as not to over tighten and/or strip screws.

CABINET ADJUSTMENTS:

CABINET ADJUSTMENTS: The Mixer/Appliance Lift is designed to install to the inside wall of any cabinet, but to insure proper operation support material is required to be installed along the top of both sides of a face frame cabinet with side panels less than 3/4" thick.

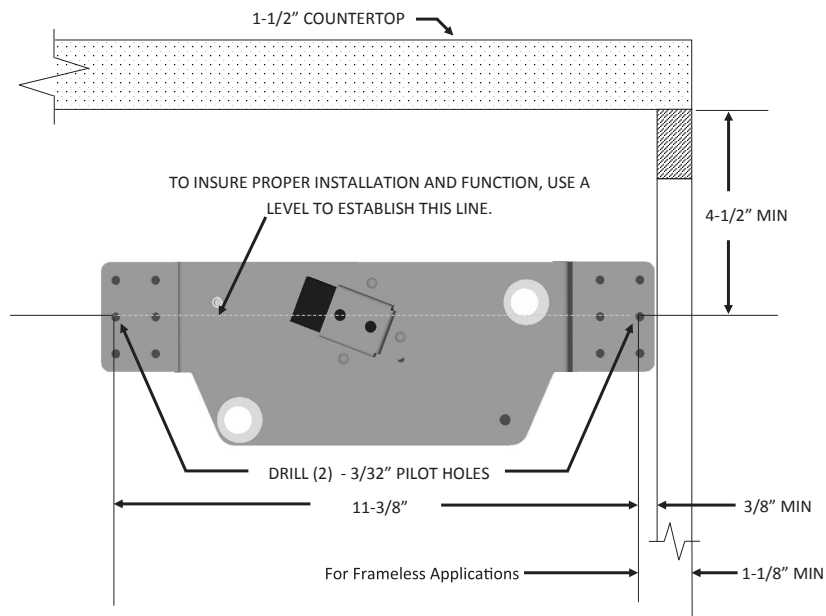


A	Left Side Mounting Bracket	1X
B	Right Side Mounting Bracket	1X
C	#10 x 3/4" Pan Head Phillips Wood Screw	24X

(Support material and mounting screws not included) Install support material as high as possible on both the inside walls of the cabinet. Support material should be 6" wide and run the entire depth of the inside of the cabinet. The thickness of the support material should allow for a maximum 1/2" recess.

STEP 2

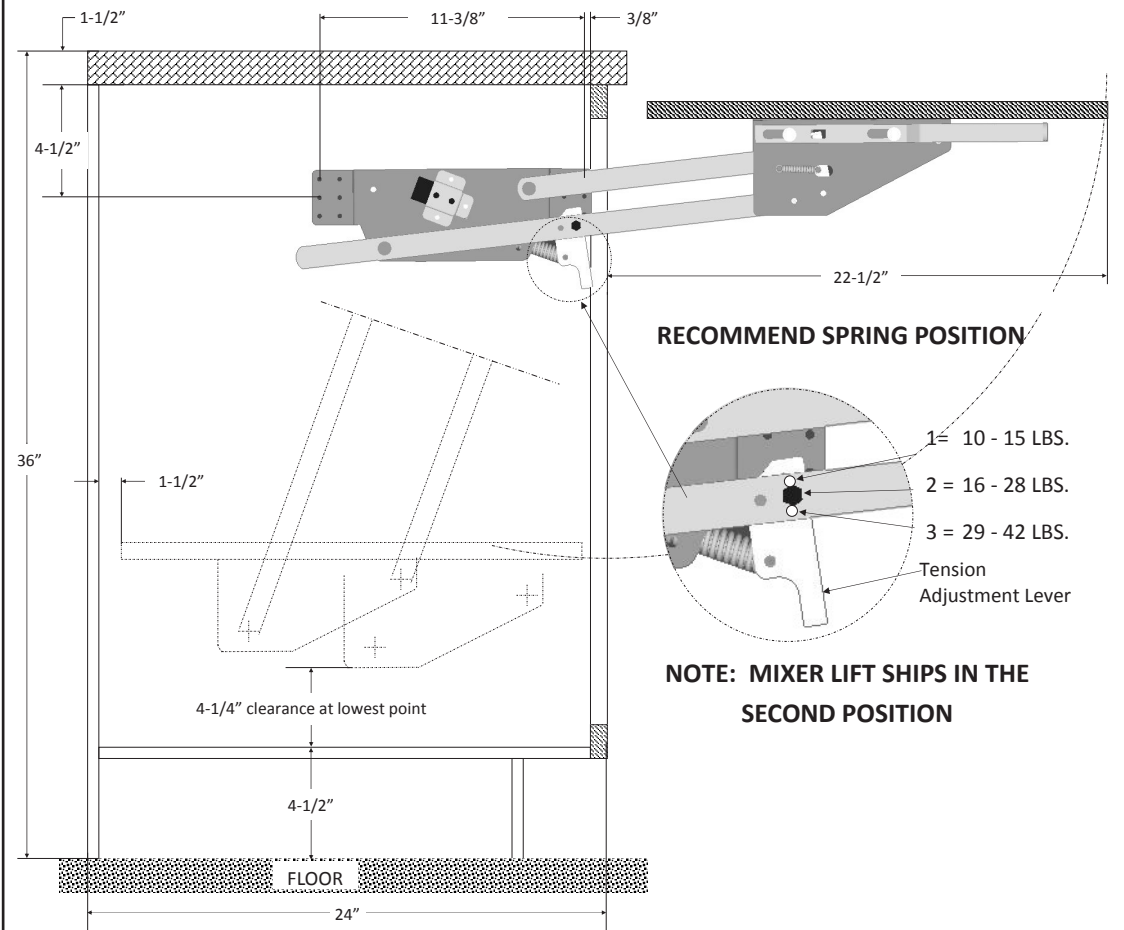
STEP 3



On both sides of the cabinet, mark down from the top of the cabinet 4-1/2" and draw a 12" long level line. On the line measure 3/8" and 11-3/4" from the back of the face frame (1-1/8" from front of cabinet for frameless application) and mark. Pre-drill 3/32" pilot holes 1/2" deep on both sides at these four locations.

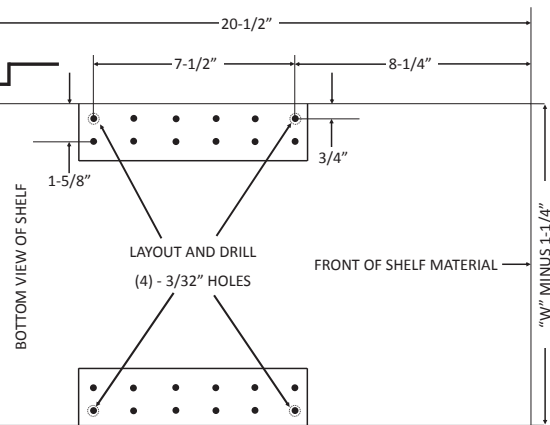
Install both mounting brackets as shown above with the (24) - #10 x 3/4" Pan Head Phillips Wood Screws provided. **NOTE: To insure proper operation of the lift, 12 screws per mounting bracket must be installed.**

STEP 4



Following the recommend spring position for varying mixer weights shown above, adjust the spring by using a 10mm boxed in wrench to remove the set bolt while releasing the spring tension on the tension adjustment lever by placing the box end of a 14 mm boxed in wrench over the end of the tension adjustment lever and pulling toward the front of the cabinet. **WARNING: SPRING IS UNDER HIGH TENSION! Do not release the tension until the set bolt is in the desired location and firmly secured.** Repeat with other side.

MEASURE DISTANCE BETWEEN MOUNTING PLATES AFTER INSTALLED FOR "W"



STEP 5

(Shelf material is not included) Shelf should be a minimum of 3/4" thick and no longer than 20-1/2" in length. Shelf width is determined by measuring between the side mounting brackets "W" minus 1-1/4". Mount shelf with at least 8 suggested #8 x 1/2" wood screws (not provided) to mounting brackets as show in diagram on the left.