

IMPORTANT:

Before you begin, make sure you familiarize yourself with all the parts and fully read the instructions.

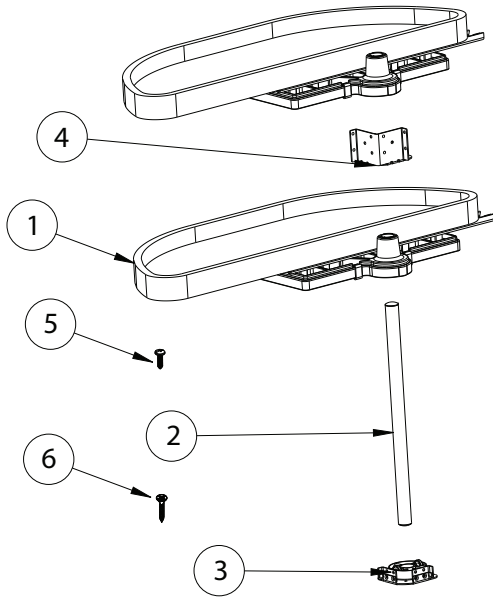
CUSTOMER SERVICE:

Toll free customer help line available weekdays between 7:00am and 6:00pm Central Time at 800-463-0660.

TOOLS NECESSARY:

Screw gun or Phillips screwdriver. NOTE: If screw gun has a clutch, set to lowest setting so as not to over tighten and/or strip screws.

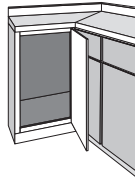
PARTS IDENTIFICATION:



| | | |
|---|--|-------|
| 1 | Plastic Shelf Assembly | qty 2 |
| 2 | Pole | qty 1 |
| 3 | Lower Hub Assembly | qty 1 |
| 4 | Upper Hub Assembly | qty 1 |
| 5 | #8 X 3/4" Pan Head Phillips Wood Screws | qty 4 |
| 6 | #8 X 3/4" Flat Head Phillips Wood Screws | qty 5 |

Half Moon Lazy Susan Installation Instructions for the HMLS Plastic Series

Do I have a Left Hand or Right Hand opening?

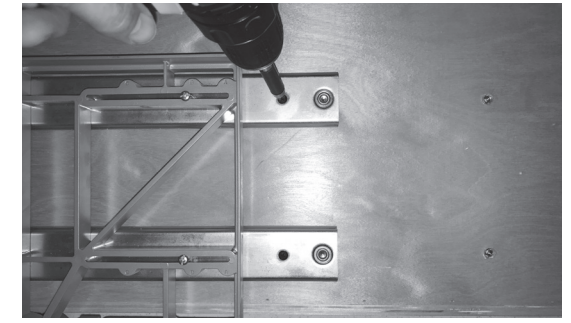


Left Hand blind corners have the opening on the **left**.



Right Hand blind corners have the opening on the **right**.

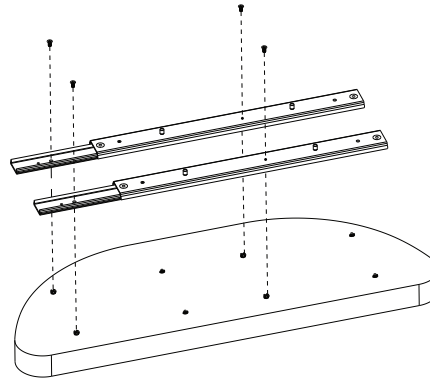
Prior to Installation



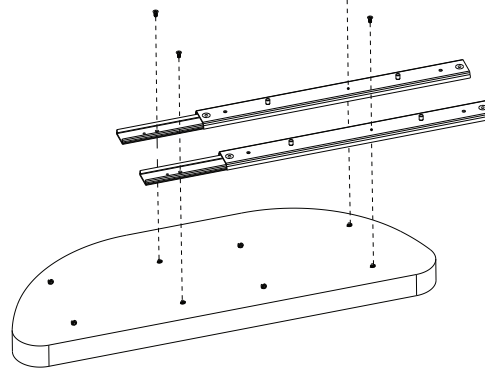
Remove black shipping screws as shown above before beginning installation

STEP 1 - Determine Left or Right Hand Installation

Left Hand Shelf and Bracket Mount

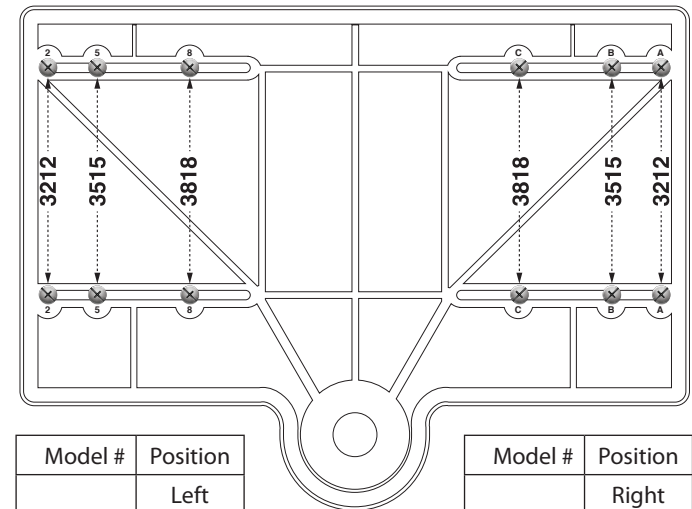


Right Hand Shelf and Bracket Mount



NOTE: The Half Moon Lazy Susan ships ready to install as a Left Hand model. Apply first set of screws on A,B or C when converting to Right Hand model. Attach second set of screws where they are positioned.

Left Hand model



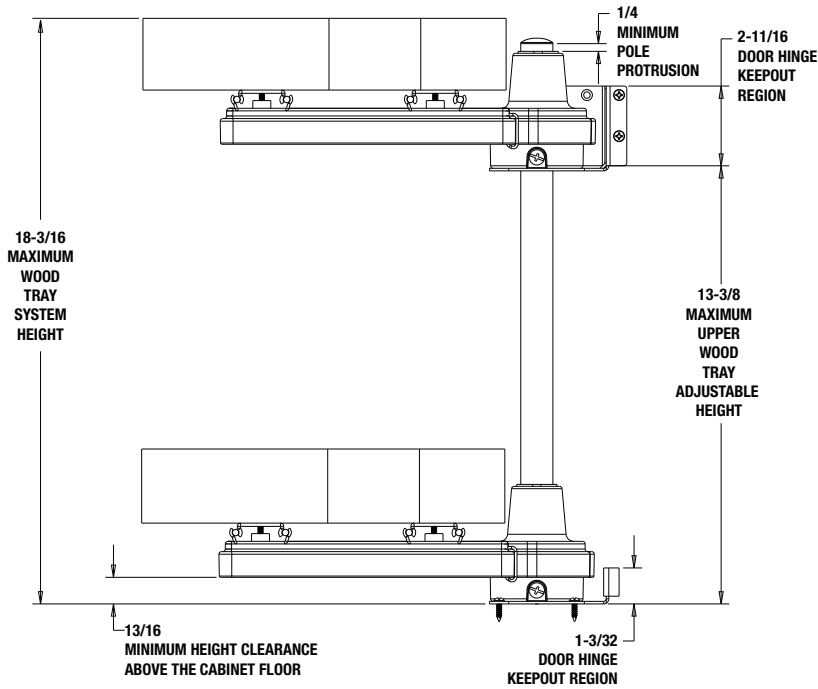
| Model # | Position |
|-------------|-----------|
| | Left Hand |
| 3212 | 2 |
| 3515 | 5 |
| 3818 | 8 |

Right Hand model

| Model # | Position |
|-------------|------------|
| | Right Hand |
| 3212 | A |
| 3515 | B |
| 3818 | C |

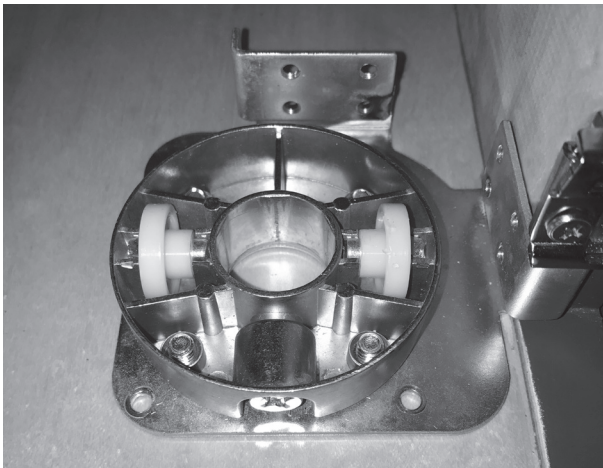
To prepare the unit for Right Hand installation, remove the screws mounting the slides to the shelf and reattach the slides to the shelf as shown above. Then loosen the four screws that attach the metal casting bracket to the shelf and slide the casting bracket to the proper location shown on the illustration and chart above. Re-tighten the screws.

STEP 2 - Determine upper shelf height



Using the diagram as a guide, determine the desired height position of the upper shelf and make a light pencil mark on the side of the face-frame.

STEP 3 - Install Lower Hub Assembly



Place the Lower Hub Assembly tight against the back corner of the face frame (the panel divider in frameless applications) and firmly secure with 4 four #8 X 3/4" Pan Head Phillips Wood screws provided as shown above.

STEP 4 - Install Lower Shelf Assembly



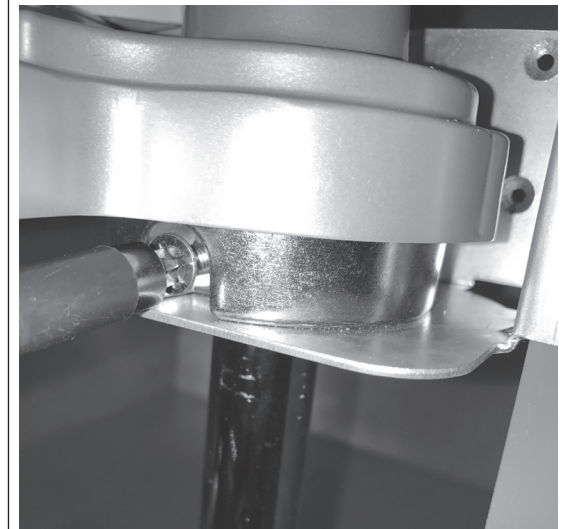
Place one of the Shelf Assemblies on top of the Lower Hub Assembly and secure in position by sliding the pole through the center, pushing firmly until the pole is at the bottom of the cabinet.

STEP 5 - Install Upper Hub Assembly



Slide the Upper Hub Assembly onto the pole and position the bottom of the bracket on the line drawn previously. Firmly secure with five #8 X 3/4" Flat Head Phillips Wood screws provided.

STEP 6 - Install Upper Shelf Assembly



Slide the Upper Shelf Assembly onto the pole. Securely tighten both hub set screws as shown.