

Scan to watch the installation video
<http://delivr.com/2QRX9>



Vanity Base Pullout Installation Instructions for the VBPO8-SC



IMPORTANT:

Before you begin, make sure you familiarize yourself with all the parts and fully read the instructions.

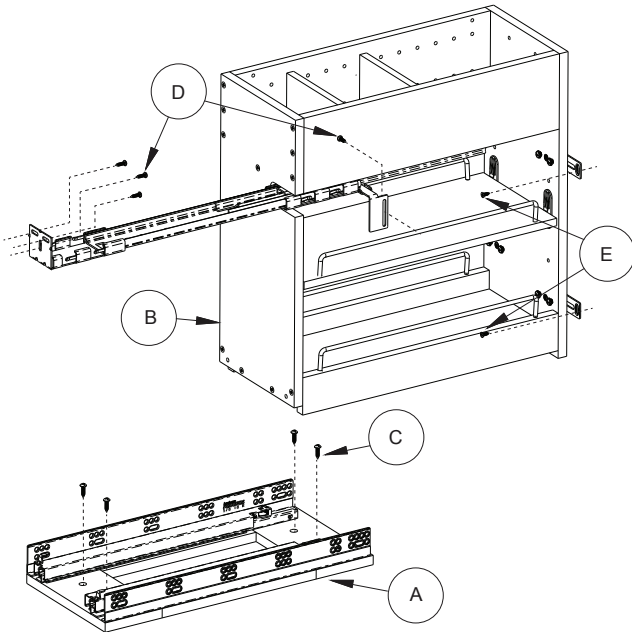
CUSTOMER SERVICE:

Toll-free customer help line available weekdays between 7:00am and 6:00pm Central Time at 800-463-0660.

TOOLS NECESSARY:

Screw gun or Phillips screwdriver and tape measure. NOTE: If screw gun has a clutch, set to lowest setting so as not to over tighten and/or strip screws.

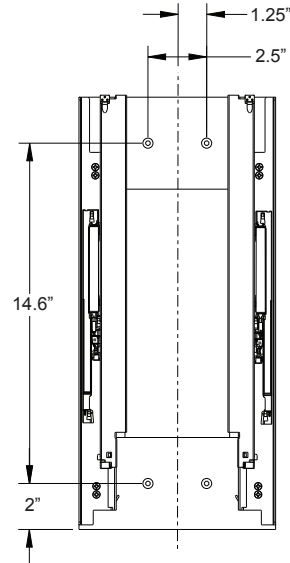
PARTS IDENTIFICATION:



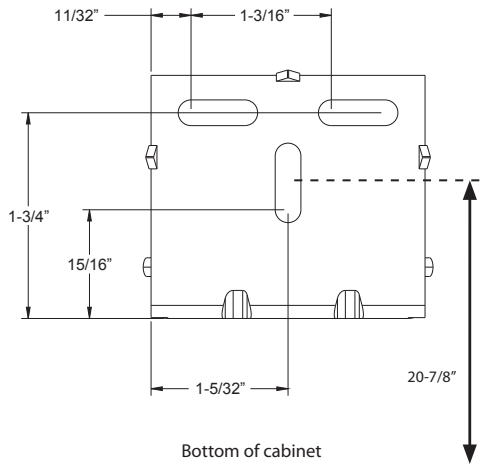
A	Mounting Base	1 pcs
B	Base Pullout Unit	1 pcs
C	#10 x 3/4" Pan Head Wood Screw	4 pcs
D	#8 x 5/8" Pan Head Wood Screw	4 pcs
E	#8 x 5/8" Flat Head Wood Screw	4 pcs

Bottom Measurements

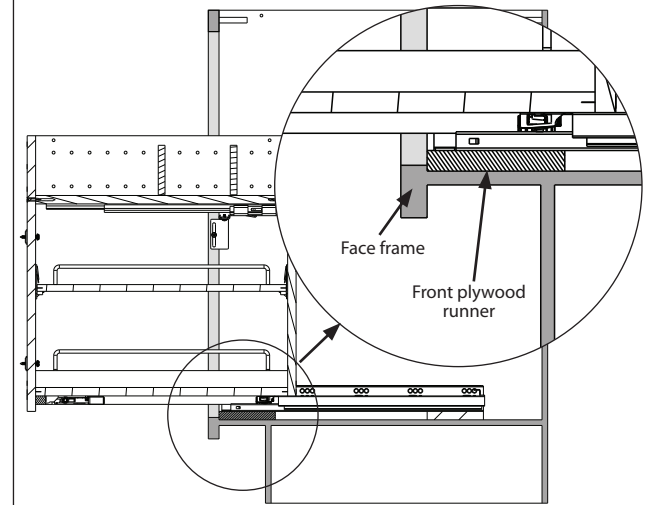
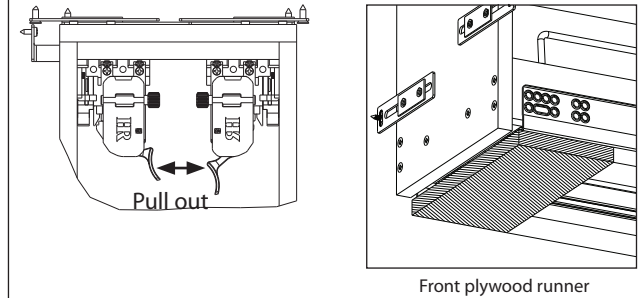
NOTE: Illustrations for measurement only.



Rear Bracket Measurements

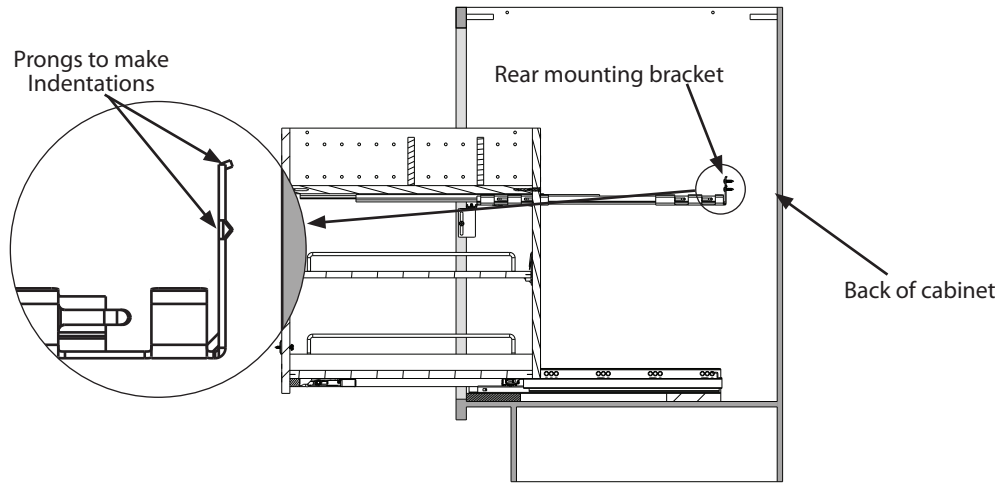


STEP 1 - Install Base



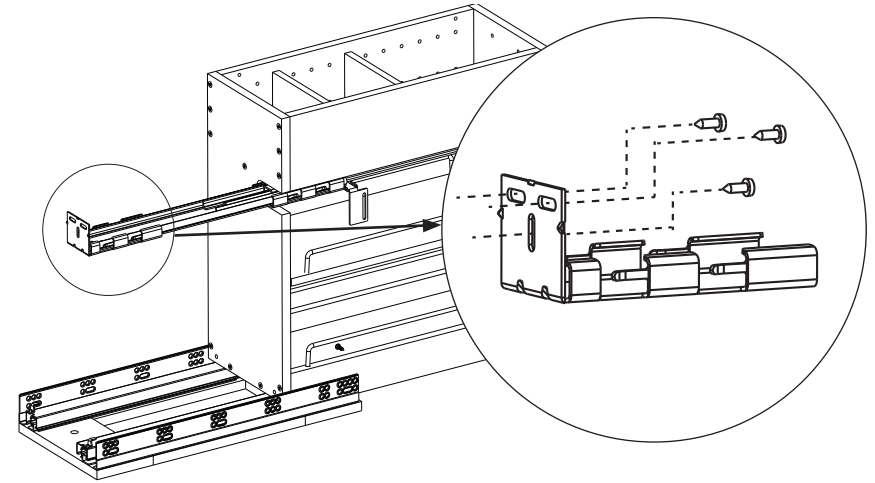
Remove the base from the unit by releasing the slide clips. In framed cabinets, center the unit in the opening making sure the front plywood runner is pulled tight against the back of the face frame. For frameless cabinets, place the unit within 1-1/2" of the left of the cabinet and the front plywood runner needs to be set back 3/4". Install with the four (4) #10 x 3/4" Pan Head Wood Screws provided in the four pre-drilled holes in the runners. Re-install the unit onto the slides.

STEP 2 - Mark Rear Mounting Bracket



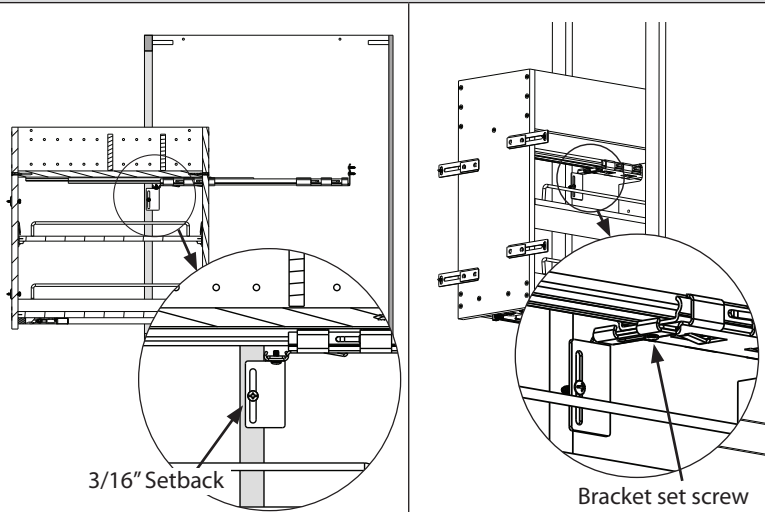
If the countertop is installed, pull the organizer partially open to gain access to the upper slide. Firmly grasping the upper slide, tap it against the back of the cabinet. The rear bracket should make small indentations in the back of the cabinet. Proceed to step 3. If countertop is not installed, pull the organizer partially out to gain access to the rear bracket and install three (3) #8 x 5/8" Pan Head Wood Screws provided in the slots. Proceed to step 4.

STEP 3 - Install Rear Mounting Bracket



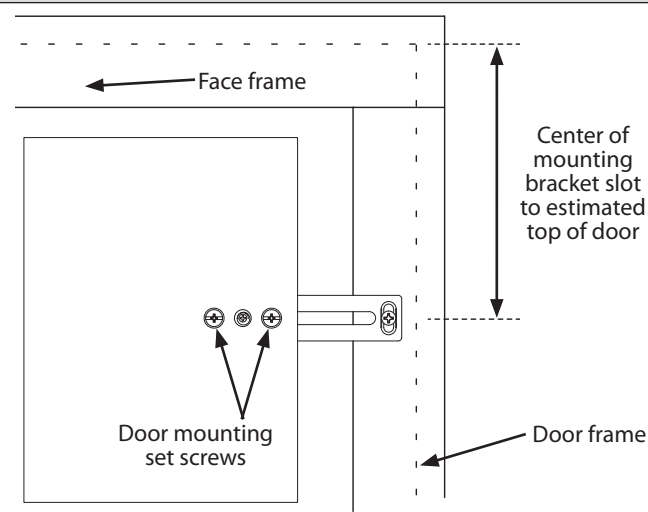
Remove the unit from the base again and then slide the rear mounting bracket off the slide. Align the rear bracket prongs with the indentation marks on the rear of the cabinet and secure with three (3) #8 x 5/8" Pan Head Wood Screws in the slots as shown. Re-install the unit onto the slides, making sure as you push it in the cabinet, that the top slide is properly seated into the rear mounting bracket. Operate the unit to make sure the undermount slides are working properly.

STEP 4 Install Pullout Unit



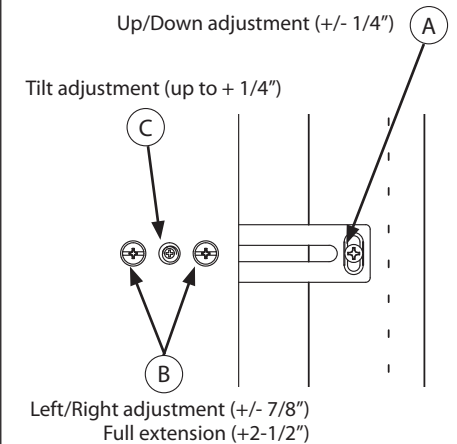
Pull the top front mounting bracket into position on the side of the face frame (or cabinet) allowing for a 3/16" setback (shown left above). Firmly secure with one (1) #8 x 5/8" Pan Head Wood Screw. Make sure the gap between the unit and the side of the face frame is equal from top to bottom. Adjust accordingly and then securely tighten the bracket set screw (shown right above). Operate the unit and make adjustments as necessary for the slides to operate smoothly.

STEP 5 Install Door



Loosen the door mounting set screws and slide bracket out to desired position to attach to the door rail. Measure from the center of the slot on the door mounting bracket to the estimated top of door. Mark door with measurement for both top brackets. Install door with the four (4) #8 x 5/8 Flat Head Phillips Wood Screws provided. (NOTE: DETERMINE CORRECT SCREW LENGTH TO DOOR PANEL THICKNESS)

STEP 6 Door Mounting Adjustments



To adjust door up or down loosen door mounting screws (A). To adjust left or right, loosen both set screws (B) adjust and retighten. To adjust tilt, loosen both set screws (B) and then turn tilt screw (C) clockwise to desired distance and then retighten set screws.