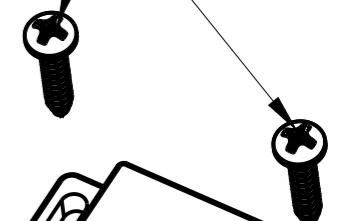
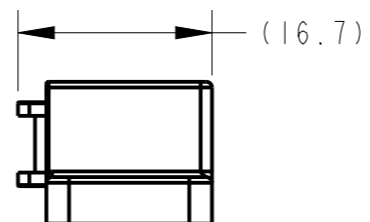
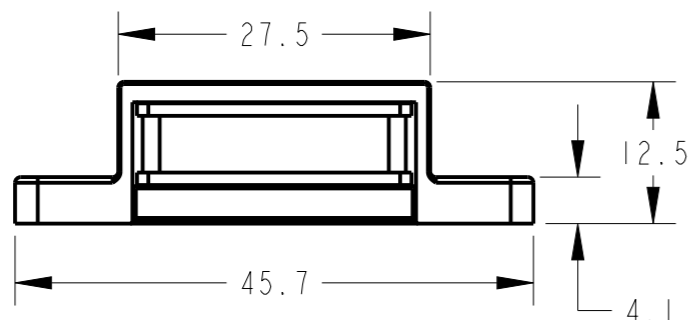
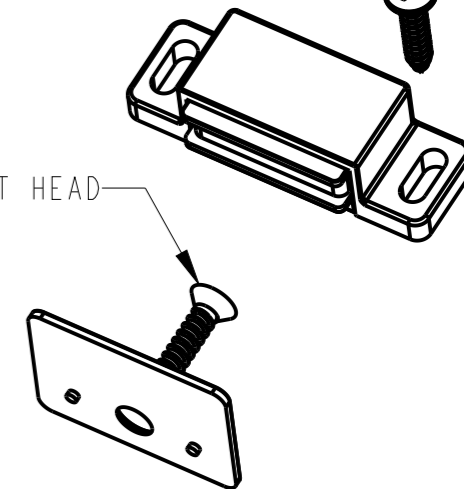


#6 X 3/4in PAN HEAD



#5 X 5/8in FLAT HEAD



HR ITEM NUMBER	HR ITEM NUMBER RETAIL	HR ITEM NUMBER BULK	PRODUCT DESCRIPTION	COLOR	PLATE
50632	50632-R	50636	MAGNETIC CATCH, SINGLE CATCH, MEDIUM DUTY	BROWN	BRONZE
50633	-	50634	MAGNETIC CATCH, SINGLE CATCH, MEDIUM DUTY	WHITE	POLISHED BRASS
50639	-	-	MAGNETIC CATCH, SINGLE CATCH, MEDIUM DUTY	WHITE	WHITE
50631	50631-R	50630	MAGNETIC CATCH, SINGLE CATCH, MEDIUM DUTY	WHITE	ZINC

hardware resources

HARDWARE RESOURCES RESERVES THE RIGHT TO CHANGE SPECIFICATIONS WITHOUT NOTICE. IN CASE OF A DISCREPANCY, ACTUAL PART GEOMETRY SUPERSEDES THIS DOCUMENT.

THE INFORMATION CONTAINED WITHIN THIS DRAWING IS THE SOLE PROPERTY OF HARDWARE RESOURCES INC. ANY REPRODUCTION IN PART OR WHOLE WITHOUT WRITTEN PERMISSION OF HARDWARE RESOURCES INC. IS PROHIBITED.

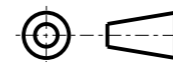
DOCUMENT STATUS Released

UNLESS OTHERWISE SPECIFIED DIMENSIONS ARE IN MILLIMETERS (MM)

MATERIAL
N/A

FINISH
SEE TABLE

THIRD ANGLE PROJECTION



DATE

03OCT2022

DESCRIPTION

MAGNETIC CATCH, SINGLE CATCH, MEDIUM DUTY

DRAWING NUMBER

50631-50632-50633-50639

REV

A

SIZE
A3

SCALE
1:500

SHEET
1 / 1