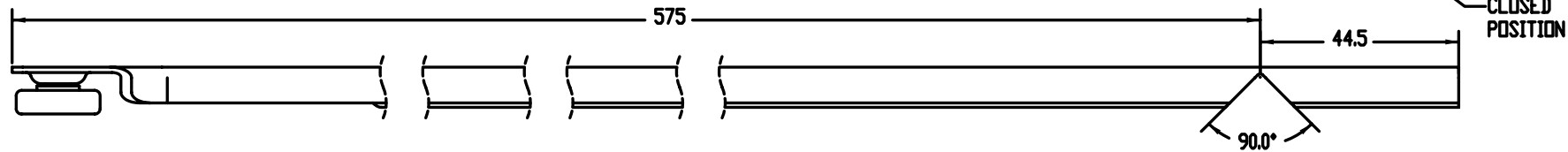
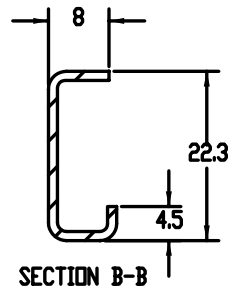
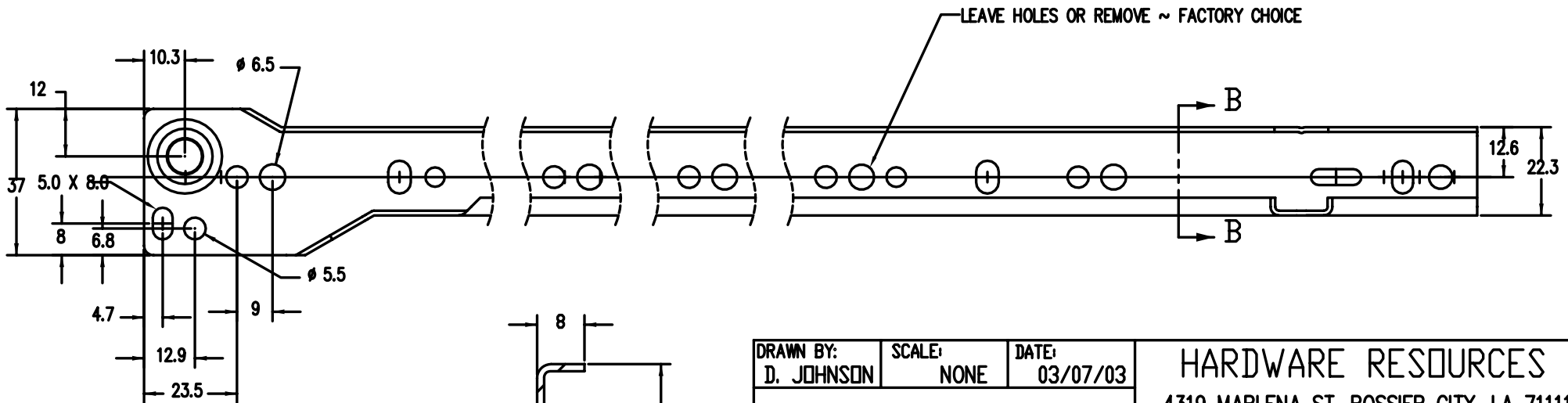


BENT POSITION ~ BENT BY FINAL CUSTOMER



STRAIGHT POSITION
SHIP FROM FACTORY STRAIGHT



SHT NO.	REV:
1 OF 1	A 03/07/03

DRAWN BY:	SCALE:	DATE:
D. JOHNSON	NONE	03/07/03

TOLERANCES
UNLESS OTHERWISE SPECIFIED
DIMENSIONS AND TOLERANCING
ARE IN MILLIMETERS (INCHES)

.X ±.1
.XX ±.03
.XXX ±.005

HARDWARE RESOURCES

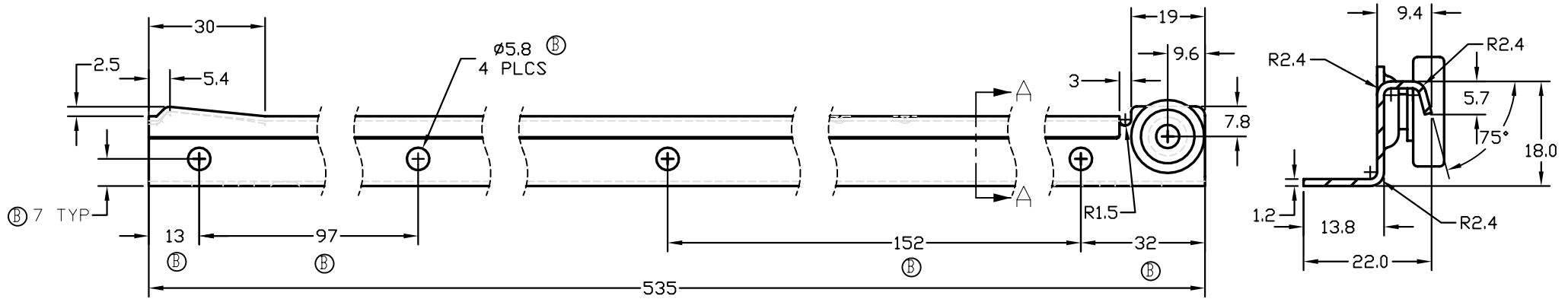
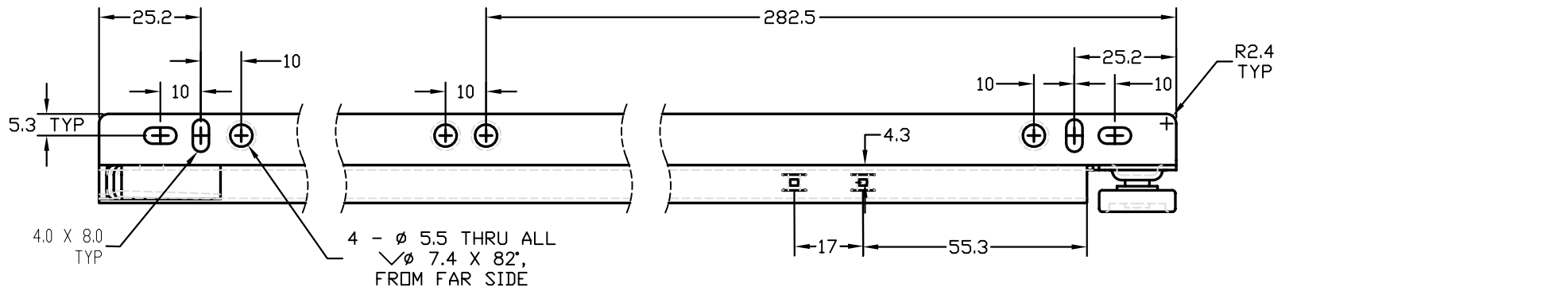
4319 MARLENA ST, BOSSIER CITY, LA 71111

PART NAME: 575mm "V" - NOTCH, NON-SELF CLOSING
SINGLE CAPTIVE SLIDE, NO BRACKET

MATERIAL:

ITEM NO: 41575A

PLATING:



SECTION A-A

PACKAGING INSTRUCTIONS

- 41575CL
- 41575CR - 100 PCS PER CARTON
- 41575DL
- 41575DR

SHT NO. 1 OF 1	B 07/23/03 A 03/0703
-------------------	-------------------------

DRAWN BY: D. JOHNSON	SCALE: NONE	DATE: 03/07/03	HARDWARE RESOURCES 4319 MARLENA ST, BOSSIER CITY, LA 71111
<p>TOLERANCES UNLESS OTHERWISE SPECIFIED DIMENSIONS AND TOLERANCING ARE IN MILLIMETERS (INCHES)</p> <p>.X ±.1 .XX ±.03 .XXX ±.005</p>			PART NAME: 575mm "V" NOTCH, NON-SELF CLOSING SINGLE CAPTIVE SLIDE, NO BRACKET
			MATERIAL: STEEL
			ITEM NO: 41575B
			PLATING: WHITE