

# 209FU Series

225 lb Extra Heavy Duty Full Extension Side Mount  
Ball Bearing Slides with 1" Overtravel

## Installation Instructions



### Parts Included:

2 pcs Drawer slides  
16 pcs Installation screws

### Tools Required:

Pencil  
Phillips Screwdriver  
Drill with 1/8" drill bit  
Level  
Tape Measure

### Cabinet & Drawer Requirements:

#### Side Clearance:

Measure the width of the opening and the width of the drawer box. **Opening – Drawer = 1-1/2" to 1-9/16"**

7/32" to 1/2" of clearance between the width of the cabinet space and the drawer per slide is required for installation.

! If the drawer box is not within these parameters, the drawer slide will not function correctly.

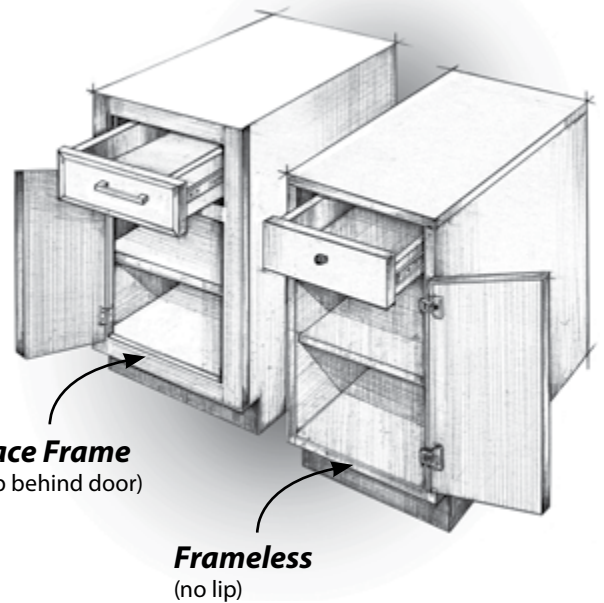
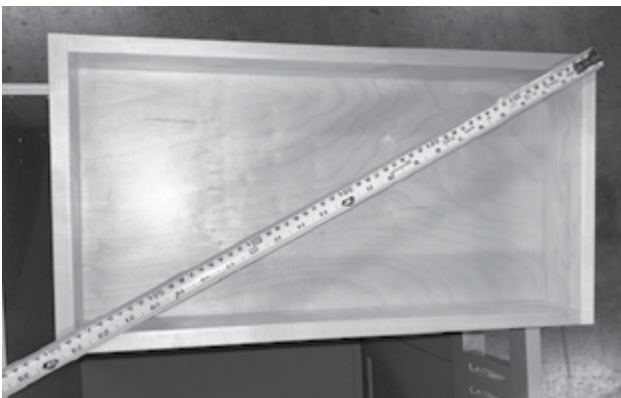


#### Cabinet and Drawer Measurements:

Ensure that the cabinet and drawer are both square by measuring the distance from the front of each side to the back of the opposite side of both the cabinet and drawer.

The maximum difference is 1/16"

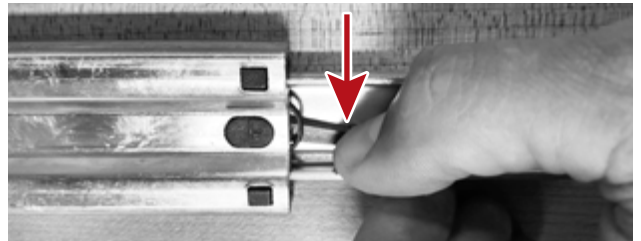
! If the difference is greater than 1/16" the slide will not work correctly.



## Frameless Cabinets

### Install slide in cabinet

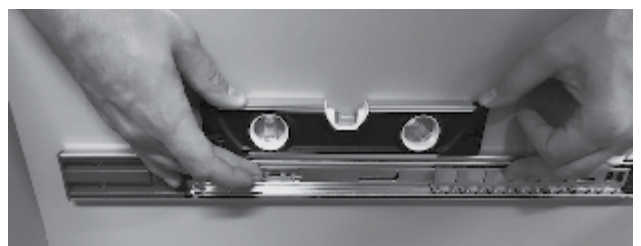
1. Separate the cabinet and drawer member of the slide by pressing the non-handed tripper disconnect release then pulling the two members apart.  
! Take note of how the slides are oriented, which will be necessary when reassembling the slide.  
! The section with the Star shaped hole is the drawer member and the section with the two sliding pieces is the cabinet member.



2. Measure from the top of the cabinet to the desired drawer location. Draw a level line on the inside of the cabinet where the top of the cabinet member will mount.

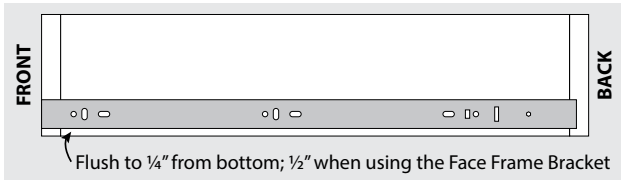


3. Use the line and a level to position the cabinet member to the side of the cabinet ensuring that the front of the member is flush with the front of the cabinet.



## Install slide to drawer

- Mount the drawer members to the drawer box sides flush with the front edge and between 1/4" and 1/2" from bottom edge depending on drawer height.
- ! Ensure the drawer members are parallel and level for optimal performance.



**hardware**  
**resources**<sup>®</sup>

Bossier City, LA | [www.HardwareResources.com](http://www.HardwareResources.com)

## Install drawer in cabinet

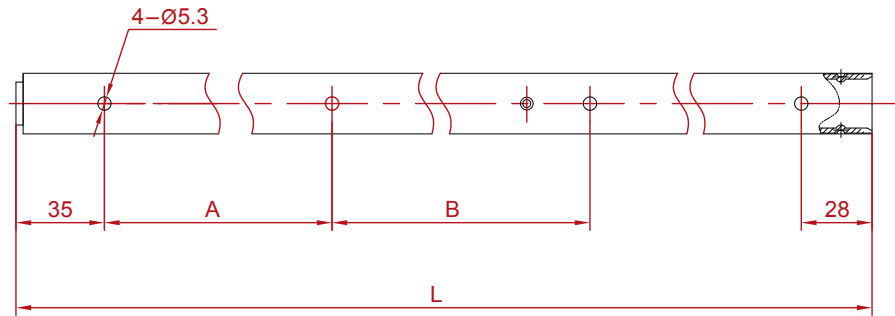
- Before installing the drawer to the cabinet, ensure that the ball bearing cage is located to the front of the cabinet member as shown below. Failure to do so may damage the cabinet member.



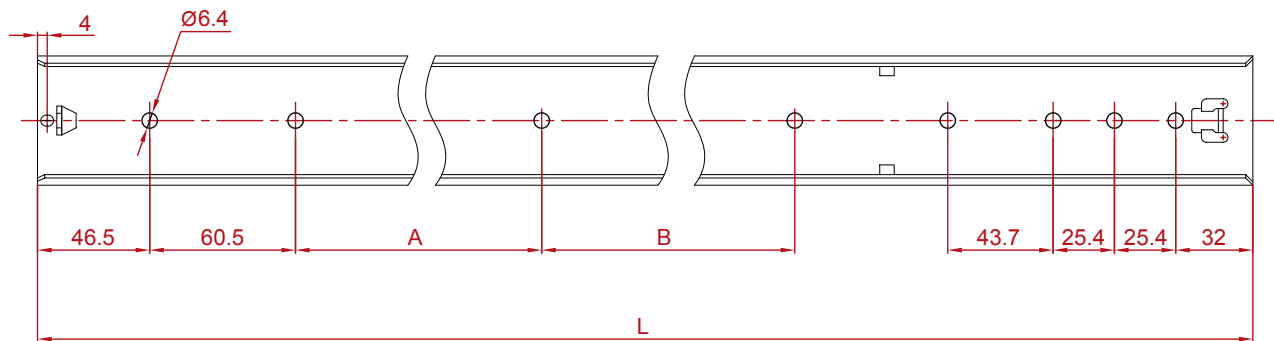
- Carefully insert the drawer members into the cabinet members and slide the drawer all the way back so that the drawer members are fully engaged.
- Cycle the drawer all the way in and back out 4 or 5 times so that the rear brackets are adjusted.

## Hole pattern drawings

### DRAWER MEMBER



### CABINET MEMBER



### DRAWER MEMBER

Specifications	L	A	B
209FU16 - 16"	404	96	128
209FU18 - 18"	455	96	224
209FU20 - 20"	506	96	224
209FU22 - 22"	557	96	288
209FU24 - 24"	608	160	292
209FU26 - 26"	659	160	292
209FU28 - 28"	710	160	356
209FU30 - 30"	761	160	356

all measurements shown in millimeters

### CABINET MEMBER

Specifications	L	A	B
209FU16 - 16"	406	-	-
209FU18 - 18"	457	128	-
209FU20 - 20"	508	128	-
209FU22 - 22"	559	128	96
209FU24 - 24"	610	160	128
209FU26 - 26"	661	160	128
209FU28 - 28"	712	160	160
209FU30 - 30"	763	160	160

all measurements shown in millimeters