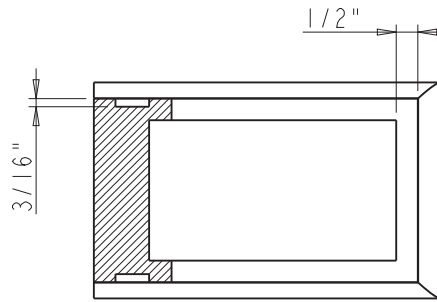
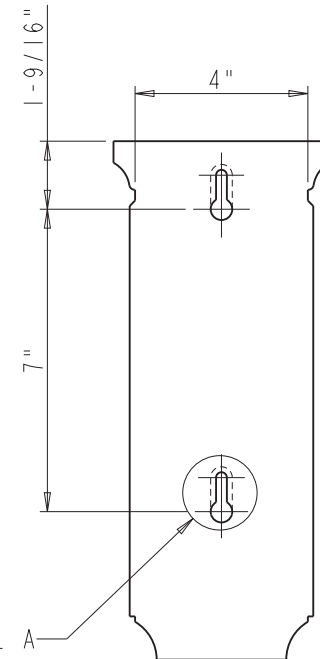
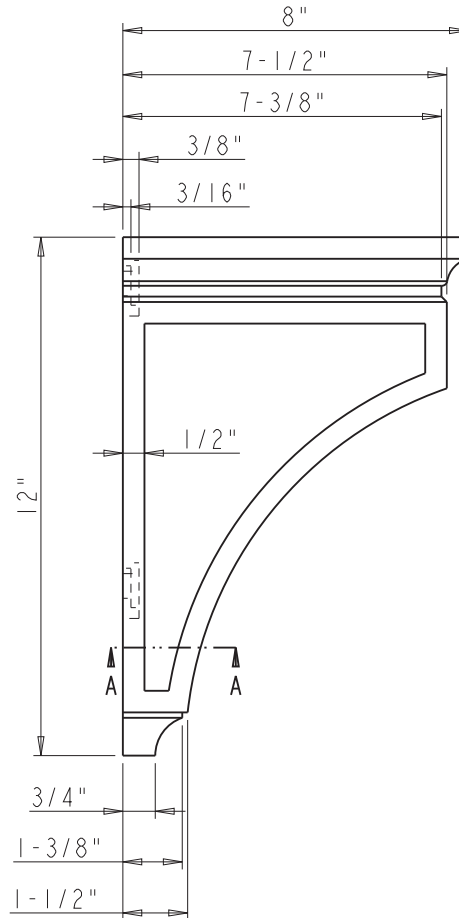
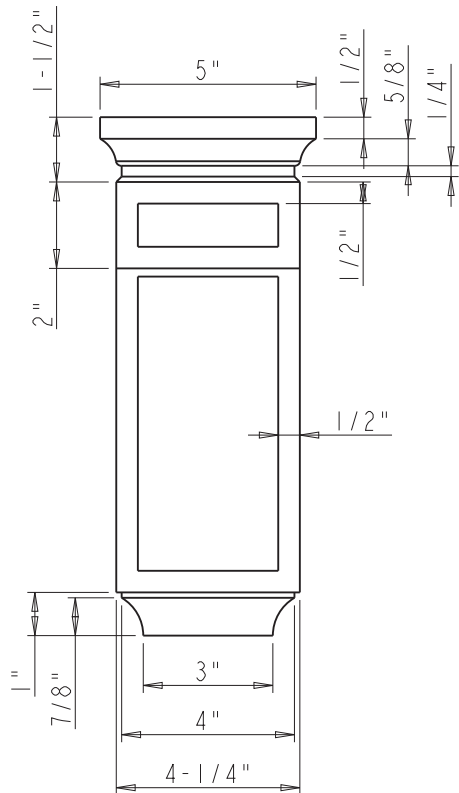
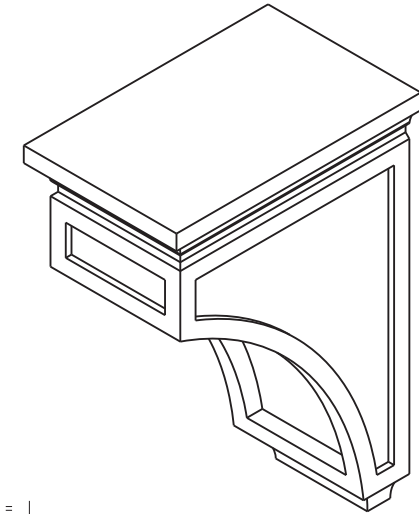


DETAIL A  
SCALE 3:5



SECTION A-A



SEE DETAIL A

	ITEM:	CORO-4		MATERIAL:
	FINISH:			WEIGHT:
<b>PROPRIETARY AND CONFIDENTIAL</b>  THE INFORMATION CONTAINED IN THIS DRAWING IS THE SOLE PROPERTY OF HARDWARE RESOURCES INC. ANY REPRODUCTION IN PART OR AS A WHOLE WITHOUT THE WRITTEN PERMISSION OF HARDWARE RESOURCES INC. IS PROHIBITED.	UNITS:	SIZE:	DRAWN BY:	DATE:
	TOLERANCE UNLESS OTHERWISE SPECIFIED: X ±0.20 XX ±0.10 XXX ±0.05 ANGULAR: ±0.6°	A4	APPROVED BY:	05-12-15
	DO NOT SCALE DRAWING	SHEET:	RELEASE LEVEL:	REVISION:
		1 OF 1		