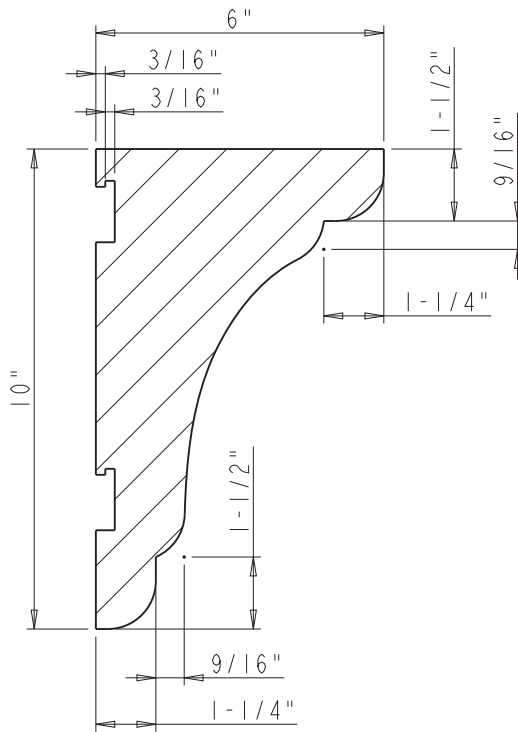
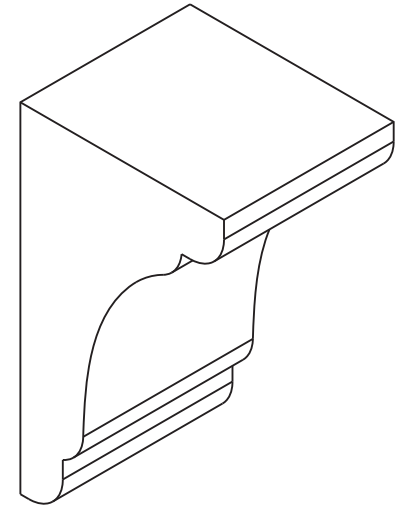
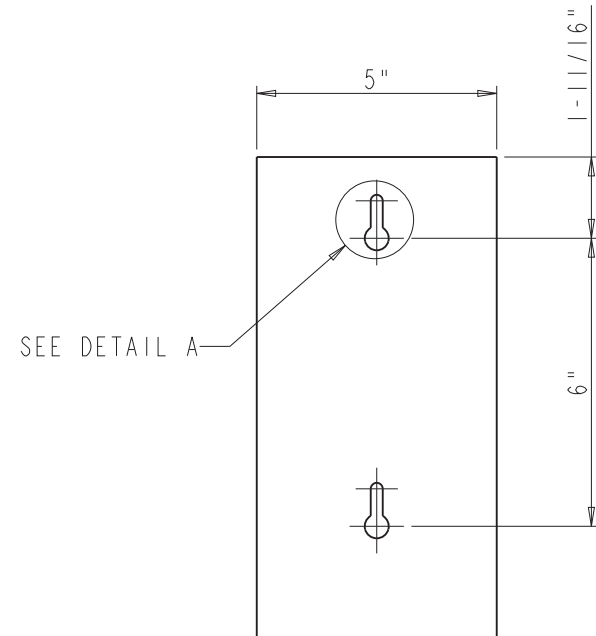


DETAIL A
SCALE 1:1



SECTION A-A



	ITEM:	COR33-2		MATERIAL:
	FINISH:			WEIGHT:
PROPRIETARY AND CONFIDENTIAL THE INFORMATION CONTAINED IN THIS DRAWING IS THE SOLE PROPERTY OF HARDWARE RESOURCES INC. ANY REPRODUCTION IN PART OR AS A WHOLE WITHOUT THE WRITTEN PERMISSION OF HARDWARE RESOURCES INC. IS PROHIBITED.	UNITS: X ±0.20 XX ±0.10 XXX ±0.05 ANGULAR: ±0.5°	SIZE: A4	DRAWN BY: <i>Hugo Cal</i>	DATE: 11-06-14
DO NOT SCALE DRAWING	SHEET: 1 OF 1	APPROVED BY:	RELEASE LEVEL:	REVISION: