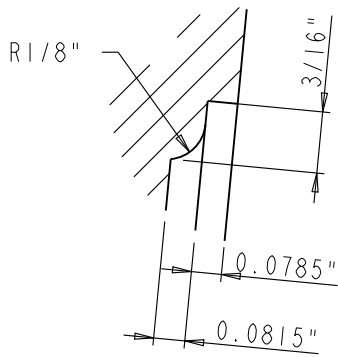
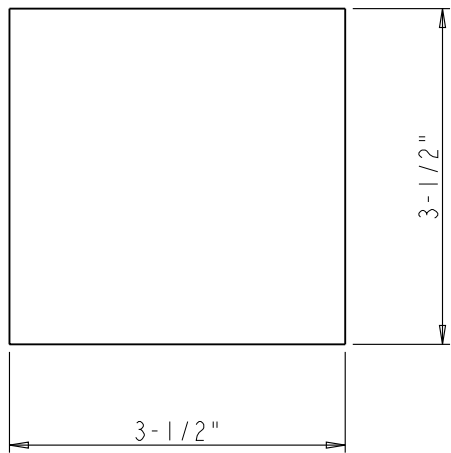


SECTION A-A



DETAIL A
SCALE 2:1

| | | | | | |
|--|---|-------------|-------------|---------------------------|-------|
| | ITEM: BF 40 | | MATERIAL: | | |
| | FINISH: | | WEIGHT: 9 | | |
| PROPRIETARY AND CONFIDENTIAL THE INFORMATION CONTAINED IN THIS DRAWING IS THE SOLE PROPERTY OF HARDWARE RESOURCES INC. ANY REPRODUCTION IN PART OR AS A WHOLE WITHOUT THE WRITTEN PERMISSION OF HARDWARE RESOURCES INC. IS PROHIBITED. | TOLERANCE UNLESS OTHERWISE SPECIFIED: X: MM ±0.20 XX: MM ±0.10 XXX: MM ±0.05 ANGULAR: ±0.5° DO NOT SCALE DRAWING | | UNIT: | DRAWN BY: <i>alan.liu</i> | DATE: |
| | SIZE: | CHECKED BY: | PROJECTION: | | |
| | APPROVED BY: | | DATE: | | |