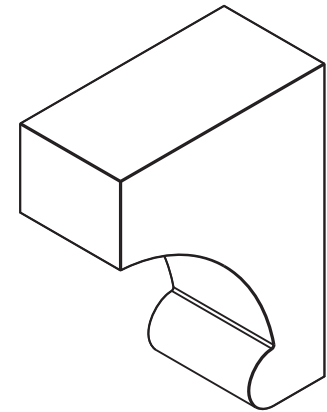
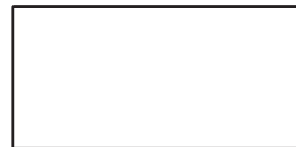
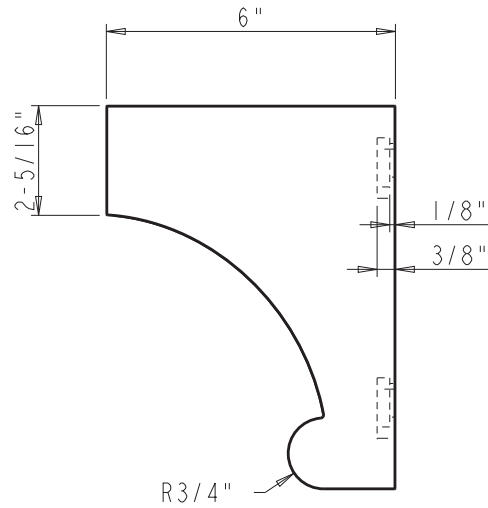


DETAIL A
SCALE 1:2



	ITEM#: COR47-1		MATERIAL: PTC_MATERIAL_NAME		
	FINISH:		WEIGHT: 0.000 g		
PROPRIETARY AND CONFIDENTIAL THE INFORMATION CONTAINED IN THIS DRAWING IS THE SOLE PROPERTY OF HARDWARE RESOURCES INC. ANY REPRODUCTION IN PART OR AS A WHOLE WITHOUT THE WRITTEN PERMISSION OF HARDWARE RESOURCES INC. IS PROHIBITED.	TOLERANCE UNLESS OTHERWISE SPECIFIED: X ±0.20 XX ±0.10 XXX ±0.05 ANGULAR: ±0.6°		UNITS:	DRAWN BY: <i>Hugo.cai</i>	DATE: 08-14-15
	DO NOT SCALE DRAWING		SIZE: A4	APPROVED BY:	DATE:
			SHEET: 1 OF 1	RELEASE LEVEL:	REVISION: