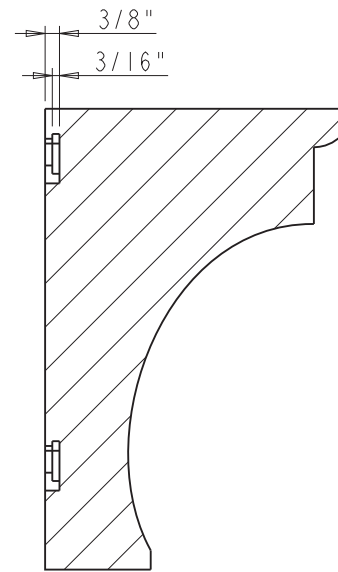
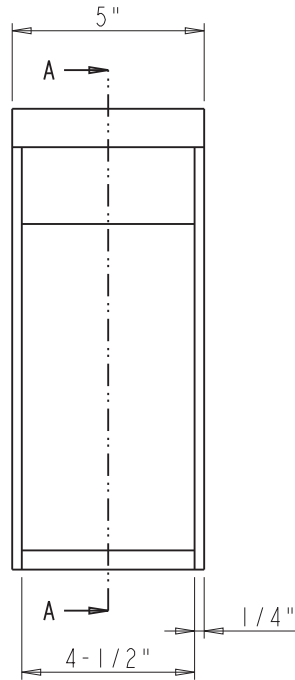
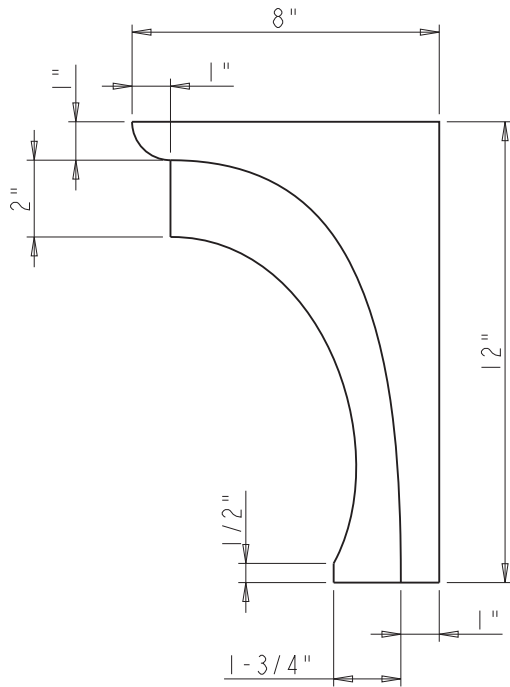
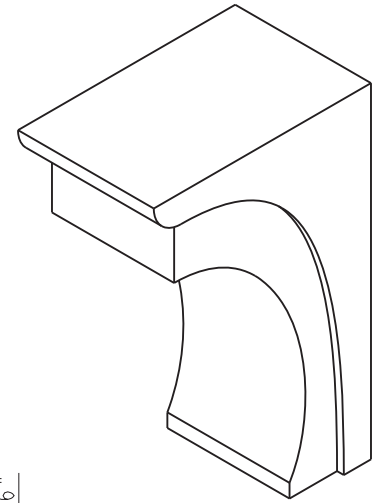
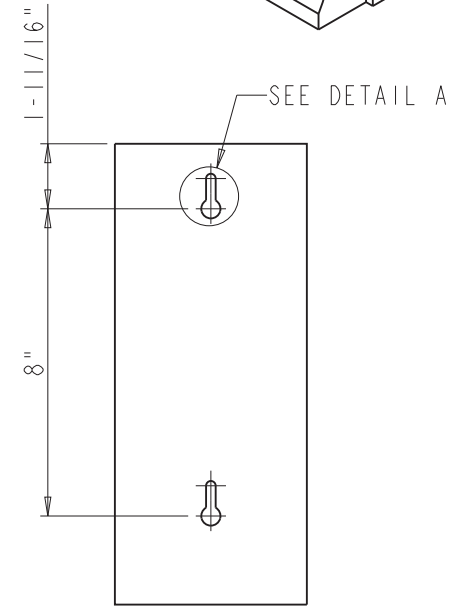


DETAIL A
SCALE 4:5



SECTION A-A



	ITEM:	COR36-3		MATERIAL:	
	FINISH:			WEIGHT: 0.000 g	
PROPRIETARY AND CONFIDENTIAL THE INFORMATION CONTAINED IN THIS DRAWING IS THE SOLE PROPERTY OF HARDWARE RESOURCES INC. ANY REPRODUCTION IN PART OR AS A WHOLE WITHOUT THE WRITTEN PERMISSION OF HARDWARE RESOURCES INC. IS PROHIBITED.	TOLERANCE UNLESS OTHERWISE SPECIFIED: X ±0.20 XX ±0.10 XXX ±0.05 ANGULAR: ±0.5°		UNITS: SIZE: A4 SHEET: 1 OF 1	DRAWN BY: <i>Hugo.cai</i> APPROVED BY: RELEASE LEVEL:	DATE: 12-16-14 DATE: REVISION:
	DO NOT SCALE DRAWING				