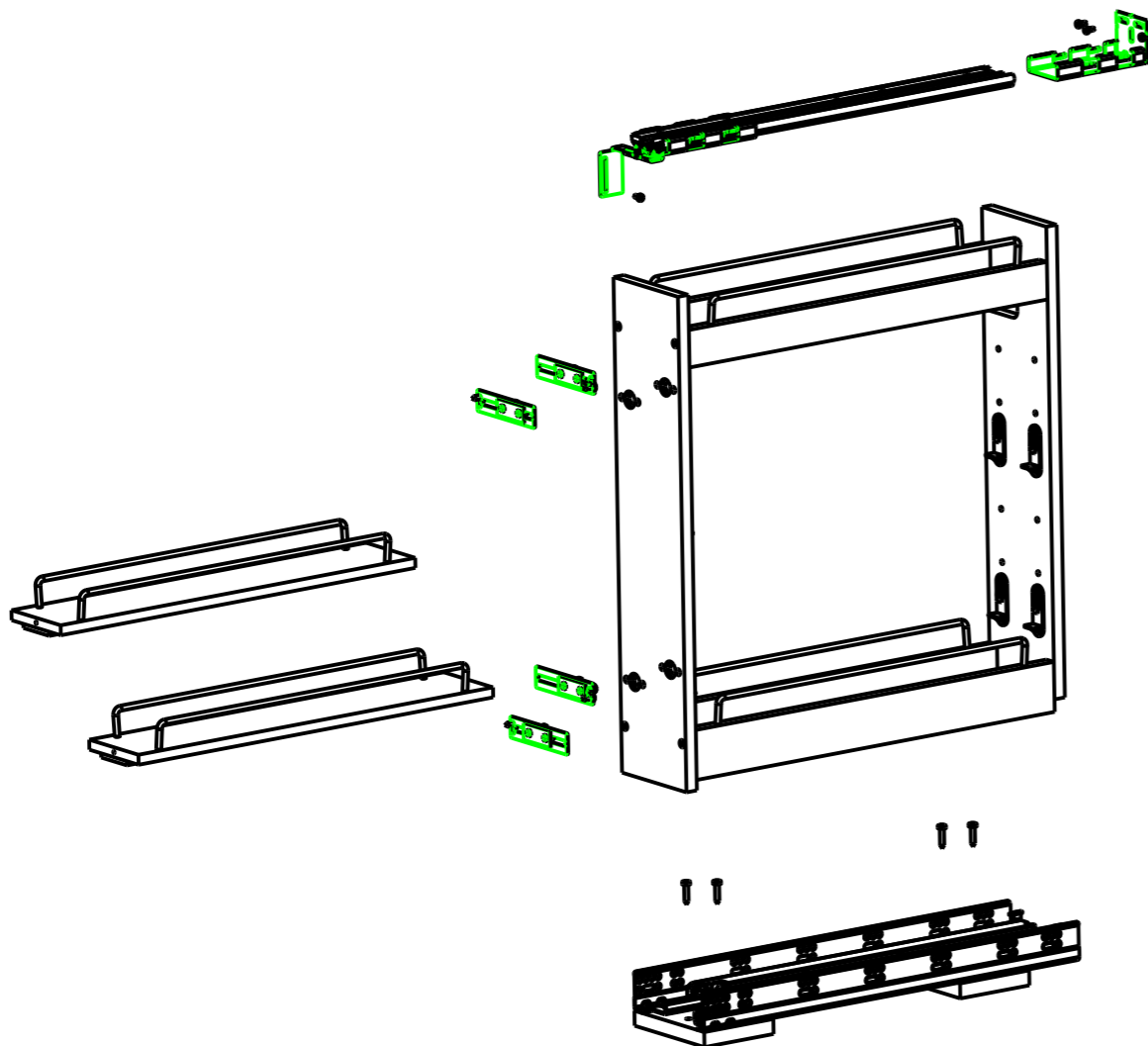


REVISION RECORD / 修订记录				
ECN NUMBER / 工程变更通知编号	REV / 修订版本	DESCRIPTION / 产品描述	DATE / 日期	APPROVED / 批准
	00	INITIAL ENGINEERING RELEASE	05MAY16	A. CHEN
	01	UPDATED SECTION E-E	12MAY16	A. CHEN
	02	1. ADDED SHEET 3 FOR SECTION E-E	13MAY16	A. CHEN



FINISHED GOODS TABLE	
HR ITEM NUMBER	DESCRIPTION
BPO2-5SC	BASE CABINET PULLOUT, G2, WIDTH 5 WITH SOFT CLOSE FEATURE
BPO2-8SC	BASE CABINET PULLOUT, G2, WIDTH 8 WITH SOFT CLOSE FEATURE
BPO2-11SC	BASE CABINET PULLOUT, G2, WIDTH 11 WITH SOFT CLOSE FEATURE
BPO2-14SC	BASE CABINET PULLOUT, G2, WIDTH 14 WITH SOFT CLOSE FEATURE
BPO2-5	BASE CABINET PULLOUT, G2, WIDTH 5 WITHOUT SOFT CLOSE FEATURE
BPO2-8	BASE CABINET PULLOUT, G2, WIDTH 8 WITHOUT SOFT CLOSE FEATURE
BPO2-11	BASE CABINET PULLOUT, G2, WIDTH 11 WITHOUT SOFT CLOSE FEATURE
BPO2-14	BASE CABINET PULLOUT, G2, WIDTH 14 WITHOUT SOFT CLOSE FEATURE

UNLESS OTHERWISE SPECIFIED DIMENSIONS ARE IN MILLIMETERS (MM) 默认尺寸为毫米 (MM)	
GENERAL TOLERANCES / 未注公差	
0.00 - 14.99	± 0.10
15.00 - 39.99	± 0.20
40.00 - 74.99	± 0.30
75.00 - 99.99	± 0.45
100.00 - 199.99	± 0.70
200.00 - 299.99	± 1.00
300.00 -	± 1.10
ANGLE / 角度	± 1.0°

THIRD ANGLE PROJECTION / 第三视角	
MATERIAL / 材料	FINISH / 表面处理
NA	NA
DRAWN BY / 绘图	DATE / 日期
A. CHEN	05MAY16
DESIGNED BY / 设计	DATE / 日期
A. CHEN	05MAY16
APPROVED BY / 批准	DATE / 日期
	05MAY16

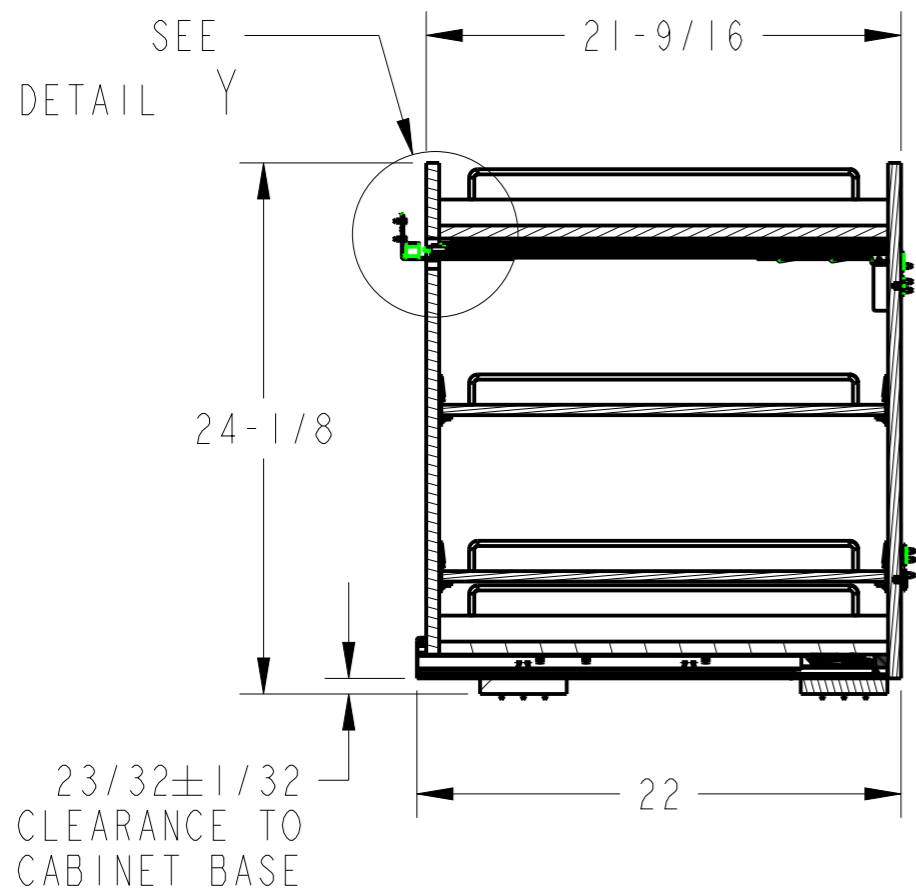
DESCRIPTION / 产品描述		
BASE CABINET PULLOUT G2		
DRAWING NUMBER / 图号	REV / 修订版本	
BPO2	02	
SIZE / 尺寸	SCALE / 比例	SHEET / 页数
A3	0.089	1 / 3

DOCUMENT STATUS / 版本

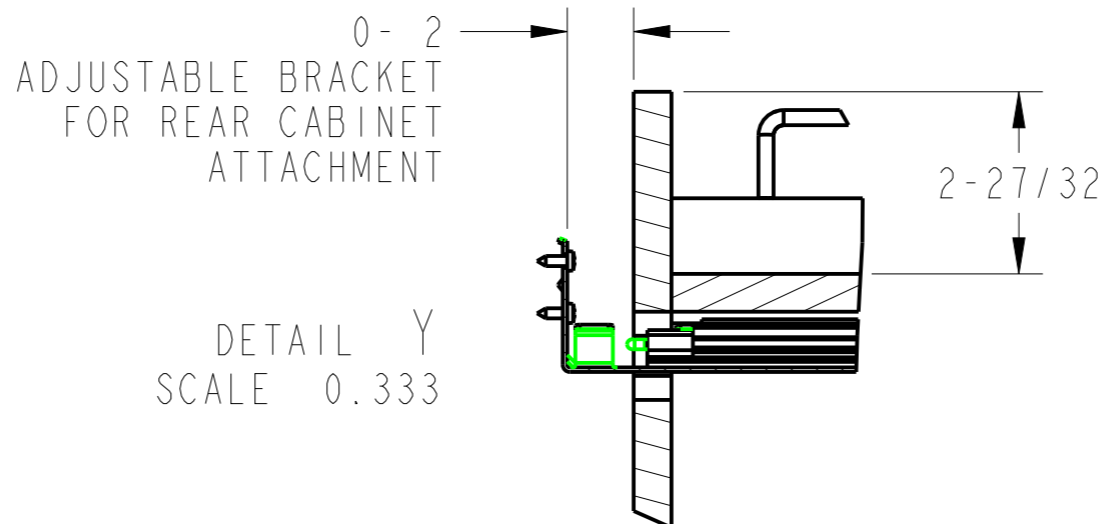
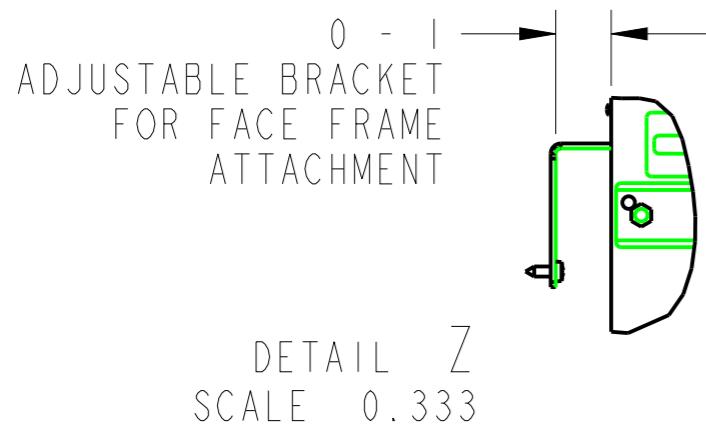
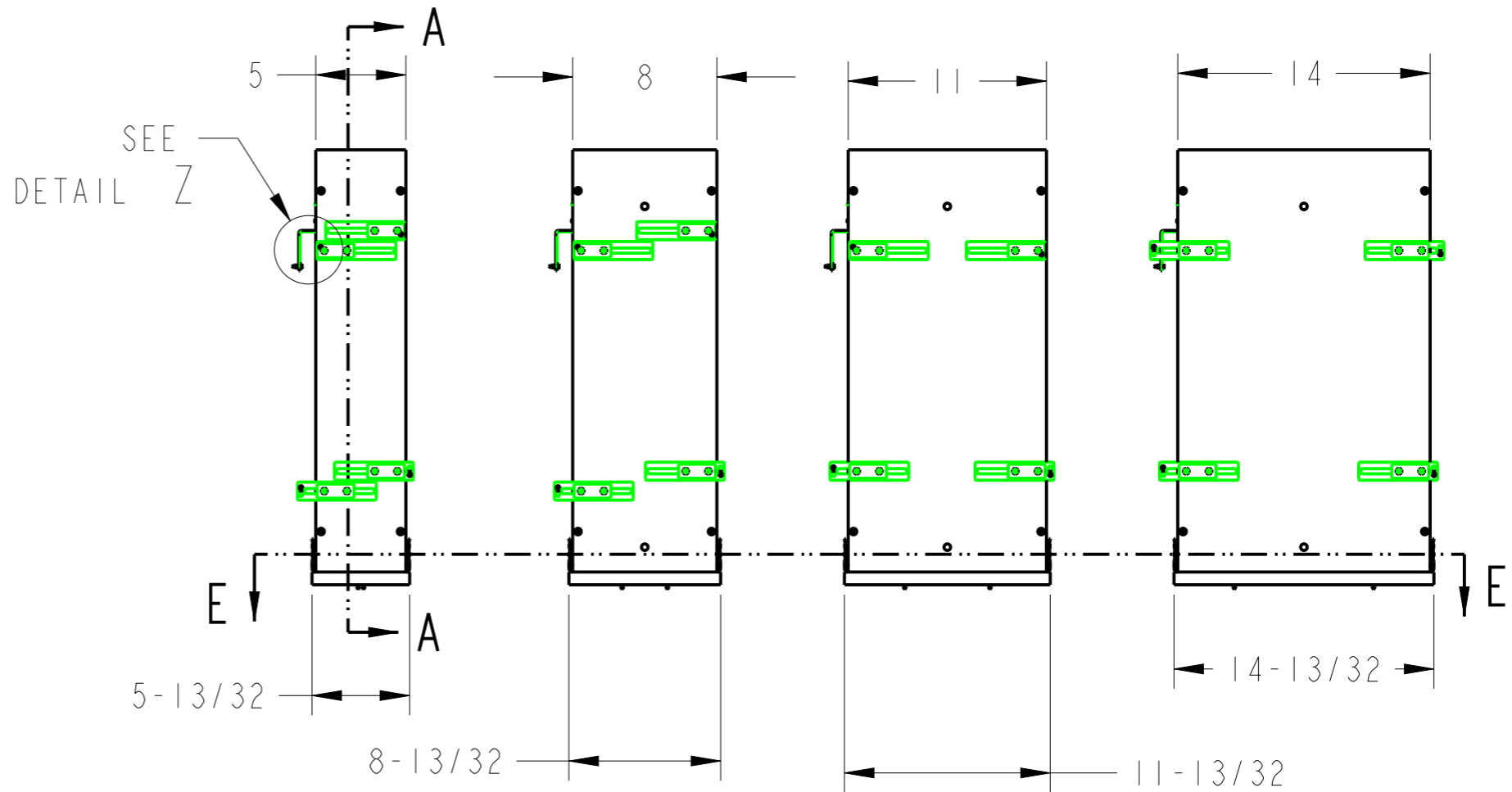
DIMENSIONS OR FEATURES WITH * ARE CRITICAL / * 标记为重要尺寸

THE INFORMATION CONTAINED WITHIN THIS DRAWING IS THE SOLE PROPERTY OF HARDWARE RESOURCES INC. ANY REPRODUCTION IN PART OR WHOLE WITHOUT WRITTEN PERMISSION OF HARDWARE RESOURCES INC. IS PROHIBITED.

此图纸所有权归HARDWARE RESOURCES INC. 所有, 未经允许任何组织和个人不准使用

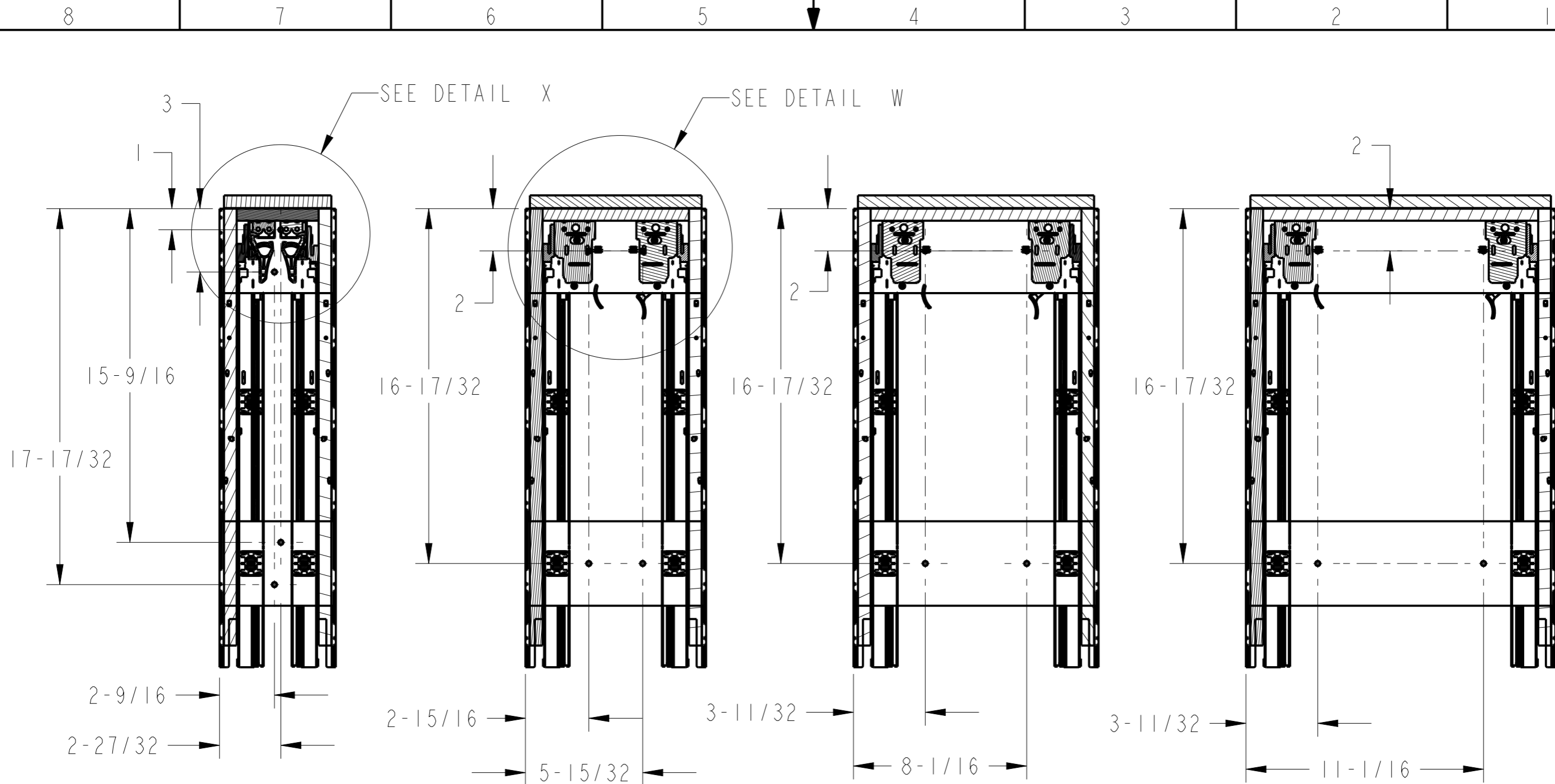


SECTION A-A

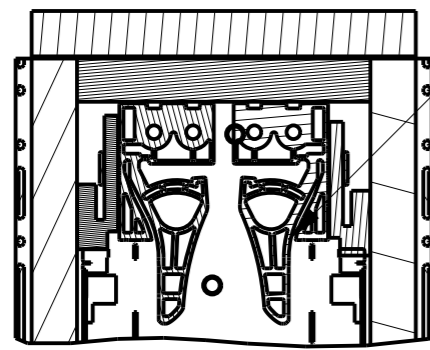


DRAWING NUMBER / 图号 BPO2		REV / 修订版本 02
SIZE / 尺寸 A3	SCALE / 比例 0.115	SHEET / 页数 2 / 3

DOCUMENT STATUS / 版本

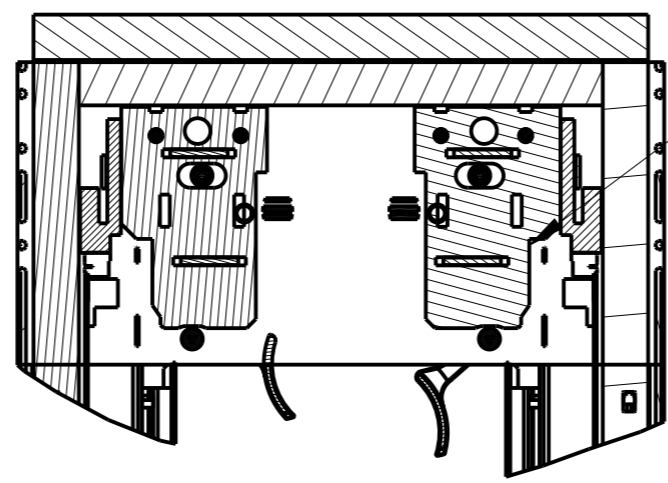


SECTION E-E
SCALE 0.200



TWO WAY
ADJUSTABLE
NARROW CLIP
(FOR SIZE 5")

DETAIL X
SCALE 0.400



FOUR WAY
ADJUSTABLE
CLIP
(FOR SIZE 8", 11", 14")

DETAIL W
SCALE 0.400

DRAWING NUMBER / 图号 BPO2		REV / 修订版本 02
SIZE / 尺寸 A3	SCALE / 比例 0.200	SHEET / 页数 3 / 3

DOCUMENT STATUS / 版本