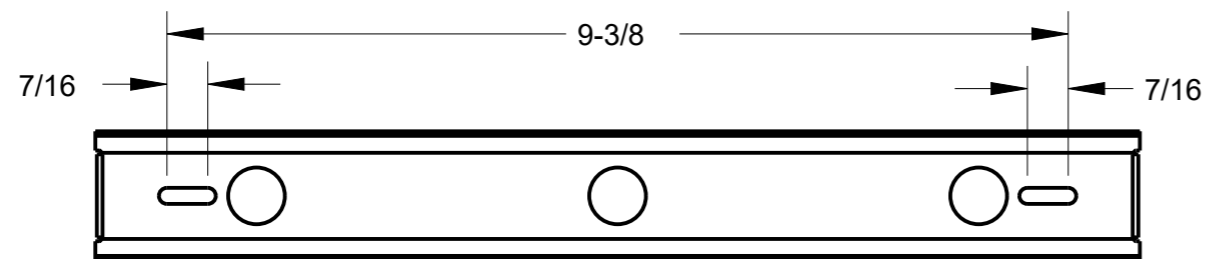
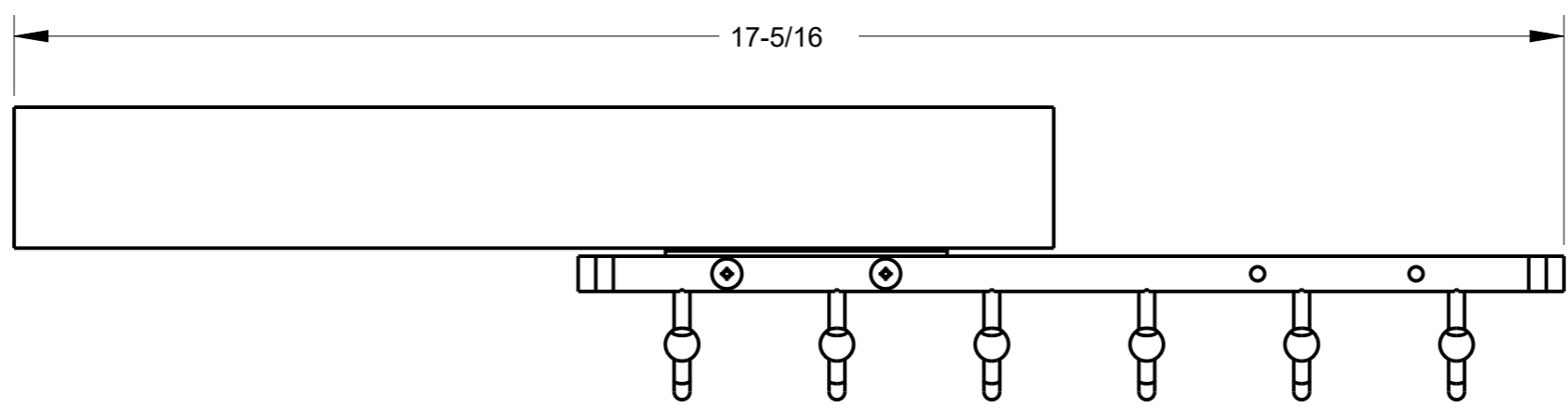
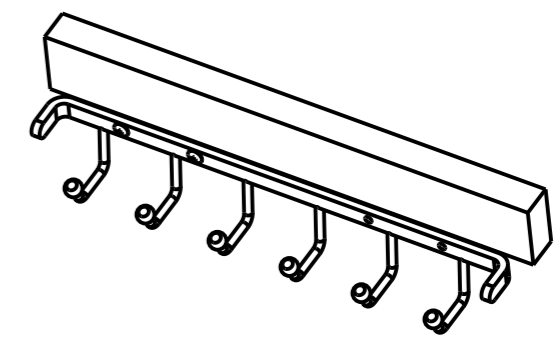
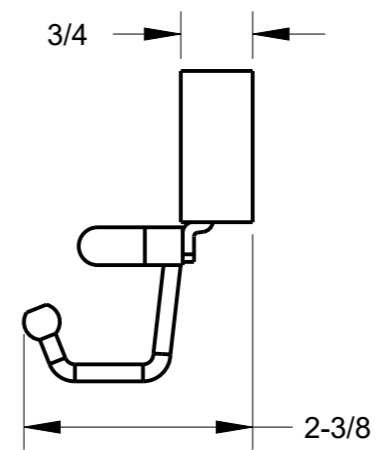
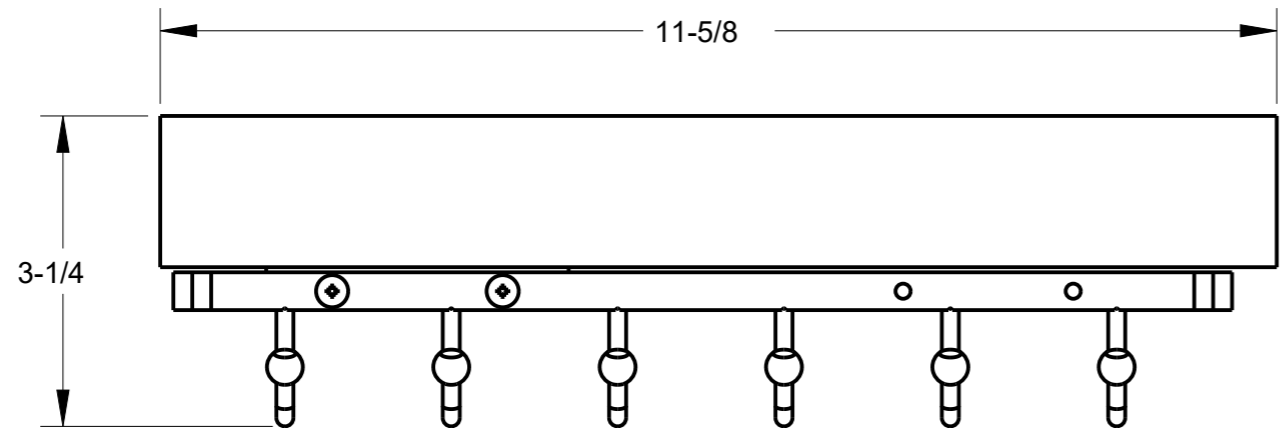


8 7 6 5 4 3 2 1

F

NOTES:
1. SEE DRAWING 296 FOR BELT RACK DETAILS.



MOUNTING HOLES

HR ITEM NUMBER	FINISH
295B-DBAC	BRUSHED OIL RUBBED BRONZE
295B-PC	POLISHED CHROME
295B-MB	MATTE BLACK

A



HARDWARE RESOURCES RESERVES THE RIGHT TO CHANGE SPECIFICATIONS WITHOUT NOTICE. IN CASE OF A DISCREPANCY, ACTUAL PART GEOMETRY SUPERSEDES THIS DOCUMENT.

THE INFORMATION CONTAINED WITHIN THIS DRAWING IS THE SOLE PROPERTY OF HARDWARE RESOURCES INC. ANY REPRODUCTION IN PART OR WHOLE WITHOUT WRITTEN PERMISSION OF HARDWARE RESOURCES INC. IS PROHIBITED.

DOCUMENT STATUS Released	
UNLESS OTHERWISE SPECIFIED DIMENSIONS ARE IN INCHES (IN)	
MATERIAL N/A	FINISH SEE TABLE
THIRD ANGLE PROJECTION	DATE 01MAR2023

DESCRIPTION		
SLIDING RACKS, BELT RACK, 12in		
DRAWING NUMBER 295B		REV B
SIZE A3	SCALE 0.500	SHEET 1 / 1

8 7 6 5 4 3 2 1