

## IMPORTANT:

Before you begin, make sure you familiarize yourself with all the parts and fully read the instructions.

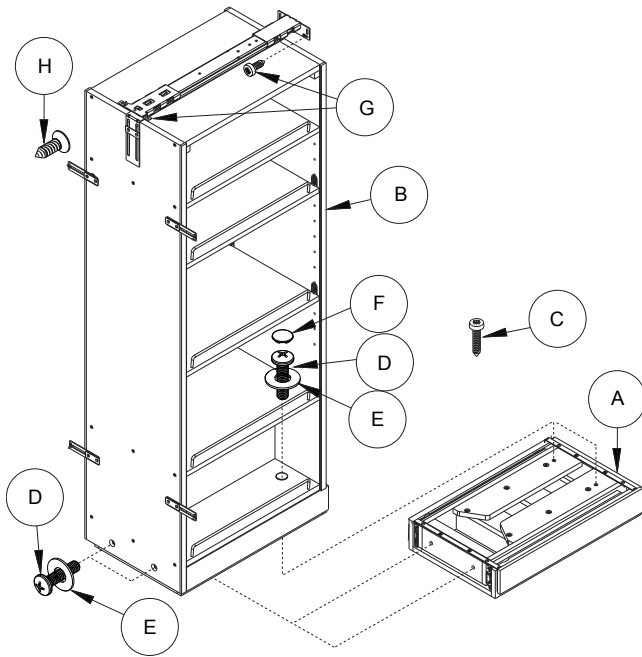
## CUSTOMER SERVICE:

Toll-free customer help line available weekdays between 7:00am and 6:00pm CST at 800-463-0660.

## TOOLS NECESSARY:

Screw gun, Phillips screwdriver, tape measure and square.  
NOTE: If screw gun has a clutch, set to lowest setting so as not to over tighten and/or strip screws.

## PARTS IDENTIFICATION:



A	Mounting Base	1 pcs
B	Pantry Pullout Unit	1 pcs
C	#10 x 1-1/2" Pan Head Phillips Wood Screw	4 pcs
D	5/16-18 x 1.25 Pan Head Phillips Machine Screw	4 pcs
E	#18 x 5/16 Metal Washer	4 pcs
F	Almond Snap-in Cover	2 pcs
G	#8 x 5/8 Pan Head Phillips Wood Screw	8 pcs
H	#8 x 5/8 Flat Head Phillips Wood Screw	4 pcs

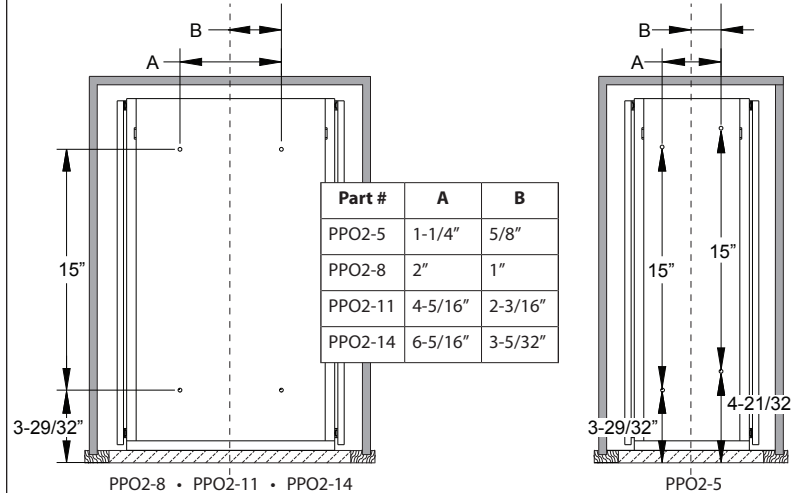
# Pantry Pullout Installation Instructions for the PPO2 Series

hardware  
**resources**™

## STEP 1 - Measure and mark for installation

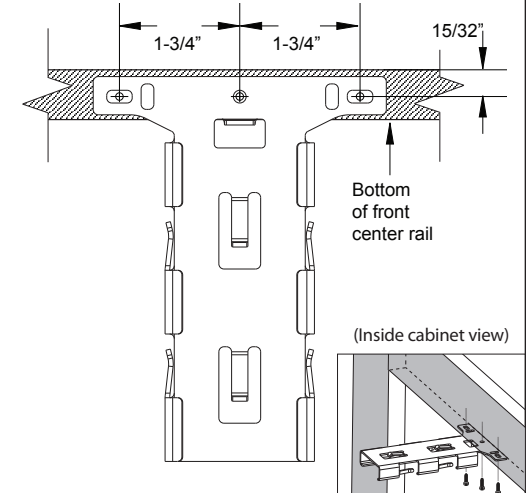
NOTE: Illustrations for measurement only. Installation of brackets and mounts will begin in Step 2

### Bottom measurements



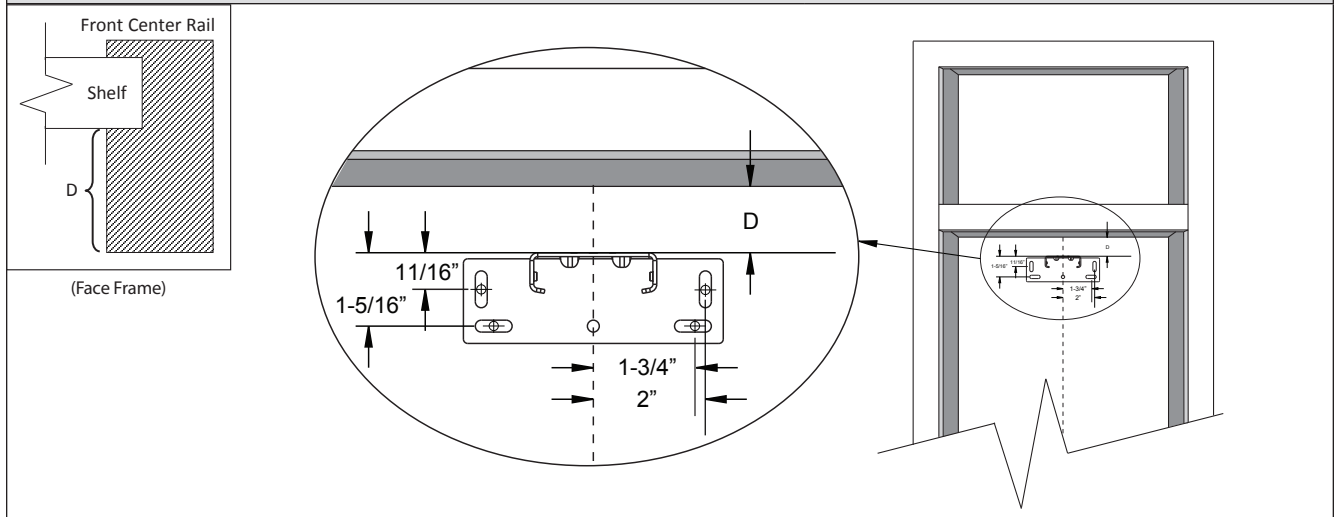
Measure and mark center line of cabinet bottom.

### Cabinet Rail Bracket Measurements



Mark center of cabinet rail for screw placement.

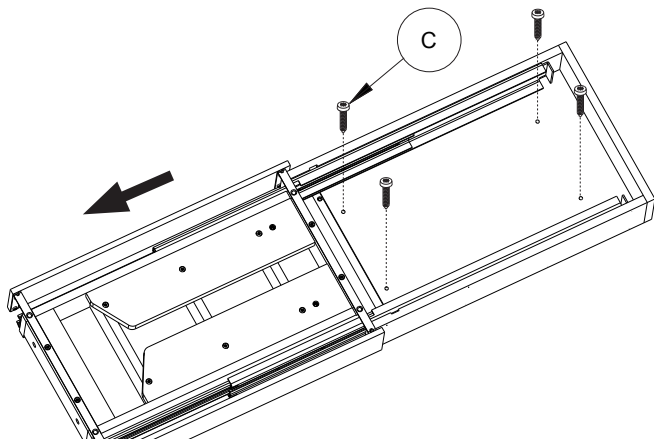
### Rear Bracket Measurements



(Face Frame) Measure the reveal behind the center rail (D) and add to the measurements shown.

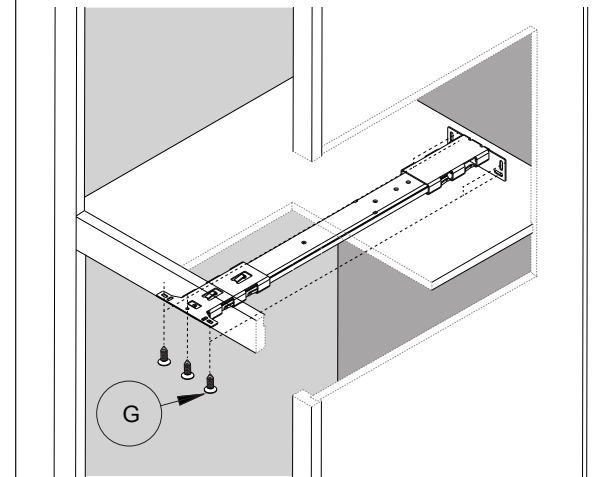
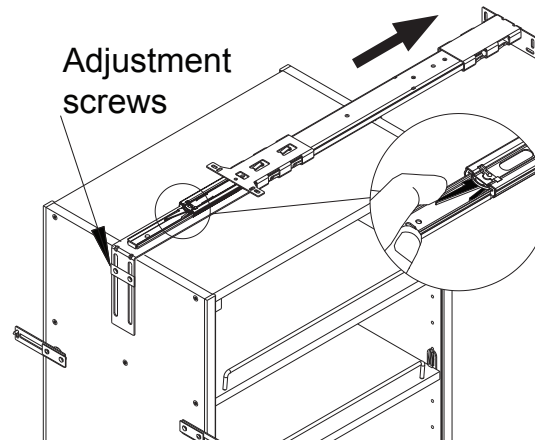
(Frameless) Measure and mark from center line as shown.

## STEP 2 - Install Mounting Base



Place Mounting Base in cabinet and align with marks from Step 1. Pull back the top of the unit until the rear two holes are accessible and then securely fasten with two (2) -- #10 x 1-1/2" Pan Head Phillips Wood Screws provided. Pull top of unit out until the front screw holes are accessible and install with remaining #10 x 1-1/2" Pan Head Phillips Wood Screws provided.

## STEP 3 - Install Top Mounting Bracket

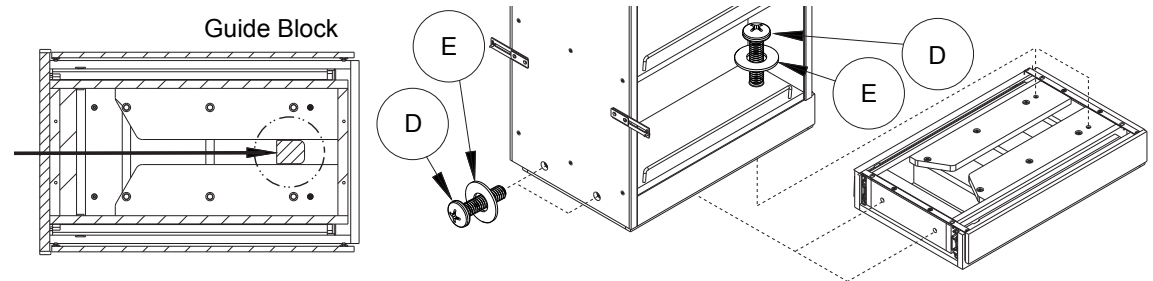


Separate top mounting bracket slide cabinet member as shown and align front and rear brackets with installation marks and attach with three (3) -- #8 x 5/8 Pan Head Phillips Wood Screws in the front and with four (4) -- #8 x 5/8 Pan Head Phillips Wood Screws in the rear as shown.

## STEP 4 - Install Pantry Unit

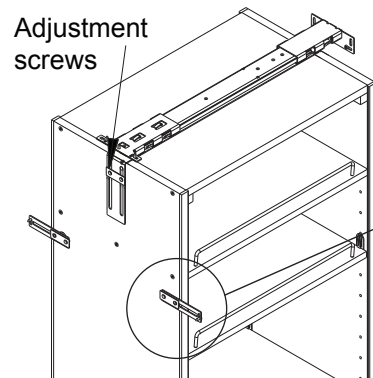
**(NOTE: The adjustment screws may need to be loosed first).**

Install Pantry Pullout Unit by lining up the guide block on the bottom of the unit with the slot in the top of the Mounting Base and slide top U-bracket up until the drawer slide member aligns with the top mounting bracket. Slowly push pantry unit into the cabinet until fully seated. Align screw locations and secure firmly with four (4) -- 5/16-18 x 1" Pan Head Phillips Machine Screws as shown. Install two almond snap-in covers over both rear screws.

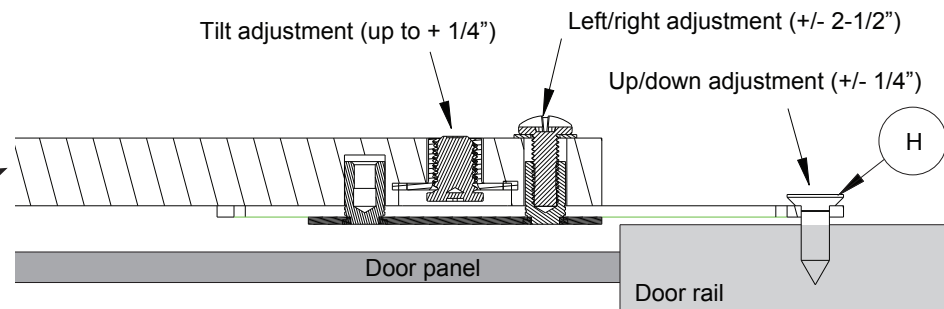


## STEP 5 - Adjustments

Make sure the U-bracket is square to the pantry unit and hand tighten the adjustment screws. Cycle the Pantry Pullout making sure of smooth slide operation. Slide should have sufficient up and down clearance for proper travel. Make adjustments to the adjustment screws as necessary.



## STEP 6 - Door Mounting and Adjustments



Attach the door panel and adjust as shown. (NOTE: four (4) -- #8 x 5/8 Flat Head Phillips Wood Screws are provided, but determine door panel rail thickness before using.)