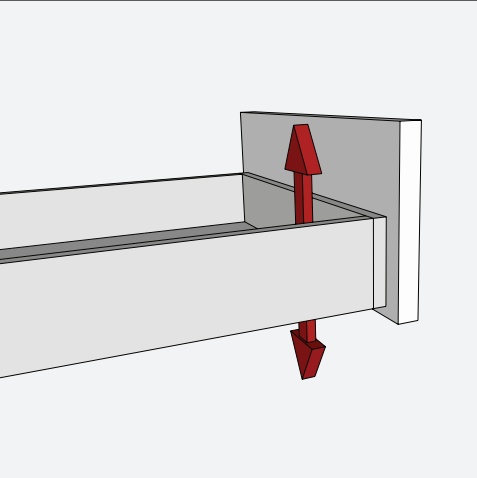
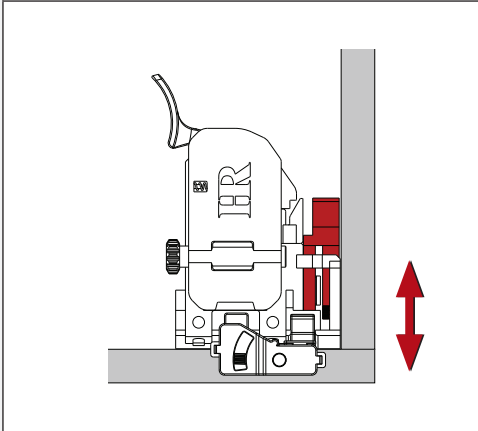
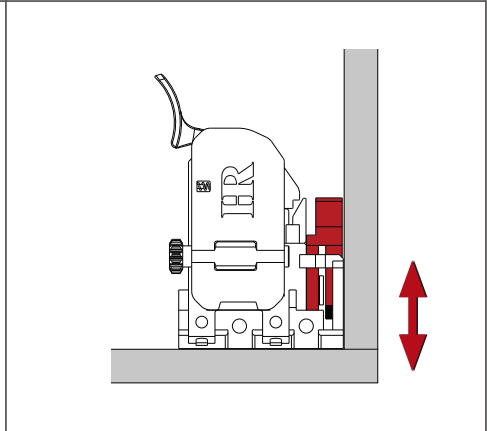
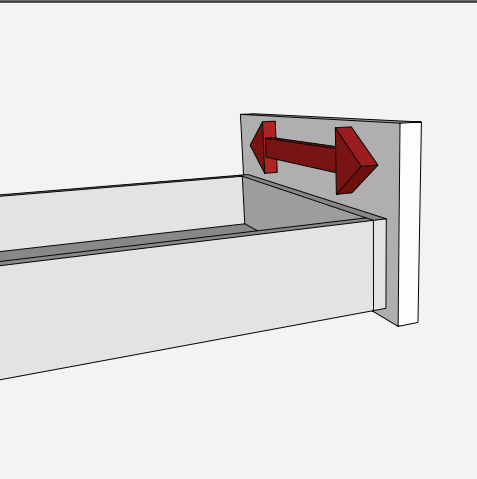
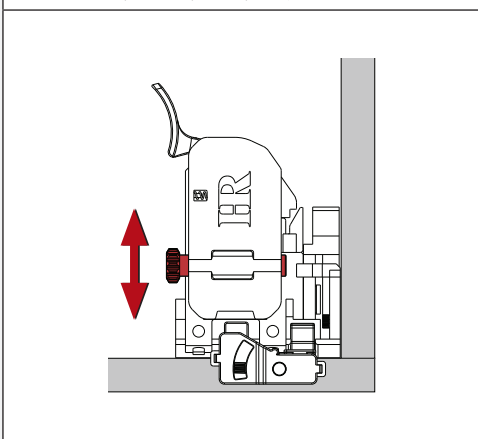
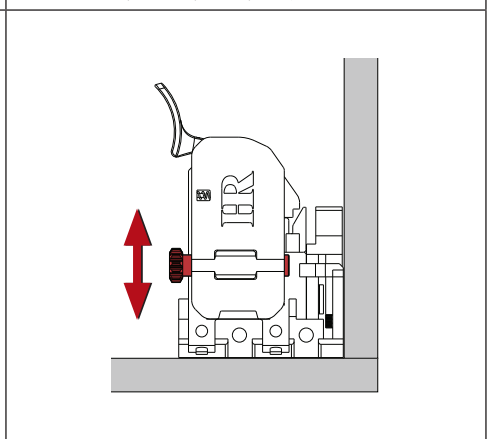


Undermount Release Clips

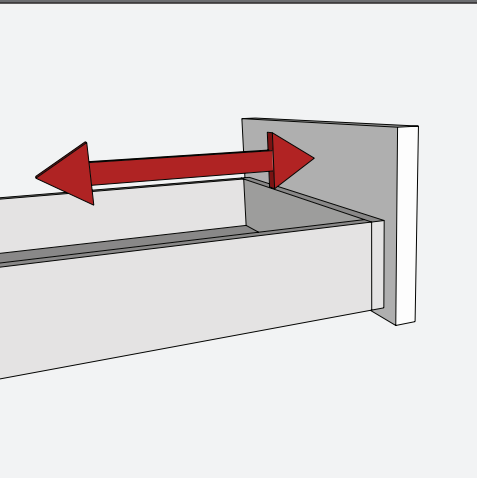
Vertical adjustment: Up to 3 mm (1/8")

	6-Way Heavy Duty Adjustable Clip	4-Way Heavy Duty Adjustable Clip
		

Horizontal adjustment: +/- 2 mm (5/64")

	6-Way Heavy Duty Adjustable Clip	4-Way Heavy Duty Adjustable Clip
		

Depth adjustment: Up to 2.5 mm (3/32")

	6-Way Heavy Duty Adjustable Clip	4-Way Heavy Duty Adjustable Clip
	