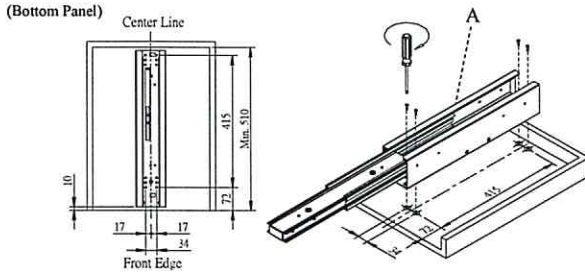
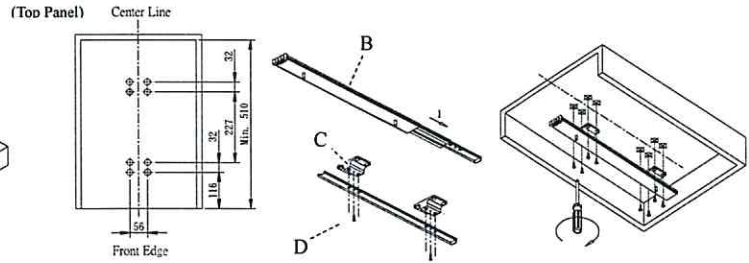


INSTALLATION INSTRUCTIONS FOR PANTRY PULLOUT CPPO SERIES

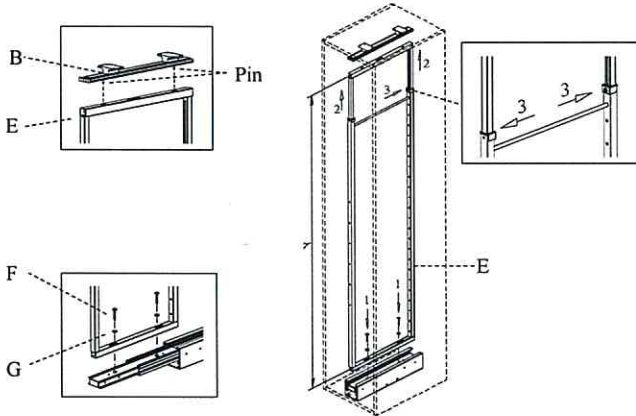
STEP 1: 1: Mark center line and screw hole positions on bottom panel for bottom runner (A).
2: Screw bottom runner (A) to bottom panel.



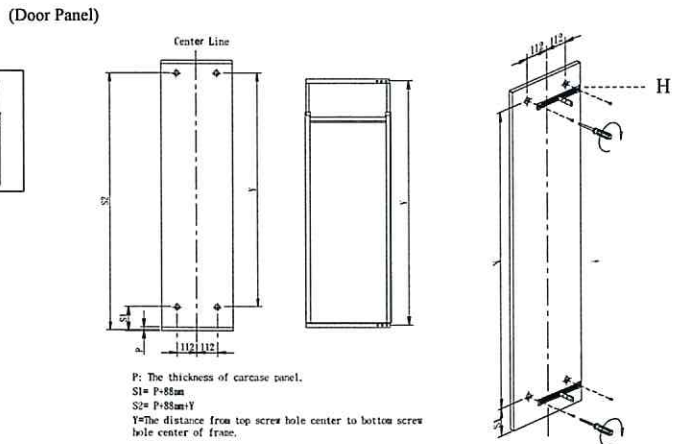
STEP 2: 1: Mark center line on top panel and screw hole positions for plastic base (C) of top slide (B).
2: Release the inner channel of top slide (B), fasten the plastic base (C) to inner channel using 2 screws (D) enclosed.
3: Push the inner channel back into slide, screw plastic base of top slide to top panel.



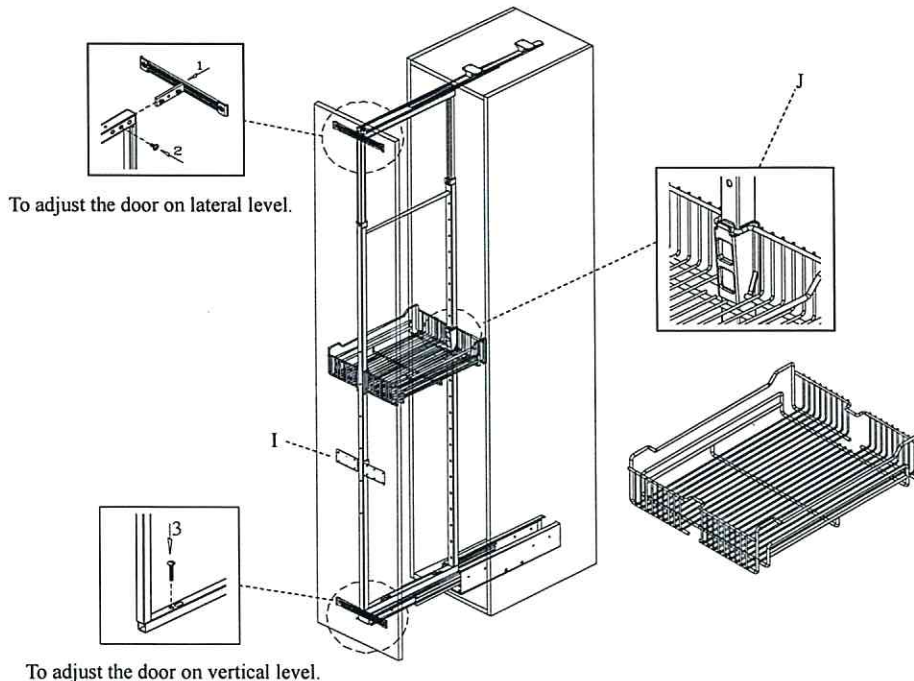
STEP 3: 1: Keeping the frame in the closed position, fasten the frame to bottom runner using enclosed screws (F) and washers (G).
2: Pull adjustable frame top up to match the pin of top slide.
3: Tighten frame set screws in final height position.



STEP 4: 1: Mark center line and screw hole positions on back of door panel for two T-Bar (H).
2: Fasten two T-Bar to door panel using your screws.



STEP 5: 1. Release middle screw of T-Bar, push together T-Bar to frame tubing, then tighten the middle screw and two screws on T-Bar.
2. To adjust the door's lateral or horizontal position, loosen or tighten the screw set on top or bottom T-Bar.
3. To adjust the door's vertical position to use 2 adjustment bolts attached on frame.
4. Using enclosed plastic clip (J) insert to pre-drilled holes in frame to get desired heights of basket.



Ax1set	Fx2pcs
Bx1pc	Gx2pcs
Cx2pcs	Hx2pcs
Dx2pcs	Ix1pc
Ex1set	Jx10pcs