
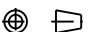
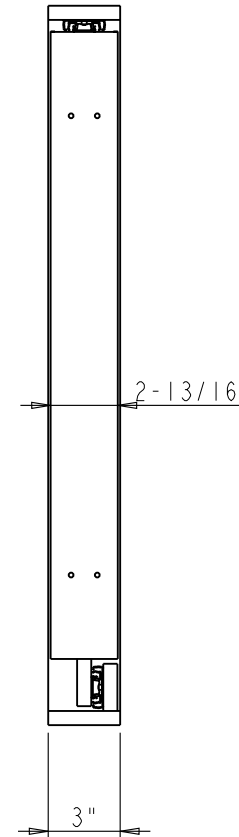
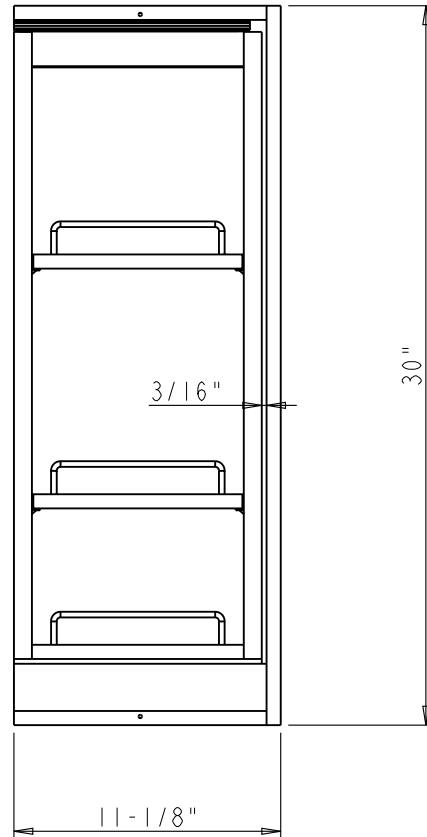
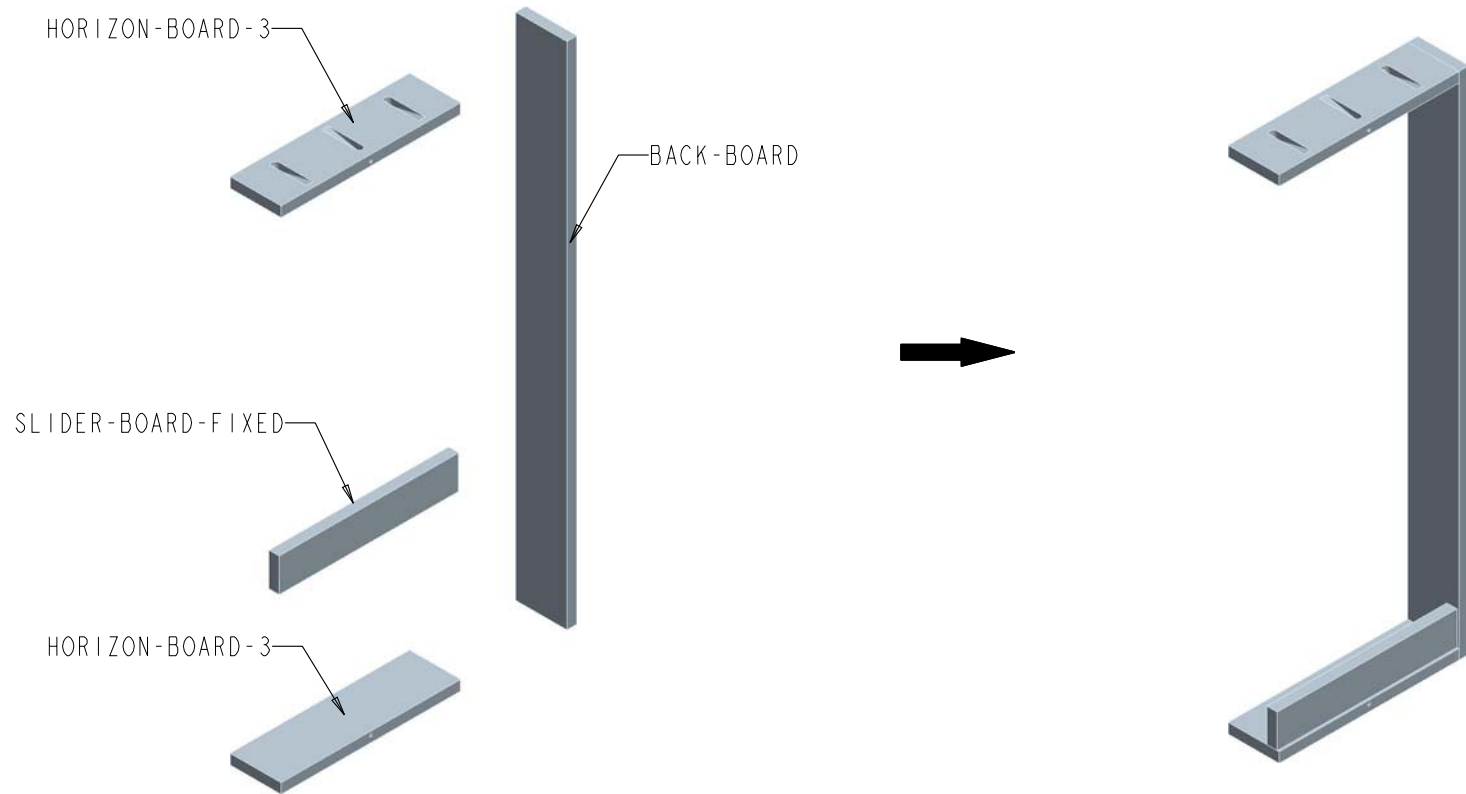


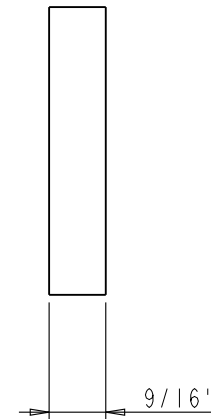
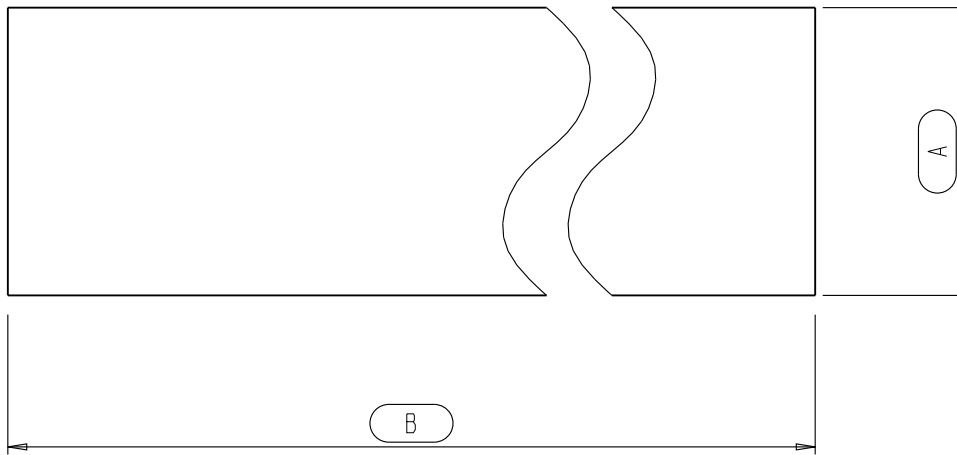
| | | | | | |
|--|--|-------------|-----------|------------------------------|-------|
|  | ITEM#: WFPO-FAMILY-3XX | | MATERIAL: | | |
| | FINISH: | | WEIGHT: 9 | | |
| PROPRIETARY AND CONFIDENTIAL THE INFORMATION CONTAINED IN THIS DRAWING IS THE SOLE PROPERTY OF HARDWARE RESOURCES INC. ANY REPRODUCTION IN PART OR AS A WHOLE WITHOUT THE WRITTEN PERMISSION OF HARDWARE RESOURCES INC. IS PROHIBITED. | TOLERANCE UNLESS OTHERWISE SPECIFIED: X : MM ±0.20 X.X : MM ±0.10 X.XX : MM ±0.05 ANGULAR: ±0.5° DO NOT SCALE DRAWING | | UNIT: | DRAWN BY: <i>alan.liu</i> | DATE: |
| | SIZE: | CHECKED BY: | DATE: | | |
| | APPROVED BY: | | DATE: | | |
| | PROJECTION:  | | | | |



| | | | | | |
|--|--|-------------|-----------|------------------------------|-------|
| | ITEM#: WF P0330 | | MATERIAL: | | |
| | FINISH: | | WEIGHT: 9 | | |
| PROPRIETARY AND CONFIDENTIAL THE INFORMATION CONTAINED IN THIS DRAWING IS THE SOLE PROPERTY OF HARDWARE RESOURCES INC. ANY REPRODUCTION IN PART OR AS A WHOLE WITHOUT THE WRITTEN PERMISSION OF HARDWARE RESOURCES INC. IS PROHIBITED. | TOLERANCE UNLESS OTHERWISE SPECIFIED: X : MM ±0.20 X.X : MM ±0.10 X.XX : MM ±0.05 ANGULAR: ±0.5° DO NOT SCALE DRAWING | | UNIT: | DRAWN BY: <i>alan.liu</i> | DATE: |
| | SIZE: | CHECKED BY: | DATE: | | |
| | APPROVED BY: | | DATE: | | |
| | PROJECTION: | | | | |



| | | | | | |
|--|--|--|----------------|------------------------------|-------|
| | ITEM#: MOUNT-FRAME-3XX | | MATERIAL: | | |
| | FINISH: | | WEIGHT: 9 | | |
| PROPRIETARY AND CONFIDENTIAL THE INFORMATION CONTAINED IN THIS DRAWING IS THE SOLE PROPERTY OF HARDWARE RESOURCES INC. ANY REPRODUCTION IN PART OR AS A WHOLE WITHOUT THE WRITTEN PERMISSION OF HARDWARE RESOURCES INC. IS PROHIBITED. | TOLERANCE UNLESS OTHERWISE SPECIFIED: X : MM ±0.20 X.X : MM ±0.10 X.XX : MM ±0.05 ANGULAR: ±0.5° DO NOT SCALE DRAWING | | UNIT: SIZE: | DRAWN BY: <i>alan.liu</i> | DATE: |
| | | | CHECKED BY: | DATE: | |
| | | | APPROVED BY: | DATE: | |
| | | | PROJECTION: | | |



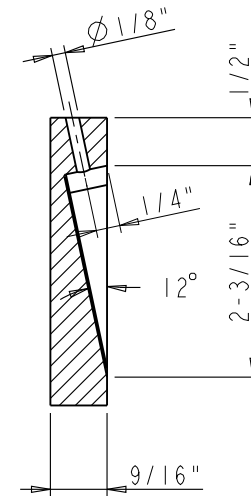
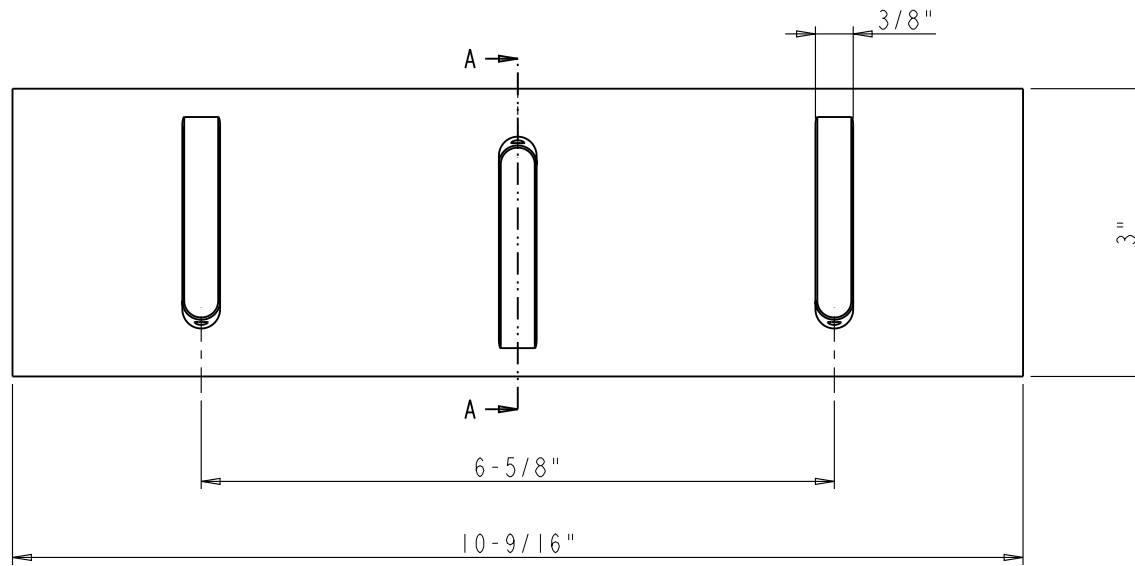
BACK-BOARD SPEC SHEET:

| Part Name | A | B |
|----------------|----|-----|
| BACK-BOARD-330 | 3" | 30" |
| BACK-BOARD-336 | 3" | 36" |
| BACK-BOARD-342 | 3" | 42" |
| BACK-BOARD-630 | 6" | 30" |
| BACK-BOARD-636 | 6" | 36" |
| BACK-BOARD-642 | 6" | 42" |

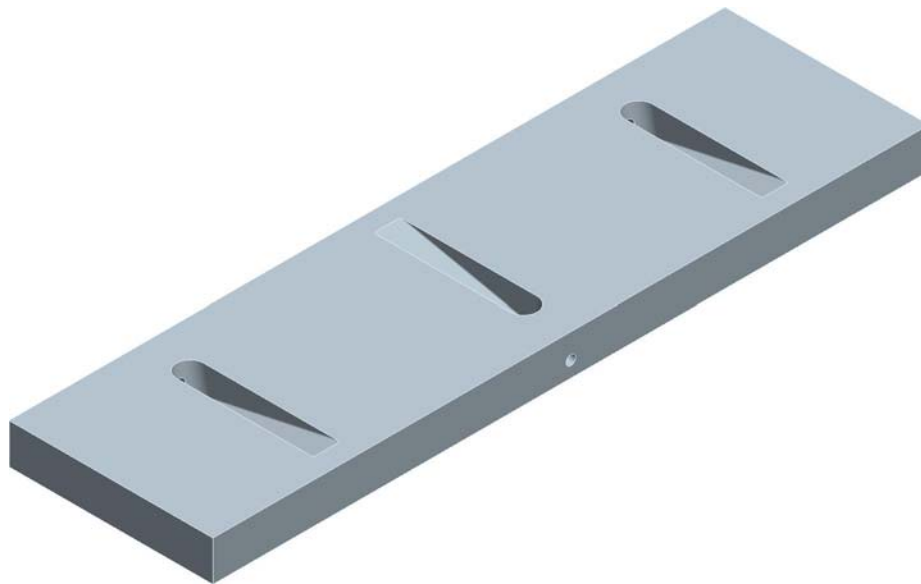
NOTE:

The dimension A & B of current BACK-BOARD is showing with red frame

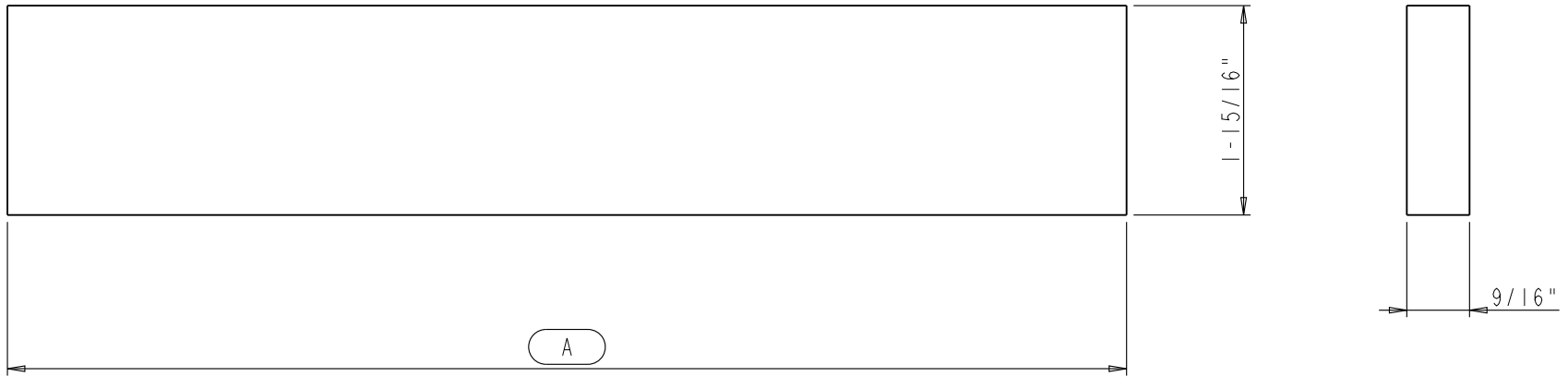
| | | | | | |
|--|--|-------------|--------------------|------------------------------|-------|
| | ITEM#: BACK-BOARD | | MATERIAL: PLY Wood | | |
| | FINISH: | | WEIGHT: 9 | | |
| PROPRIETARY AND CONFIDENTIAL THE INFORMATION CONTAINED IN THIS DRAWING IS THE SOLE PROPERTY OF HARDWARE RESOURCES INC. ANY REPRODUCTION IN PART OR AS A WHOLE WITHOUT THE WRITTEN PERMISSION OF HARDWARE RESOURCES INC. IS PROHIBITED. | TOLERANCE UNLESS OTHERWISE SPECIFIED: X : MM ±0.20 XX : MM ±0.10 XXX : MM ±0.05 ANGULAR: ±0.5° DO NOT SCALE DRAWING | | UNIT: | DRAWN BY: <i>alan.liu</i> | DATE: |
| | SIZE: | CHECKED BY: | DATE: | | |
| | APPROVED BY: | | DATE: | | |
| | PROJECTION: | | | | |



SECTION A-A



| | | | | | |
|--|---|--|--------------------|------------------------------|-------|
| | ITEM: HORIZON-BOARD-3 | | MATERIAL: PLY Wood | | |
| | FINISH: | | WEIGHT: 9 | | |
| PROPRIETARY AND CONFIDENTIAL THE INFORMATION CONTAINED IN THIS DRAWING IS THE SOLE PROPERTY OF HARDWARE RESOURCES INC. ANY REPRODUCTION IN PART OR AS A WHOLE WITHOUT THE WRITTEN PERMISSION OF HARDWARE RESOURCES INC. IS PROHIBITED. | TOLERANCE UNLESS OTHERWISE SPECIFIED: X: MM ±0.20 X.X: MM ±0.10 X.XX: MM ±0.05 ANGULAR: ±0.5° DO NOT SCALE DRAWING | | UNIT: SIZE: | DRAWN BY: <i>alan.liu</i> | DATE: |
| | | | | CHECKED BY: | DATE: |
| | | | | APPROVED BY: | DATE: |
| | | | | | |



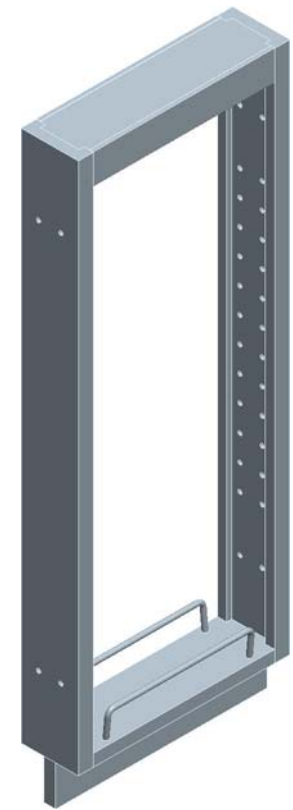
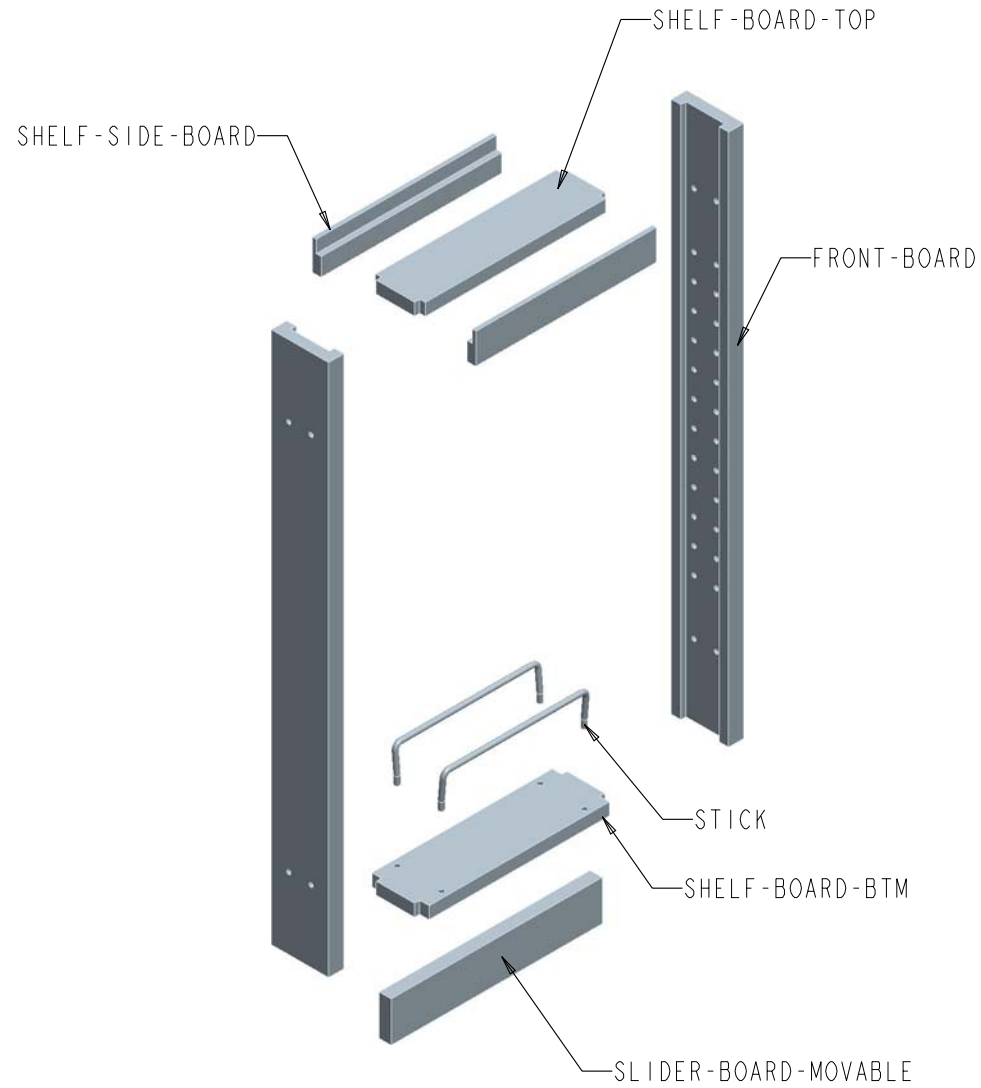
SLIDER-BOARD SPEC SHEET:

| Part Name | A |
|----------------------|----------|
| SLIDER-BOARD-FIXED | 10-9/16" |
| SLIDER-BOARD-MOVABLE | 10-5/16" |

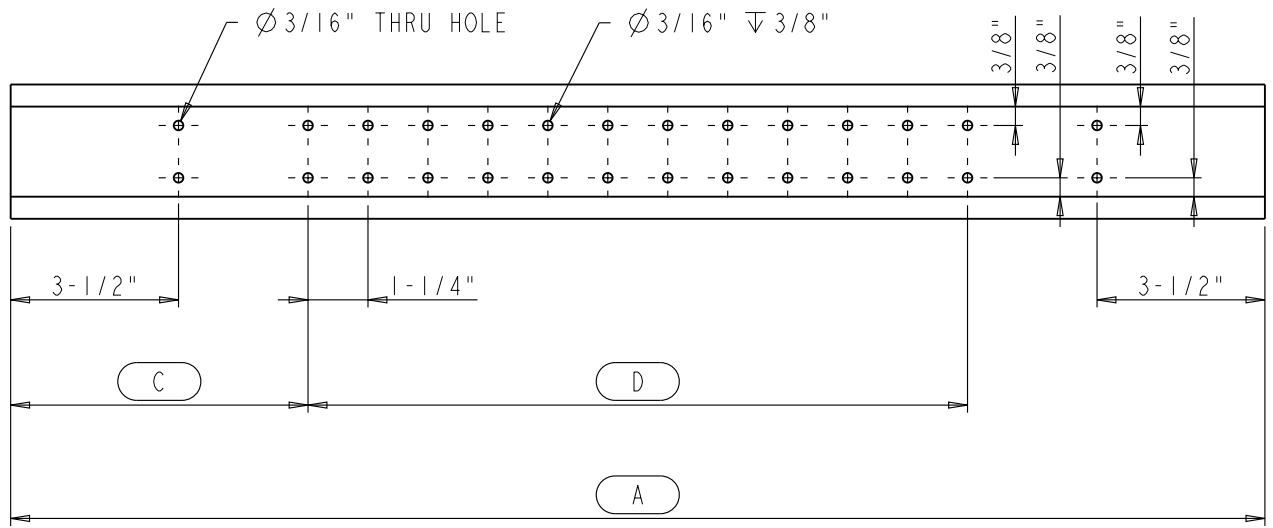
NOTE:

The dimension A of current SLIDER-BOARD is showing with red frame

| | | | | | |
|--|---------------------------------------|--------------|-----------|-----------|----------|
| | ITEM: | SLIDER-BOARD | | MATERIAL: | PLY Wood |
| | FINISH: | | | WEIGHT: | g |
| PROPRIETARY AND CONFIDENTIAL THE INFORMATION CONTAINED IN THIS DRAWING IS THE SOLE PROPERTY OF HARDWARE RESOURCES INC. ANY REPRODUCTION IN PART OR AS A WHOLE WITHOUT THE WRITTEN PERMISSION OF HARDWARE RESOURCES INC. IS PROHIBITED. | TOLERANCE UNLESS OTHERWISE SPECIFIED: | UNIT: | DRAWN BY: | DATE: | |
| | X : MM ±0.20 | SIZE: | | DATE: | |
| | X.X : MM ±0.10 | | | DATE: | |
| | X.XX : MM ±0.05 | | | DATE: | |
| ANGULAR: ±0.5° | APPROVED BY: | DATE: | | DATE: | |
| DO NOT SCALE DRAWING | | | | | |



| | | | | | |
|--|--|-------------|-----------|---------------------------|-------|
| | ITEM: PULL-FRAME | | MATERIAL: | | |
| | FINISH: | | WEIGHT: 9 | | |
| PROPRIETARY AND CONFIDENTIAL THE INFORMATION CONTAINED IN THIS DRAWING IS THE SOLE PROPERTY OF HARDWARE RESOURCES INC. ANY REPRODUCTION IN PART OR AS A WHOLE WITHOUT THE WRITTEN PERMISSION OF HARDWARE RESOURCES INC. IS PROHIBITED. | TOLERANCE UNLESS OTHERWISE SPECIFIED: X : MM ±0.20 X.X : MM ±0.10 X.XX : MM ±0.05 ANGULAR: ±0.5° DO NOT SCALE DRAWING | | UNIT: | DRAWN BY: <i>alan.liu</i> | DATE: |
| | SIZE: | CHECKED BY: | DATE: | | |
| | APPROVED BY: | | DATE: | | |
| | PROJECTION: | | | | |



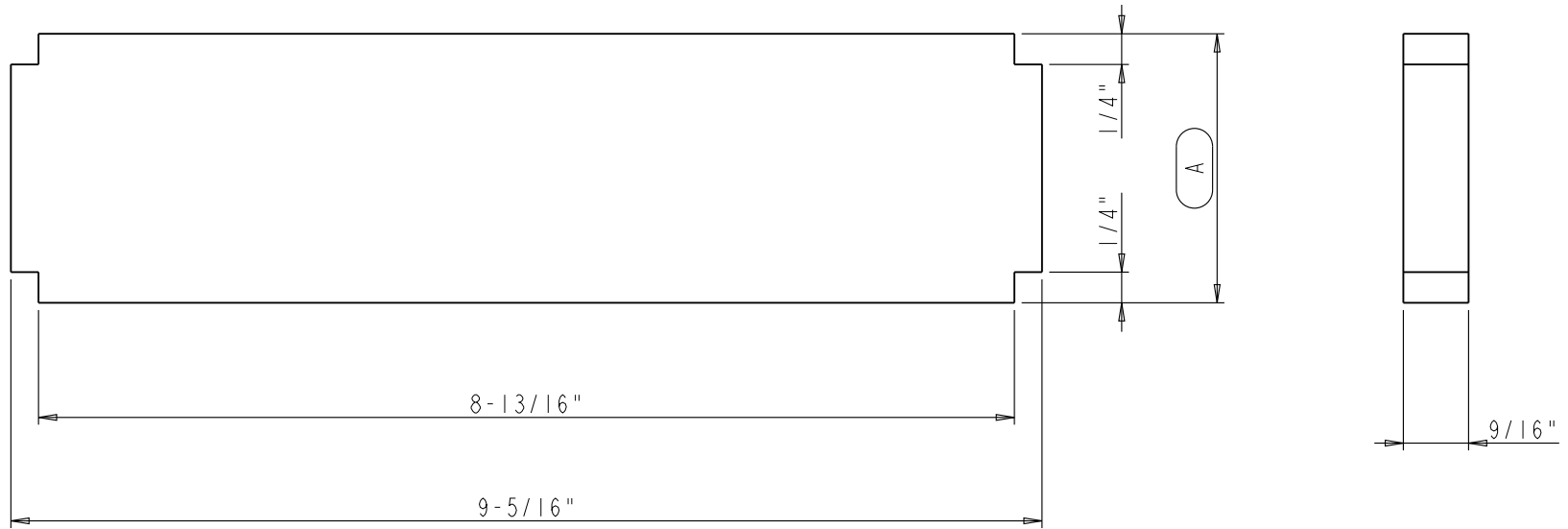
FRONT-BOARD SPEC SHEET:

| Part Name | A | B | C | D |
|-----------------|---------|----------|----------|---------|
| FRONT-BOARD-330 | 26-1/8" | 2-13/16" | 6-3/16" | 13-3/4" |
| FRONT-BOARD-336 | 32-1/8" | 2-13/16" | 6-11/16" | 18-3/4" |
| FRONT-BOARD-630 | 26-1/8" | 5-13/16" | 6-3/16" | 13-3/4" |
| FRONT-BOARD-636 | 32-1/8" | 5-13/16" | 6-11/16" | 18-3/4" |

NOTE:

The dimension A/B/C/D of current FRONT-BOARD is showing with red frame

| | | | | | |
|--|---|-------------|-----------------|---------------------------|-------|
| | ITEM: FRONT-BOARD | | MATERIAL: MAPLE | | |
| | FINISH: | | WEIGHT: 9 | | |
| PROPRIETARY AND CONFIDENTIAL THE INFORMATION CONTAINED IN THIS DRAWING IS THE SOLE PROPERTY OF HARDWARE RESOURCES INC. ANY REPRODUCTION IN PART OR AS A WHOLE WITHOUT THE WRITTEN PERMISSION OF HARDWARE RESOURCES INC. IS PROHIBITED. | TOLERANCE UNLESS OTHERWISE SPECIFIED: X: MM ±0.20 X.X: MM ±0.10 X.XX: MM ±0.05 ANGULAR: ±0.5° DO NOT SCALE DRAWING | | UNIT: | DRAWN BY: <i>alan.liu</i> | DATE: |
| | SIZE: | CHECKED BY: | DATE: | | |
| | APPROVED BY: | | DATE: | | |
| | PROJECTION: | | | | |



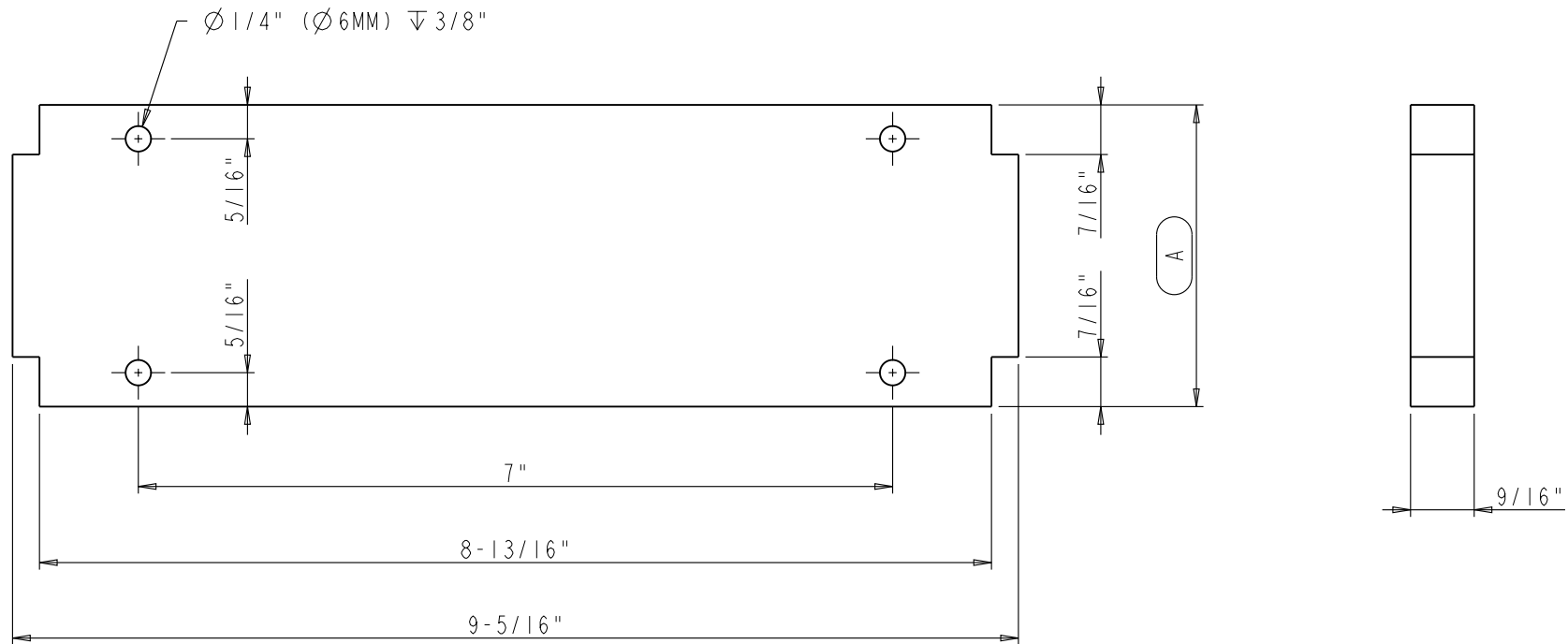
NOTE:

The dimension A of current SHELF-BOARD-TOP is showing with red frame

SHELF-BOARD-TOP SPEC SHEET:

| Part Name | A |
|-------------------|---------|
| SHELF-BOARD-3-TOP | 2-7/16" |
| SHELF-BOARD-6-TOP | 5-7/16" |

| | | | | | |
|--|--|-------------|--------------------|------------------------------|-------|
| | ITEM#: SHELF-BOARD-TOP | | MATERIAL: PLY Wood | | |
| | FINISH: | | WEIGHT: 9 | | |
| PROPRIETARY AND CONFIDENTIAL THE INFORMATION CONTAINED IN THIS DRAWING IS THE SOLE PROPERTY OF HARDWARE RESOURCES INC. ANY REPRODUCTION IN PART OR AS A WHOLE WITHOUT THE WRITTEN PERMISSION OF HARDWARE RESOURCES INC. IS PROHIBITED. | TOLERANCE UNLESS OTHERWISE SPECIFIED: X : MM ±0.20 X.X : MM ±0.10 X.XX : MM ±0.05 ANGULAR: ±0.5° DO NOT SCALE DRAWING | | UNIT: | DRAWN BY: <i>alan.liu</i> | DATE: |
| | SIZE: | CHECKED BY: | DATE: | | |
| | APPROVED BY: | | DATE: | | |
| | PROJECTION: | | | | |



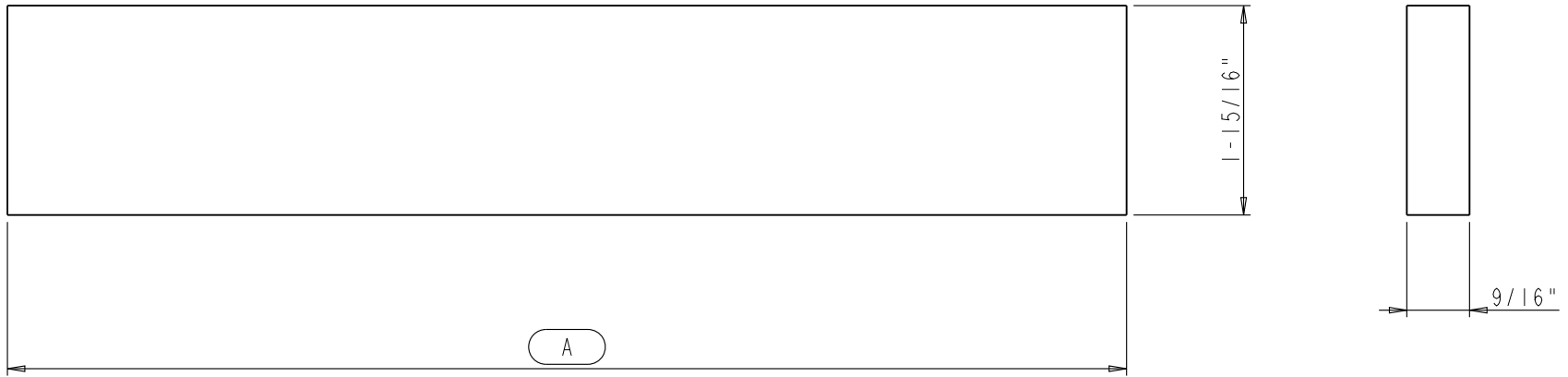
NOTE:

The dimension A of current SHELF-BOARD-BTM is showing with red frame

SHELF-BOARD-BTM SPEC SHEET:

| Part Name | A |
|-------------------|----------|
| SHELF-BOARD-3-BTM | 2-13/16" |
| SHELF-BOARD-6-BTM | 5-13/16" |

| | | | | | | |
|--|---------------------------------------|-----------------|--------------------------------|-----------|----------|--|
| | ITEM: | SHELF-BOARD-BTM | | MATERIAL: | PLY Wood | |
| | FINISH: | | | WEIGHT: | g | |
| PROPRIETARY AND CONFIDENTIAL THE INFORMATION CONTAINED IN THIS DRAWING IS THE SOLE PROPERTY OF HARDWARE RESOURCES INC. ANY REPRODUCTION IN PART OR AS A WHOLE WITHOUT THE WRITTEN PERMISSION OF HARDWARE RESOURCES INC. IS PROHIBITED. | TOLERANCE UNLESS OTHERWISE SPECIFIED: | UNIT: | DRAWN BY: | DATE: | | |
| | X : MM ±0.20 | SIZE: | <i>alan.liu</i> CHECKED BY: | DATE: | | |
| | X.X : MM ±0.10 | | | DATE: | | |
| | X.XX : MM ±0.05 | APPROVED BY: | DATE: | | DATE: | |
| ANGULAR: ±0.5° | | | | | | |
| DO NOT SCALE DRAWING | | | | | | |



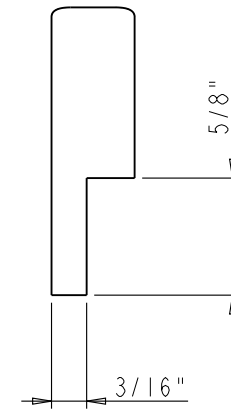
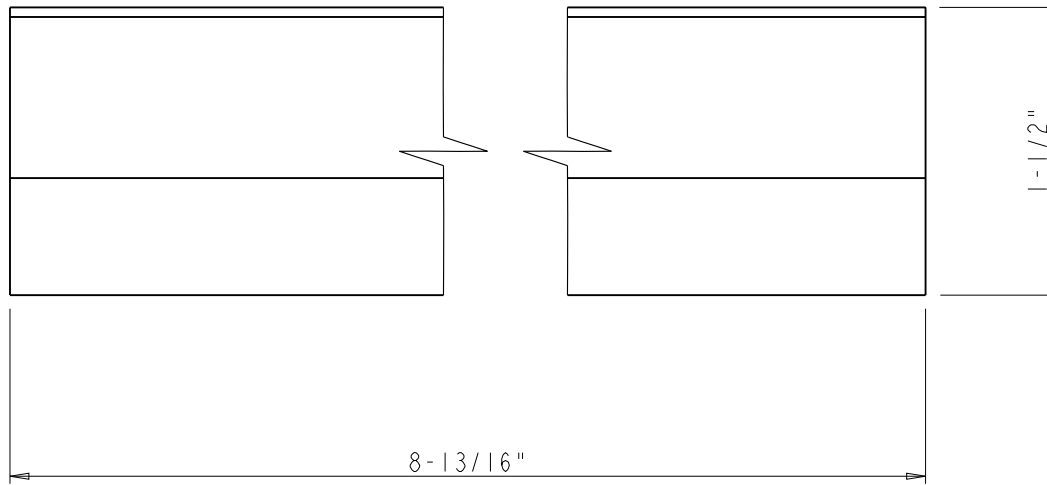
SLIDER-BOARD SPEC SHEET:


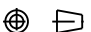
| Part Name | A |
|----------------------|----------|
| SLIDER-BOARD-FIXED | 10-9/16" |
| SLIDER-BOARD-MOVABLE | 10-5/16" |

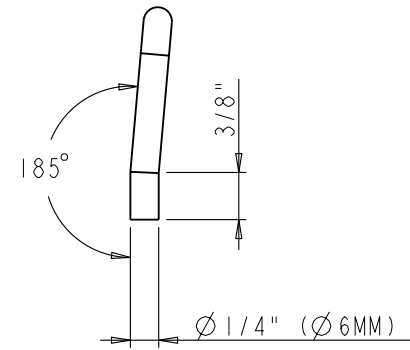
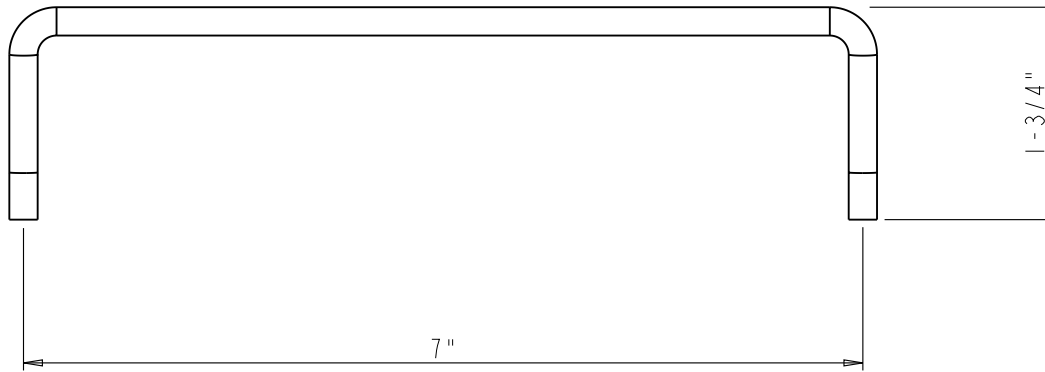
NOTE:

The dimension A of current SLIDER-BOARD is showing with red frame

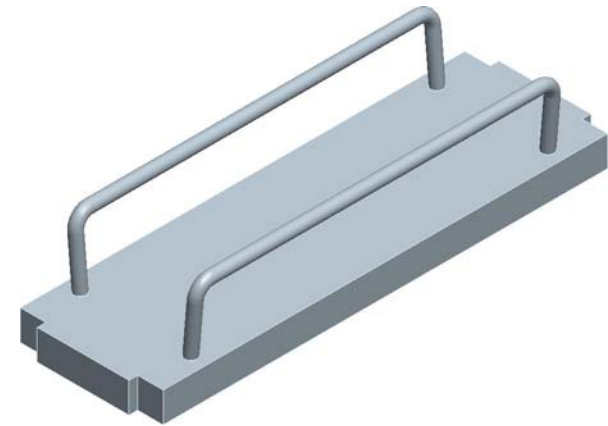
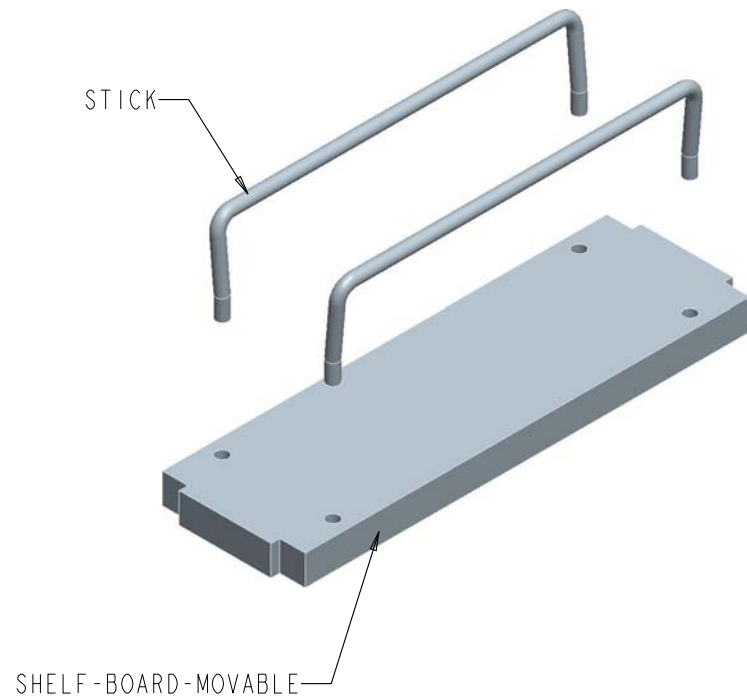
| | | | | | |
|--|--|-------------|--------------------|------------------------------|-------|
| | ITEM#: SLIDER-BOARD | | MATERIAL: PLY Wood | | |
| | FINISH: | | WEIGHT: g | | |
| PROPRIETARY AND CONFIDENTIAL THE INFORMATION CONTAINED IN THIS DRAWING IS THE SOLE PROPERTY OF HARDWARE RESOURCES INC. ANY REPRODUCTION IN PART OR AS A WHOLE WITHOUT THE WRITTEN PERMISSION OF HARDWARE RESOURCES INC. IS PROHIBITED. | TOLERANCE UNLESS OTHERWISE SPECIFIED: X : MM ±0.20 X.X : MM ±0.10 X.XX : MM ±0.05 ANGULAR: ±0.5° DO NOT SCALE DRAWING | | UNIT: | DRAWN BY: <i>alan.liu</i> | DATE: |
| | SIZE: | CHECKED BY: | DATE: | | |
| | APPROVED BY: | | DATE: | | |
| | PROJECTION: | | | | |


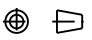


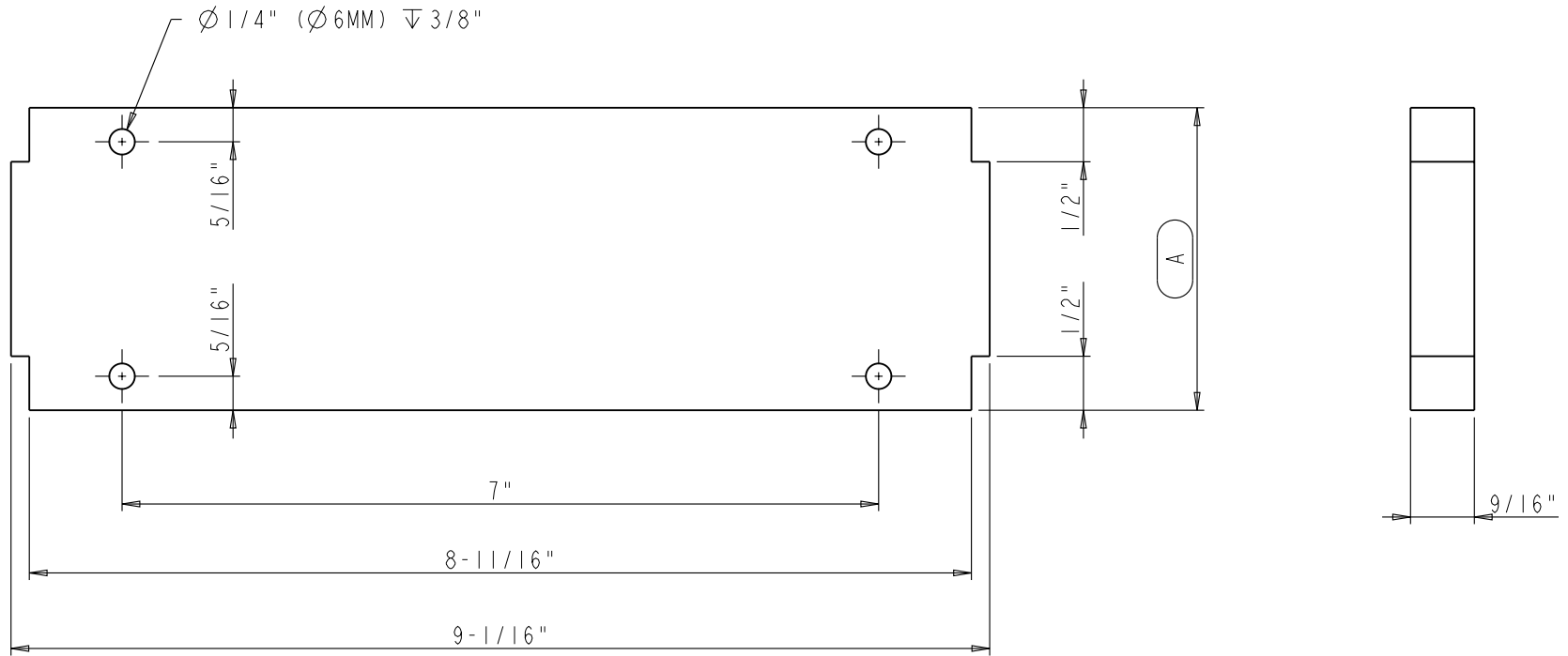
| | | | | | |
|--|--|-------------|-----------------|---------------------------|-------|
|  | ITEM#: SHELF-SIDE-BOARD | | MATERIAL: Maple | | |
| | FINISH: | | WEIGHT: g | | |
| PROPRIETARY AND CONFIDENTIAL THE INFORMATION CONTAINED IN THIS DRAWING IS THE SOLE PROPERTY OF HARDWARE RESOURCES INC. ANY REPRODUCTION IN PART OR AS A WHOLE WITHOUT THE WRITTEN PERMISSION OF HARDWARE RESOURCES INC. IS PROHIBITED. | TOLERANCE UNLESS OTHERWISE SPECIFIED: X : MM ±0.20 X.X : MM ±0.10 X.XX : MM ±0.05 ANGULAR: ±0.5° DO NOT SCALE DRAWING | | UNIT: | DRAWN BY: <i>alan.liu</i> | DATE: |
| | SIZE: | CHECKED BY: | DATE: | | |
| | APPROVED BY: | | DATE: | | |
| | PROJECTION:  | | | | |



| | | | | | |
|--|---|--------------------|---------------------|---|--------------|
| | ITEM: STICK | | MATERIAL: | | |
| | FINISH: | | WEIGHT: 9 | | |
| <p>PROPRIETARY AND CONFIDENTIAL</p> <p>THE INFORMATION CONTAINED IN THIS DRAWING IS THE SOLE PROPERTY OF HARDWARE RESOURCES INC. ANY REPRODUCTION IN PART OR AS A WHOLE WITHOUT THE WRITTEN PERMISSION OF HARDWARE RESOURCES INC. IS PROHIBITED</p> | <p>TOLERANCE UNLESS OTHERWISE SPECIFIED:</p> <p>X : MM ±0.20</p> <p>X.X : MM ±0.10</p> <p>X.XX : MM ±0.05</p> <p>ANGULAR: ±0.5°</p> <p>DO NOT SCALE DRAWING</p> | | <p>UNIT:</p> | <p>DRAWN BY:</p> <p><i>alan.liu</i></p> | <p>DATE:</p> |
| | <p>SIZE:</p> | <p>CHECKED BY:</p> | <p>APPROVED BY:</p> | <p>DATE:</p> | |
| | <p>PROJECTION: </p> | | <p>DATE:</p> | | |
| | <p>DATE:</p> | | <p>DATE:</p> | | |



| | | | | | |
|--|--|-------------|-----------|---------------------------|-------|
|  | ITEM: REMOVABLE - SHELF | | MATERIAL: | | |
| | FINISH: | | WEIGHT: 9 | | |
| PROPRIETARY AND CONFIDENTIAL THE INFORMATION CONTAINED IN THIS DRAWING IS THE SOLE PROPERTY OF HARDWARE RESOURCES INC. ANY REPRODUCTION IN PART OR AS A WHOLE WITHOUT THE WRITTEN PERMISSION OF HARDWARE RESOURCES INC. IS PROHIBITED. | TOLERANCE UNLESS OTHERWISE SPECIFIED: X : MM ±0.20 X.X : MM ±0.10 X.XX : MM ±0.05 ANGULAR: ±0.5° DO NOT SCALE DRAWING | | UNIT: | DRAWN BY: <i>alan.liu</i> | DATE: |
| | SIZE: | CHECKED BY: | DATE: | | |
| | APPROVED BY: | | DATE: | | |
| | PROJECTION:  | | | | |



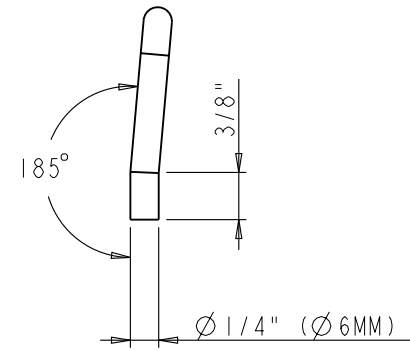
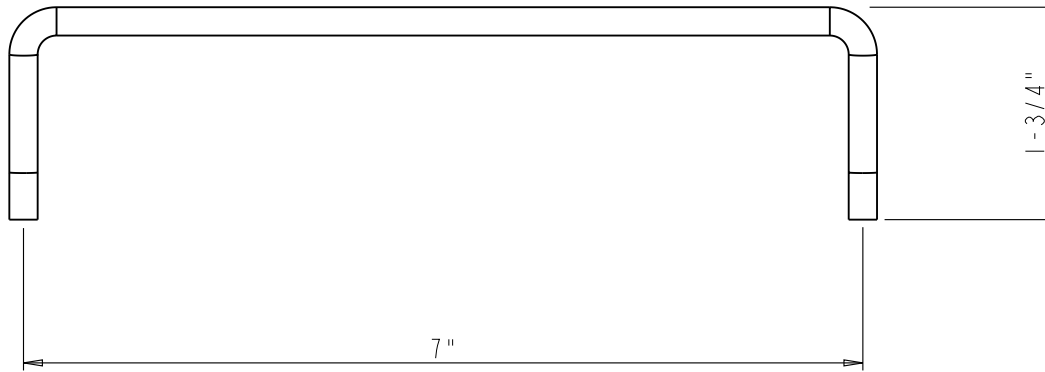
NOTE:

The dimension A of current SHELF-BOARD-MOVABLE is showing with red frame

SHELF-BOARD-MOVABLE SPEC SHEET:

| Part Name | A |
|-----------------------|----------|
| SHELF-BOARD-3-MOVABLE | 2-13/16" |
| SHELF-BOARD-6-MOVABLE | 5-13/16" |

| | | | | | |
|--|---------------------------------------|---------------------|-----------|-----------|----------|
| | ITEM: | SHELF-BOARD-MOVABLE | | MATERIAL: | PLY Wood |
| | FINISH: | | | WEIGHT: | g |
| PROPRIETARY AND CONFIDENTIAL THE INFORMATION CONTAINED IN THIS DRAWING IS THE SOLE PROPERTY OF HARDWARE RESOURCES INC. ANY REPRODUCTION IN PART OR AS A WHOLE WITHOUT THE WRITTEN PERMISSION OF HARDWARE RESOURCES INC. IS PROHIBITED. | TOLERANCE UNLESS OTHERWISE SPECIFIED: | UNIT: | DRAWN BY: | DATE: | |
| | X : MM ±0.20 | SIZE: | alan.liu | DATE: | |
| | X.X : MM ±0.10 | APPROVED BY: | DATE: | | DATE: |
| | X.XX : MM ±0.05 | DATE: | | DATE: | DATE: |
| ANGULAR: ±0.5° | DATE: | | DATE: | DATE: | DATE: |
| DO NOT SCALE DRAWING | DATE: | | DATE: | DATE: | DATE: |



| | | | | | |
|--|---|--|----------------|------------------------------|-------|
| | ITEM: STICK | | MATERIAL: | | |
| | FINISH: | | WEIGHT: 9 | | |
| PROPRIETARY AND CONFIDENTIAL THE INFORMATION CONTAINED IN THIS DRAWING IS THE SOLE PROPERTY OF HARDWARE RESOURCES INC. ANY REPRODUCTION IN PART OR AS A WHOLE WITHOUT THE WRITTEN PERMISSION OF HARDWARE RESOURCES INC. IS PROHIBITED. | TOLERANCE UNLESS OTHERWISE SPECIFIED: X : MM ± 0.20 X.X : MM ± 0.10 X.XX : MM ± 0.05 ANGULAR: $\pm 0.5^\circ$ DO NOT SCALE DRAWING | | UNIT: SIZE: | DRAWN BY: <i>alan.liu</i> | DATE: |
| | | | | CHECKED BY: | DATE: |
| | | | | APPROVED BY: | DATE: |
| | | | | | |