




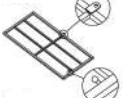






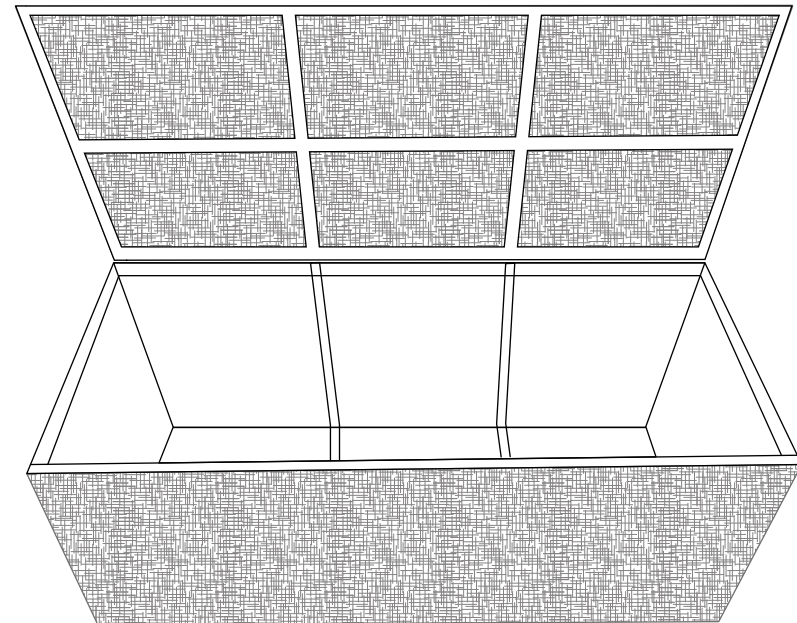


## I - PART AND HARDWARE LIST:

PIECE	DESCRIPTION	PICTURE	QTY
A	Bottom frame		1
B	Back frame		1
C	Left frame		1
D	Right frame		1
E	Front frame		1
F	Top frame		1
G	Piston 80N		1
H	Bolt M6x30		14
I	Bolt M6x15		4
J	Washer		18
K	Plastic feet		4
L	Allen Key 4		1

happimesse™

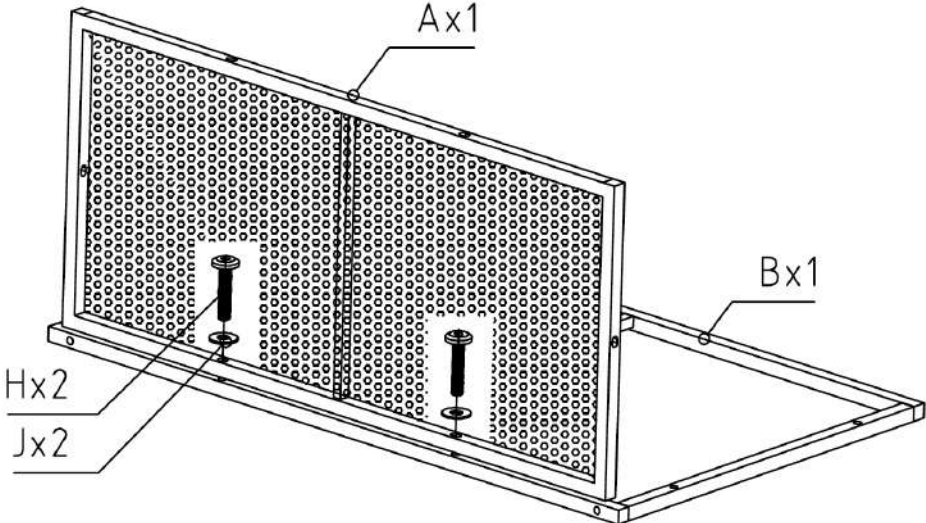
MODEL #TRK1000-HAPPIMESS STORAGE TRUNK (SMALL)



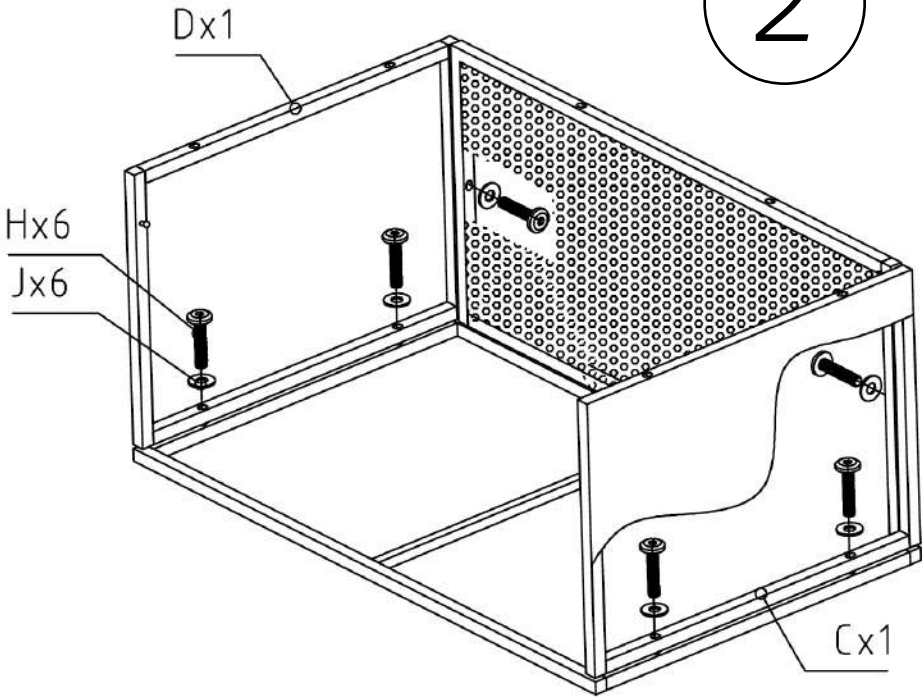
If there are any questions related to defects, missing parts, assembly issues or replacements, please send a detailed email to [hello@happimesse.com](mailto:hello@happimesse.com)

II- PRODUCT ASSEMBLY: "DO NOT TIGHTEN THE SCREWS UNTIL ALL OF PARTS SET INTO CORRECT POSITION"

1

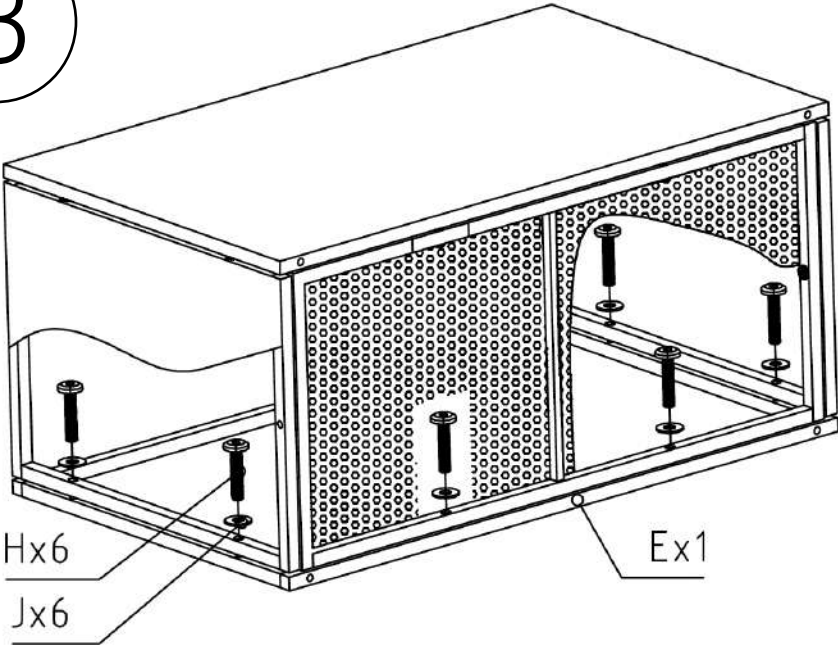


2

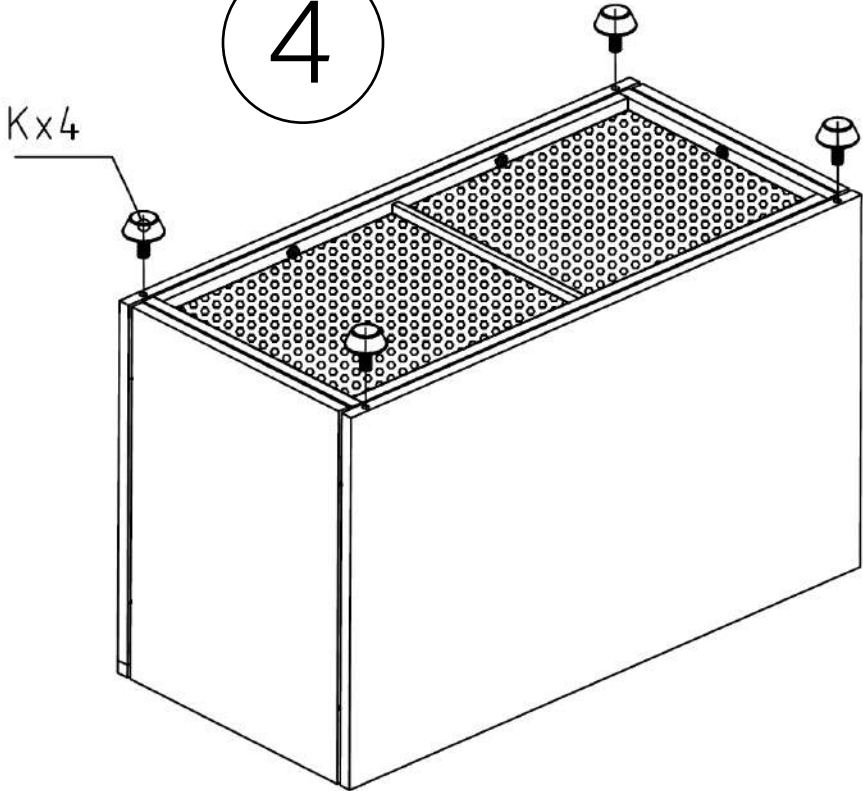


II- PRODUCT ASSEMBLY: "DO NOT TIGHTEN THE SCREWS UNTIL ALL OF PARTS SET INTO CORRECT POSITION"

3



4



**II- PRODUCT ASSEMBLY: "DO NOT TIGHTEN THE SCREWS UNTIL ALL OF PARTS SET INTO CORRECT POSITION"**

