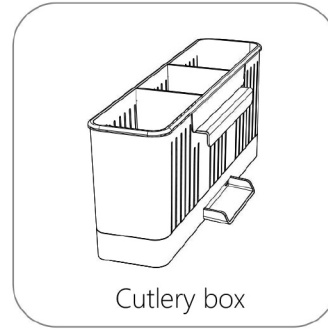
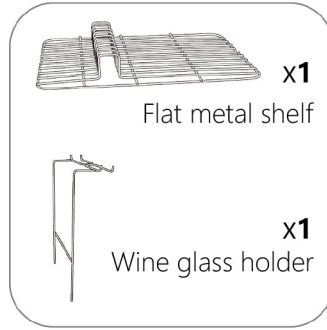
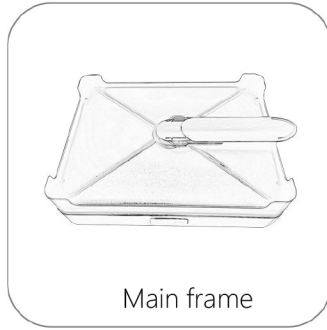
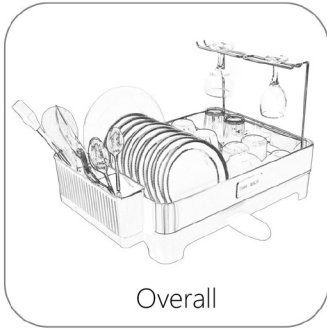


happiness

ITEM#: DSH1003A

Installation Manual

Components



Installation Guide

Step 1:

Install the flat metal shelf into the main frame, both left and right direction are ok.



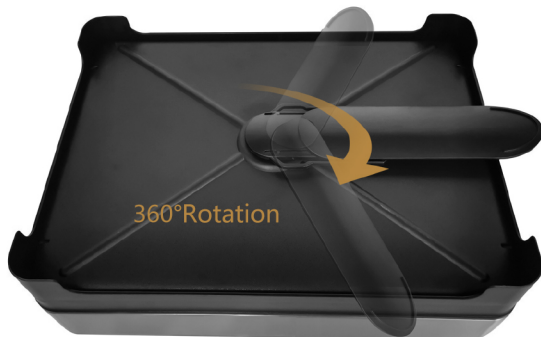
Step 2:

Hang the cutlery box on the side of main frame, and plunge the protruding diversion opening into the side port.



Step 3:

The bottom water outlet can be rotated 360 degrees and Expandable range



Step 4:

Align both ends of wine glass holder with the buckle at the same time, press it down to fixed.

