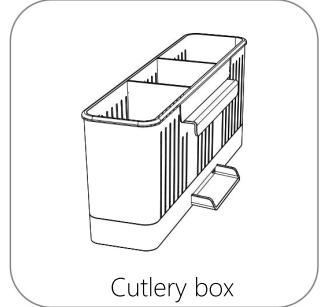
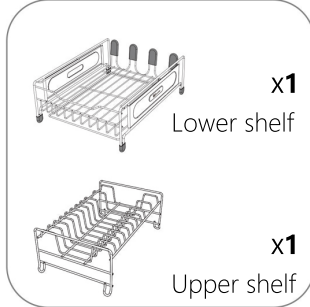
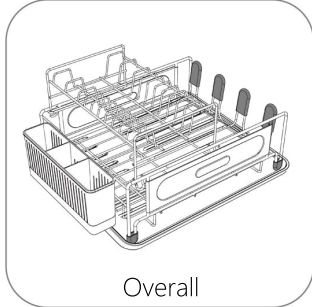


# happimes

ITEM#: DSH1001A

Installation Manual

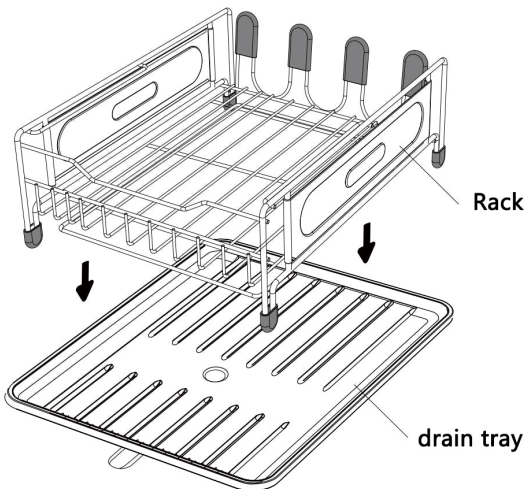
## Components



## Installation Guide

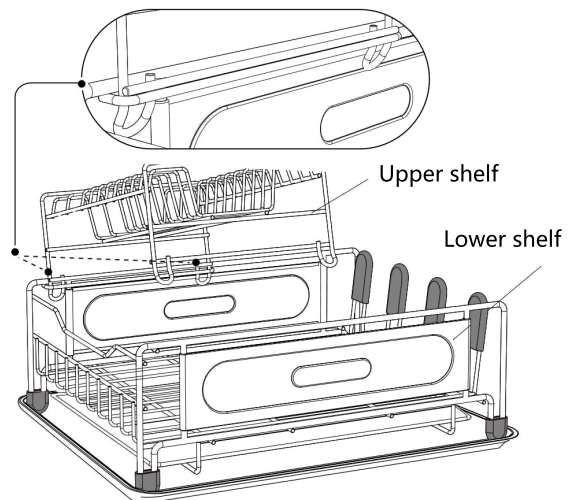
### Step 1:

Install the lower shelf onto the drain tray.



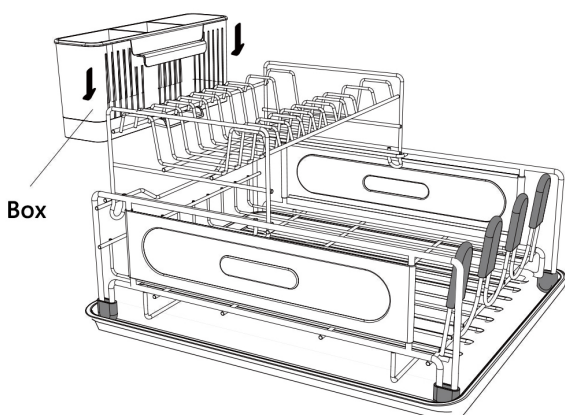
### Step 2:

Clip the both end of upper metal shelf to the two ends of the lower shelf to ensure that there is no shaking .



### Step 3:

Hang the cutlery box on the side of lower shelf.



### Step 4:

If the cutlery box needs to be assembled, please operate as shown.

