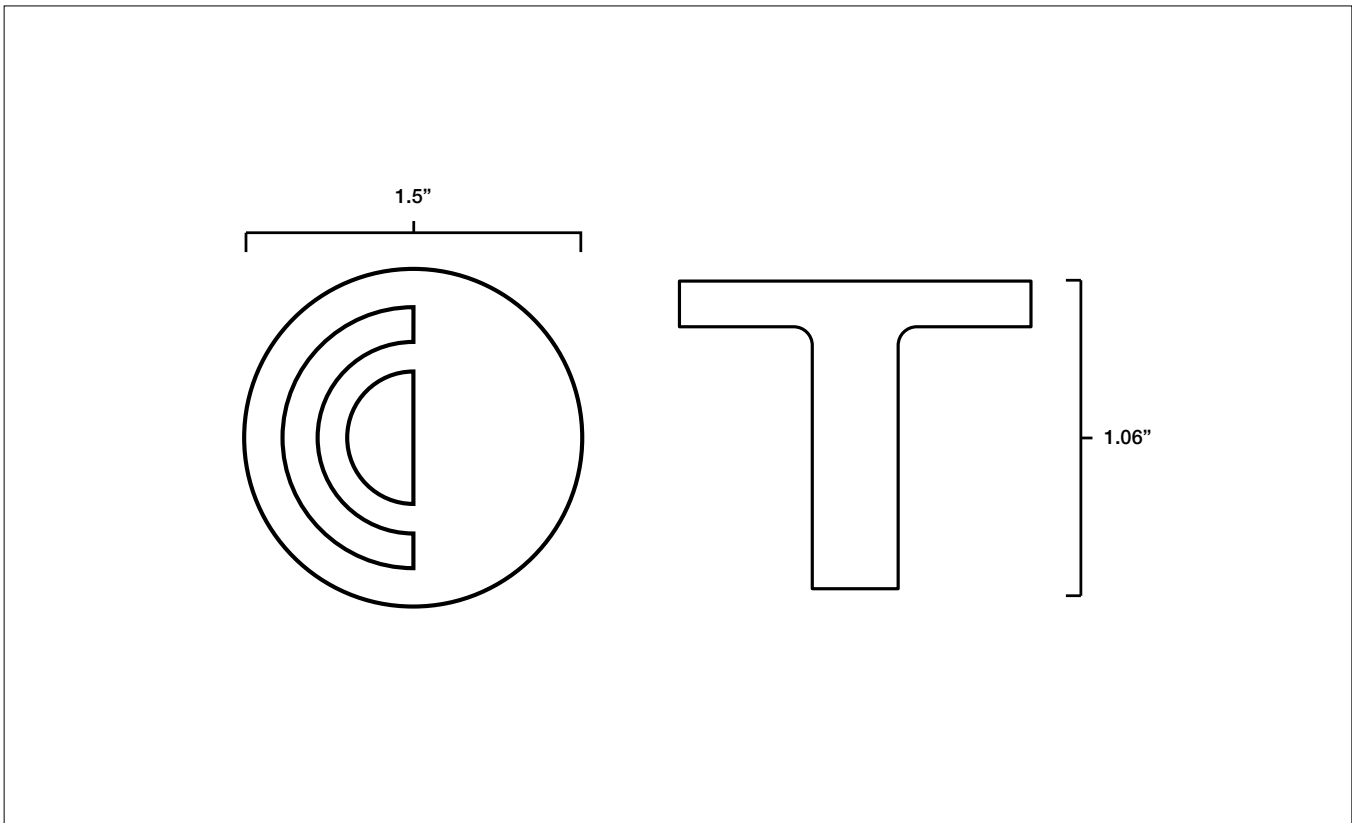




HORIZON KNOB

Tech Spec



FINISH	SKU	ALSO INCLUDED
Matte Black Polished Nickel Satin Brass Satin Nickel	H22-MB H22-PN H22-SB H22-SN	(1) 8-32, 1" Phillips head screw (1) 8-32, 1.75" Phillips head breakable screw

CARE INSTRUCTIONS:

Gentle is key. Clean your hardware with a soft, damp cloth, and wipe completely dry. Do not leave any water or soap residue on your product. Never use any chemicals or harsh over-the-counter cleaners, as these will strip the finish and void your warranty.