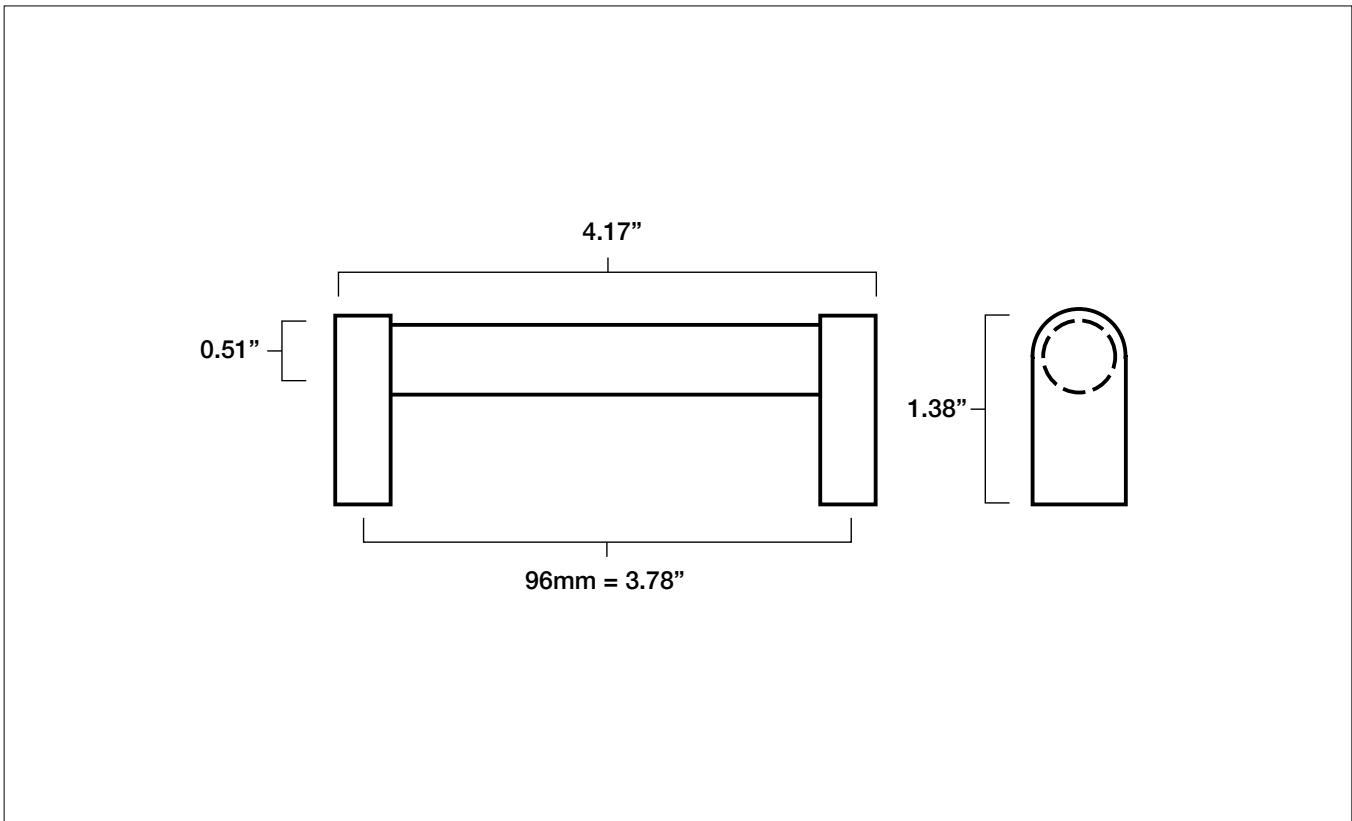




CLARITY 96MM CABINET PULL

Tech Spec



FINISH	SKU	ALSO INCLUDED
Smoke & Matte Black	C501-BMB	(2) 8-32, 1" Phillips head screws (2) 8-32, 1.75" Phillips head breakable screws
Smoke & Satin Brass	C501-BSB	
Clear & Matte Black	C501-MB	
Clear & Polished Nickel	C501-PN	
Clear & Satin Brass	C501-SB	
Clear & Satin Nickel	C501-SN	

CARE INSTRUCTIONS:

Gentle is key. Clean your hardware with a soft, damp cloth, and wipe completely dry. Do not leave any water or soap residue on your product. Never use any chemicals or harsh over-the-counter cleaners, as these will strip the finish and void your warranty.