

Brand hansgrohe  
Art. Name **Ecostat Classic** Pressure Balance Trim, Round  
Art. Nr. 15404001  
Surface Chrome  
Pos. 1

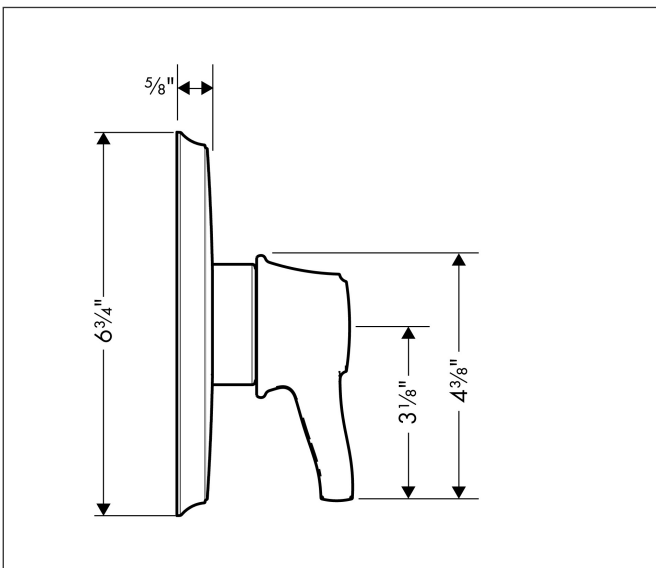
## Product Picture



## Features

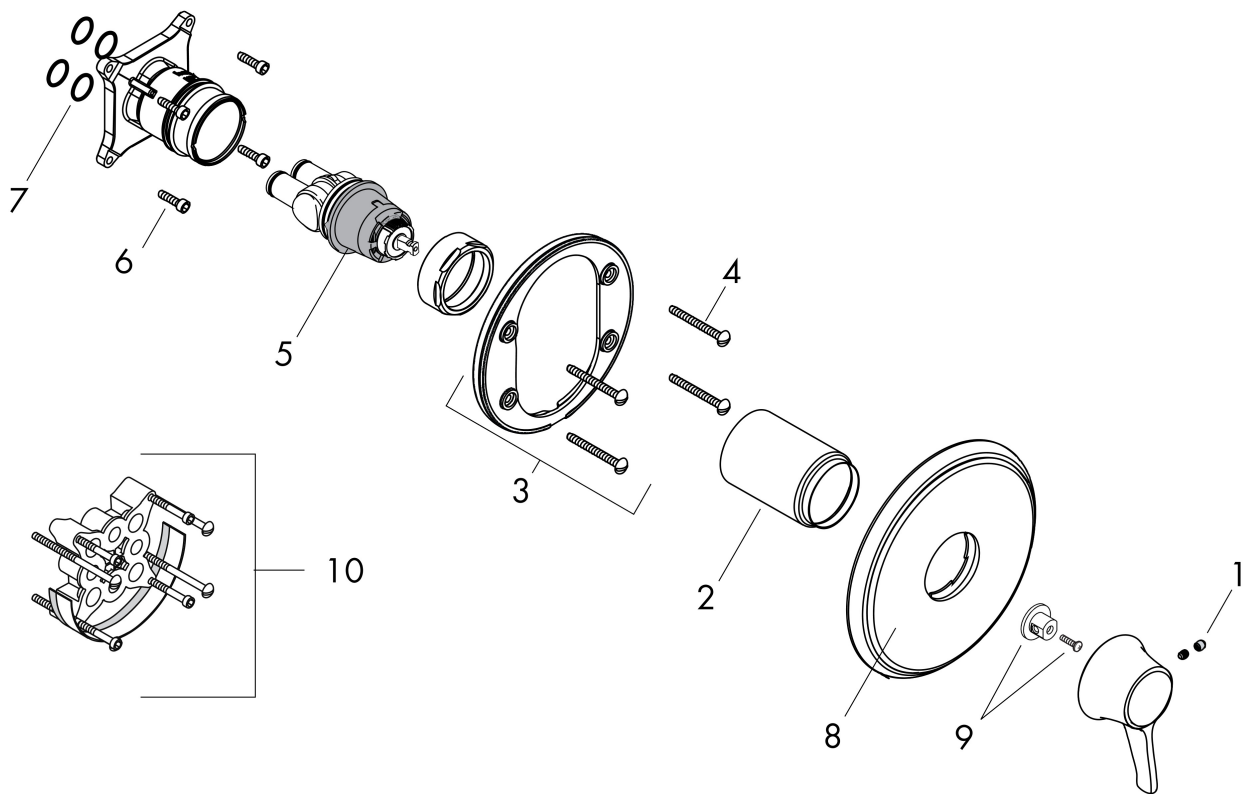
- Temperature and volume control for 1 outlet
- Maximum flow rate (at 3 bar): 20.6 l/min
- Bypass for use with diverter-type tub spouts
- Connection type: base set

## Drawing



Brand hansgrohe  
Art. Name **Ecostat Classic** Pressure Balance Trim, Round  
Art. Nr. 15404001  
Surface Chrome  
Pos. 1

## Spare Parts Drawings for build year: >12/10



Brand hansgrohe  
 Art. Name **Ecostat Classic** Pressure Balance Trim, Round  
 Art. Nr. 15404001  
 Surface Chrome  
 Pos. 1

## Spare parts list for build year: >12/10

Pos.	Description	Article number
1	screw cover	95181000
2	sleeve	88765000
3	holder for escutcheon	98793000
4	set of fixing screws	96454000
5	cartridge, assy	88727000
6	set of screws	96525000
7	O-ring 16x2	98133000
8	escutcheon	88761000
9	adapter for handle	92756000
10	extension 25 mm	13595000
a	extension 22 mm (Ø 170 mm)	13596000
b	base body	01850181