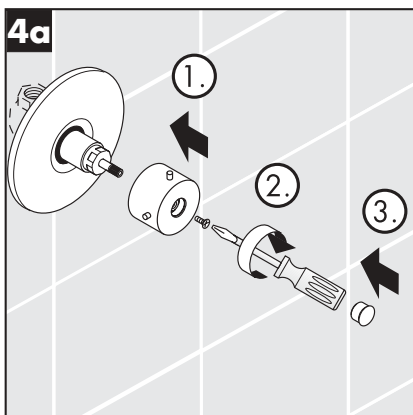
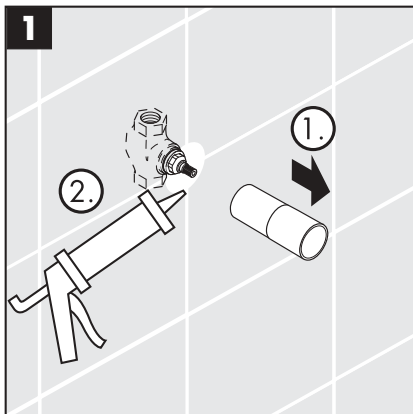


VOLUME CONTROL VALVE 1/2" AND 3/4"

Ref. No.: 10976XX1 / 35976801 /
36976XX1 / 38976XX1 /
15975XX1 / 17955XX1 /
17954XX1

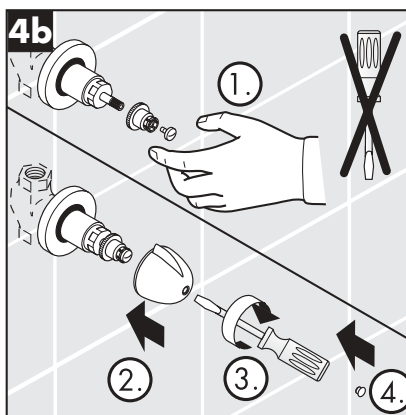
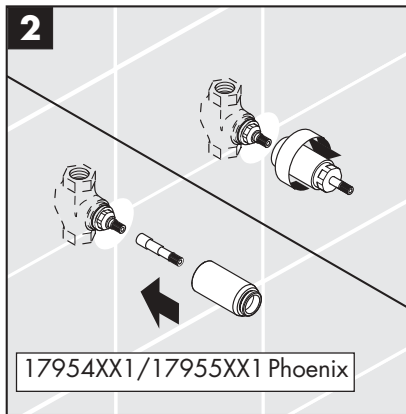
Trim set for series
Starck / Steel / Allegroh / Uno / Mondial
Metris / Elegance / Sportive / Phoenix

Assembly



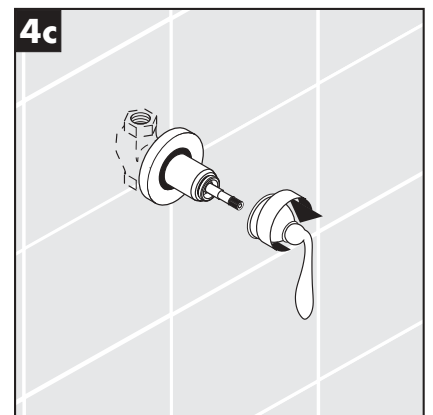
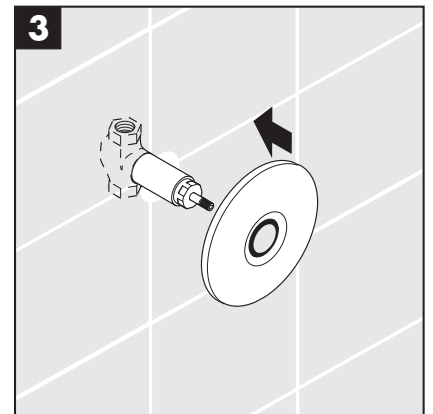
10976XX1 Starck

1. Push the handle onto the shaft.
2. Fix the screw.
3. Cover the hole by the plastic cap.



35976801 Steel / 36976XX1 Allegroh /
38976XX1 Uno
15975XX1 Mondial/Metris/Elegance/Sportive

1. Lock the screw by hand only three turns.
2. Snap on the handle.
3. Fix the screw.
4. Cover the hole by the plastic cap.



17954XX1/17955XX1 Phoenix

Extension Set

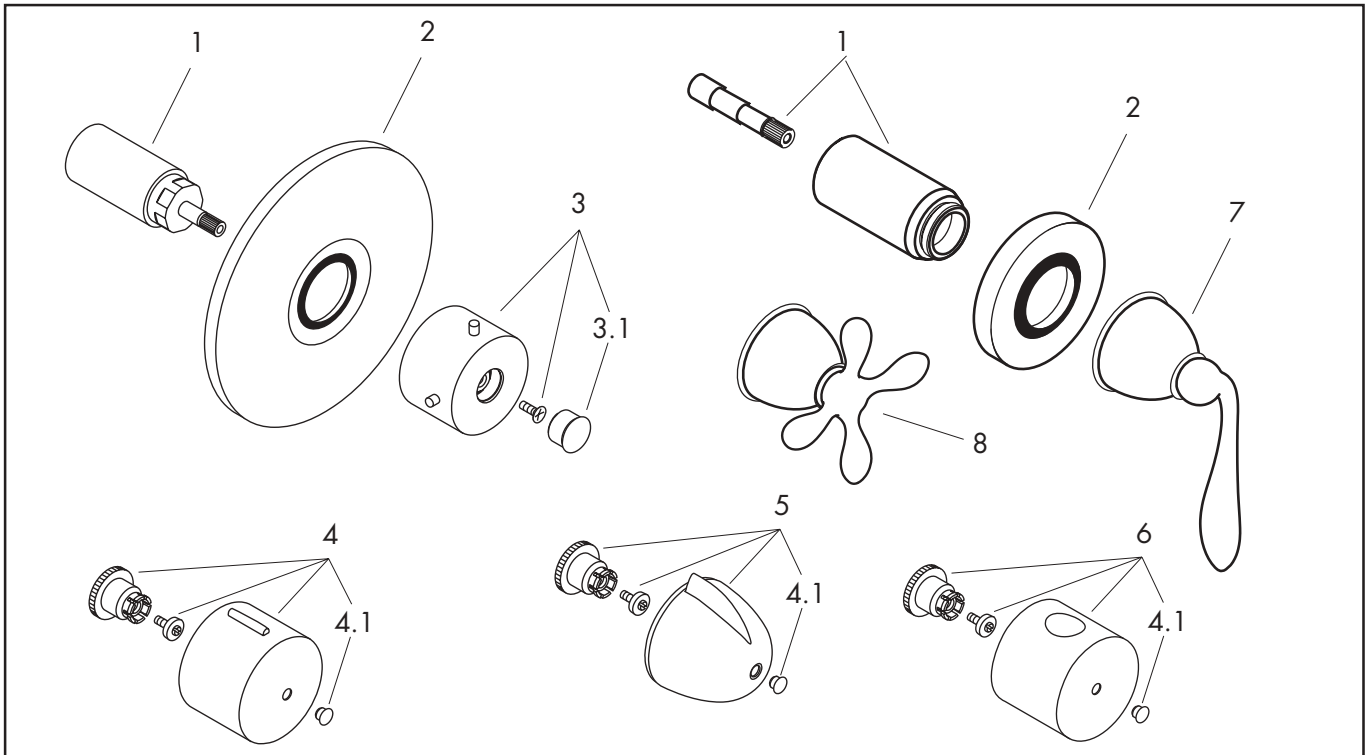
Extension set 1" 13978000
(If needed, please order separately)

Cleaning instructions:

- Clean with a liquid domestic cleaner or with soap suds. Afterwards rinse with clear water and polish with a cloth.
- Do not use any cleaning agents containing acid or scouring agents.
- Damage caused by improper treatment is not subject to our guarantee.

HANSGROHE PRODUCT SERVICE

Spare parts



| | | | | |
|-----|--------------|----------------------------------|--------------|----------|
| 1 | sleeve | Starck/Allegroh/Uno | chrome | 92650000 |
| | sleeve | Starck | satinox | 92650810 |
| | sleeve | Steel | steel | 92650800 |
| | sleeve | Phoenix | chrome | 92654000 |
| | sleeve | Phoenix | satinox | 92654810 |
| 2 | escutcheon | Starck | chrome | 94354000 |
| | escutcheon | Starck | satinox | 94354810 |
| | escutcheon | Allegroh/Uno | | |
| | escutcheon | Mondial/Metris/Elegance/Sportive | chrome | 94353000 |
| | escutcheon | Uno | satinox | 94353810 |
| | escutcheon | Allegroh | satin chrome | 94353880 |
| | escutcheon | Steel | steel | 95017800 |
| | escutcheon | Phoenix | chrome | 94353000 |
| | escutcheon | Phoenix | satinox | 94353810 |
| 3 | handle | Starck | chrome | 10993001 |
| | handle | Starck | satinox | 10993811 |
| 3.1 | screw-cover | Starck | chrome | 96540001 |
| | screw-cover | Starck | satinox | 96540811 |
| 4 | handle | Steel | steel | 35993801 |
| 4.1 | screw-cover | Steel/Allegroh/Uno | grey | 96541001 |
| 5 | handle | Allegroh | | |
| | handle | Mondial/Metris/Elegance/Sportive | chrome | 36993001 |
| | handle | Allegroh | | |
| | handle | Mondial/Metris/Elegance/Sportive | chrome/gold | 36993091 |
| | handle | Allegroh | satin chrome | 36993881 |
| 6 | handle | Uno | chrome | 38993001 |
| | handle | Uno | satinox | 38993811 |
| 7 | lever handle | Phoenix | chrome | 96630001 |
| | lever handle | Phoenix | satinox | 96630811 |
| 8 | cross handle | Phoenix | chrome | 96794001 |
| | cross handle | Phoenix | satinox | 96794811 |