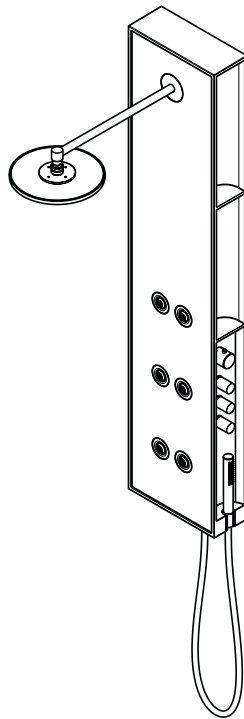


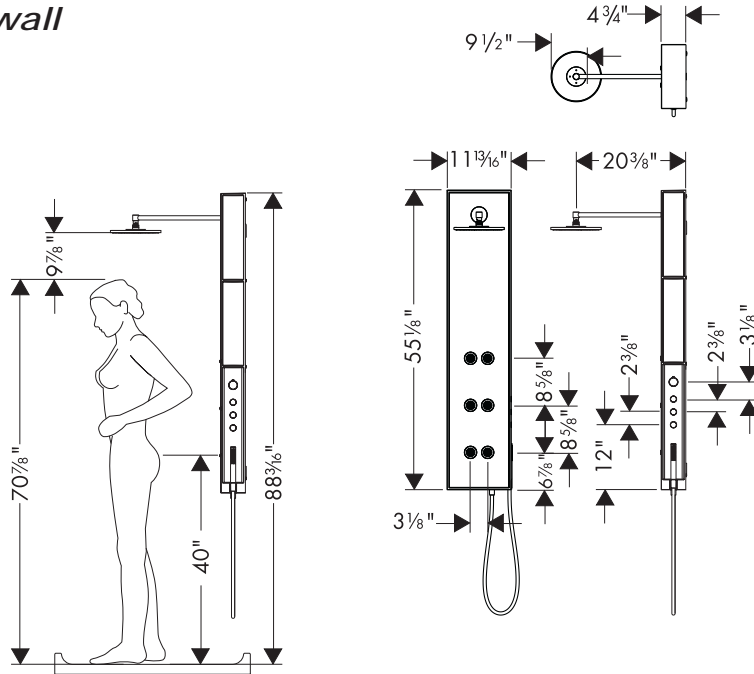
*Installation / Warranty*



*Starck X*  
Waterwall  
10920001

**AXOR**<sup>®</sup>  
hansgrohe

**Starck X Waterwall**  
10920001



**Technical Data**

Flow rate @ 45 psi	
Showerhead	2.5 gpm
Handshower	2.5 gpm
Bodysprays (each)	<1 gpm
Maximum water pressure	145 psi
Recommended water pressure:	30 - 75 psi
Recommended hot water temp.:	120°F - 140°F*

Protection against back siphonage is provided by a check valves in the handshower outlet, and in the hot and cold supply elbows. To insure proper function, the check valves should be removed and cleaned yearly.

This unit incorporates a thermostatic mixing valve, which is anti-scald. The high temperature limit stop may be re-set to comply with local plumbing codes limiting the maximum temperature output of the valve - see page 5 for the procedure.

***Please save this document as it contains user, maintenance, and warranty information.***

\*Some municipalities limit the maximum water temperature from the water heater to 120° or below. Please know and follow all applicable local codes when setting the temperature on the water heater.



### ***Prepare to install the Waterwall:***

The Waterwall requires 1/2" male threaded nipples, extending 5/8" outside the finished wall for the hot and cold water supplies - see the diagram below for placement. For proper operation of the thermostatic mixer, the hot supply should be on the left, and the cold supply should be on the right. Finish and seal the wall prior to installation of the Waterwall.

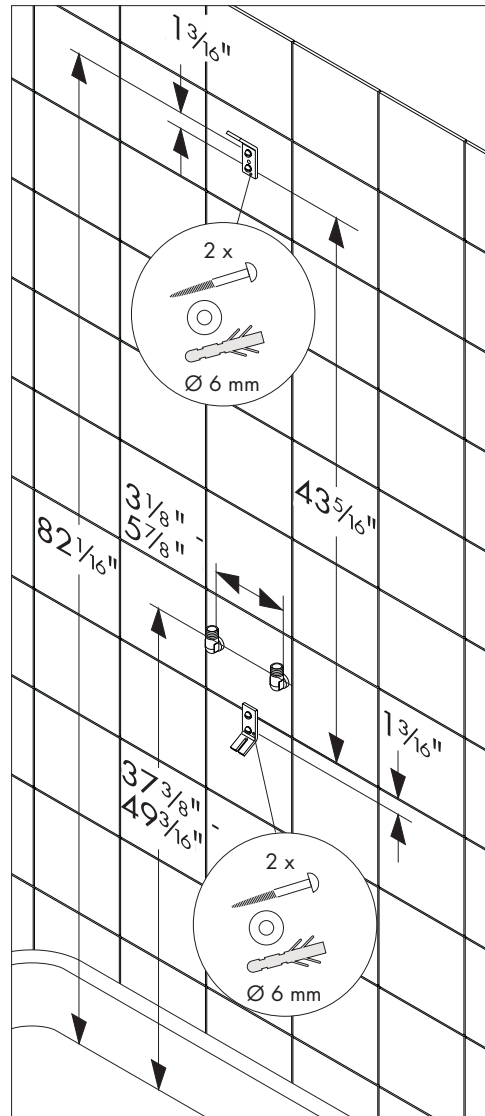
Flush the supply lines thoroughly. Damage to the thermostatic mixer cartridge caused by debris in the water line is not covered under the limited lifetime warranty.

### ***Installation Instructions***

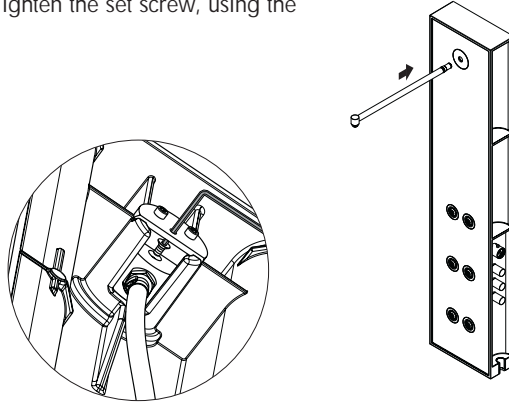
Drill the holes for the top and bottom mounting brackets, using a 6 mm bit suitable for the wall surface. Install the anchors. Seal around the anchors with a compatible, waterproof bathroom sealant.

Screw the mounting brackets to the wall with the screws provided.

Wrap the supply nipples with several layers of Teflon™ tape. Install the elbows to the water supply nipples so that the outlets face upwards.



Push the shower arm into place on the Waterwall. Tighten the set screw, using the allen wrench (included).

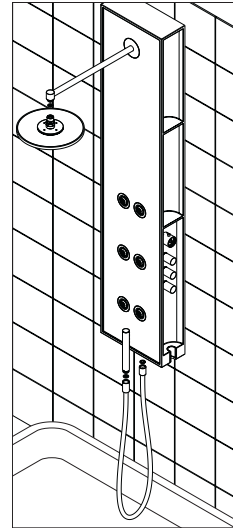
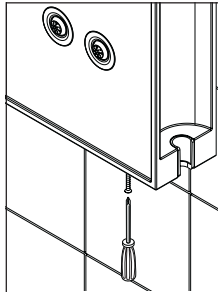
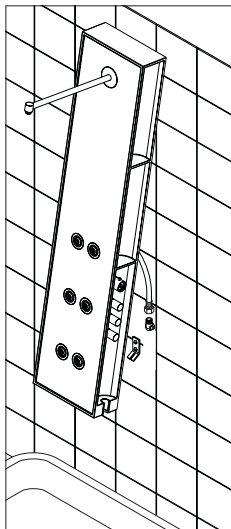


Hang the shower wall on the top mounting bracket. With a helper holding the panel, attach the hoses to the elbows.

Install the bottom retaining screw, and tighten with a screwdriver.

Carefully install the showerhead to the shower arm. Caution: over-tightening will damage the showerhead and/or the shower arm.

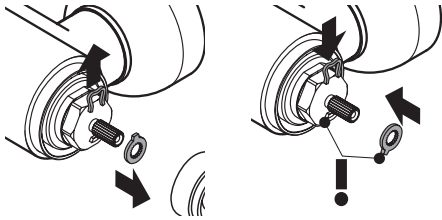
Insert a black rubber washer in the short hose end connection. Screw the short hose end connection to the handshower outlet on the bottom of the Waterwall. Insert the second black rubber washer in the long hose end connection. Screw the long hose end connection to the handshower. Place the handshower in the holder at the side of the Waterwall.



### ***Set the High Temperature Limit Stop (optional):***

Follow these instructions if your local plumbing codes specify a maximum allowable output temperature!

Remove the thermostatic mixer handle. Carefully remove the retaining clip and the stop ring from the stem. Turn the water on to the handshower. Place a thermometer in the water stream. Turn the thermostatic mixer stem until the water coming out is the maximum allowable output temperature (usually 110° - 112°F). Reinstall the stop ring so that it butts against the stop. Reinstall the clip.



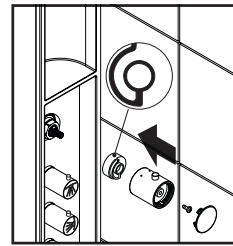
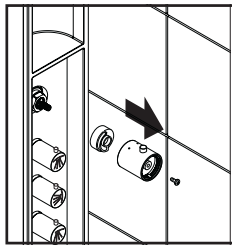
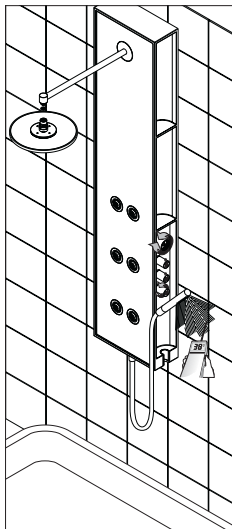
If this is done properly, the stem can be turned no further counter-clockwise, but can be turned clockwise.

### ***Justify the Thermostatic Mixer Handle***

Turn on the water to the handshower.

Place a thermometer in the water stream. Turn the thermostatic mixer handle until the water coming out measures 100°F (38°C). Turn the water off.

Remove the thermostatic mixer handle and the safety set. Reinstall the safety set so that the indicator is at the 12:00 position. Reinstall the handle so that the red safety stop override button is at the 12:00 position. Tighten the handle screw and replace the screw cover.



***SAVE TIME AND FRUSTRATION:*** IF TURNING THE THERMOSTATIC MIXER HANDLE GIVES BOTH HOT AND COLD WATER, ***BUT*** THE WATER DOES NOT MIX, THE HOSES HAVE BEEN ATTACHED TO THE INCORRECT SUPPLIES. PLEASE DISCONNECT THE HOSES, REATTACH THEM TO THE CORRECT SUPPLIES AND TEST THE UNIT ***BEFORE*** CALLING THE HANSGROHE TECHNICAL SERVICE CENTER.

**AXOR**  
hansgrohe

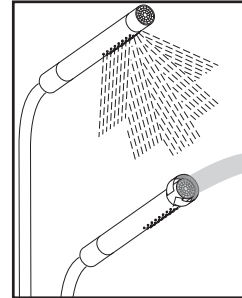
**User Instructions:**

**Using the Thermostatic Mixer:** turn the handle clockwise to obtain cooler water, and counter-clockwise to obtain warmer water. The handle will stop when the water temperature is 100° - this is the safety stop. To obtain water than 100°F, push the red safety stop override button, and continue turning the handle counter-clockwise.

**To turn on the water to the desired function(s),** turn the corresponding volume control handle(s) counter-clockwise. To turn the water off, turn the corresponding volume control handle clockwise.

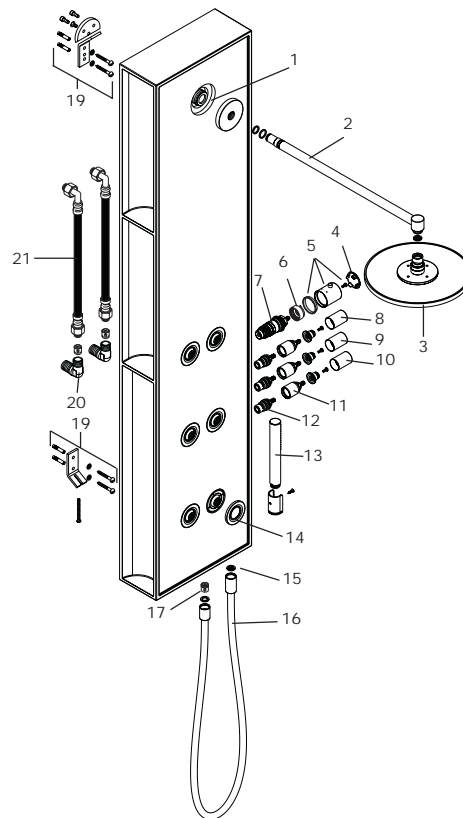
**Using the handshower:** The Starck handshower has two spray modes, full and soft spray. Turn the end of the handshower to select the spray mode.

**Cleaning:** The showerhead and handshower use the Rubit!™ self-cleaning function. If scale deposits are noticed in the spray channels, turn the water on lightly and rub across the channels with a finger or a sponge to clear them.



**Replacement parts**

1	escutcheon	97338000
2	shower arm	97339000
3	head shower	28494000
4	cover	96483000
5	handle for thermostat	96519000
6	safety set for temperature control	95041000
7	thermostat cartridge	94282000
8	handle	97340000
9	handle	97441000
10	handle	97341000
11	sleeve	97342000
12	shut off unit	94009000
13	handshower	28532000
14	escutcheon	97343000
15	hose washer	
16	hose	28282000
17	check valve DW 15	94074000
18	bodyspray	21867000
19	mounting kit	97344000
20	hose connection elbow	
21	connection hose 1500 mm	25965000



## ***Cleaning Recommendation for Hansgrohe Products***

Modern faucetry and shower products utilize a combination of materials to comply with the needs of the market with regard to design and functionality.

To avoid damage, it is necessary to use some caution when cleaning. Damage caused by improper treatment is not covered under the Hansgrohe warranty.

### ***Cleaning Materials for Faucets and Showers***

- To remove lime scale, use only products made specifically for that purpose. Always follow the manufacturer's instructions when using.
- Do not use cleaners that contain hydrochloric, formic, acetic, or phosphoric acids, as these will cause considerable damage to finishes and to plastic components.
- Never mix cleaning materials.
- Never use cleaners containing abrasives. Do not use abrasive cleaning cloths, pads, or sponges.

### ***Cleaning Procedures***

- Clean your faucets and shower products as and when required. Regular cleaning will prevent scale buildup and water spotting.
- Follow the label instructions. Do not allow any cleaner to remain on the product for longer than necessary.
- When using spray cleaners, spray first onto a sponge or cloth – do not spray directly onto the product.
- After cleaning, rinse thoroughly with clear water to remove any cleaner residue.

### ***Important***

- Soap and shampoo residue can also cause damage to the product. Rinse well with clean water after use.
- If the surface is already damaged, harsh cleaning materials will cause further damage.

## ***Limited Lifetime Consumer Warranty***

This product has been manufactured and tested to the highest quality standards by Hansgrohe, Inc. ("Hansgrohe"). This warranty is limited to Hansgrohe products which are purchased by a consumer in the United States after March 1, 1996, and installed in either the United States or Canada.

### ***WHO IS COVERED BY THE WARRANTY***

This warranty extends to the original consumer purchaser only.

### ***WHAT IS COVERED BY THE WARRANTY***

This warranty covers only your Hansgrohe manufactured product. Hansgrohe warrants this product against defects in material or workmanship as follows: Hansgrohe will repair at no charge for parts only or, at its option, replace any product or part of the product which proves defective because of improper workmanship and/or material, under normal installation, use, service and maintenance. If Hansgrohe is unable to provide a replacement and repair is not practical or cannot be timely made, Hansgrohe may elect to refund the purchase price in exchange for the return of the product.

### ***LENGTH OF WARRANTY***

Replacement or repaired parts of products will be covered for the term of this warranty as stated in the following two sentences. If you are a consumer who purchased the product for use primarily for personal, family, or household purposes, this warranty extends for as long as you own the product and the home in which the product is installed. If you purchased the product for use primarily for any other purpose, including, without limitation, a commercial purpose, this warranty extends only (i) for 1 year, with respect to Interaktiv and Retroaktiv products, and (ii) for 5 years, with respect to AXOR, ShowerPower and Pharo products.

### ***THIS WARRANTY DOES NOT COVER, AND HANSGROHE WILL NOT PAY FOR:***

- A. Conditions, malfunctions or damage not resulting from defects in material or workmanship.

- B. Conditions, malfunctions or damage resulting from (1) improper installation, improper maintenance, misuse, abuse, negligence, accident or alteration, or (2) the use of abrasive or caustic cleaning agents or "no rinse" cleaning products, or the use of the product in any manner contrary to the product instructions.
- C. Labor or other expenses for the disconnection or return of the product for warranty service, or for installation or reinstallation of the product.
- D. Accessories or related products not manufactured by Hansgrohe.

***TO OBTAIN WARRANTY SERVICE***

Contact your Hansgrohe retailer, or write to Technical Service at:

Hansgrohe Inc.  
1492 Bluegrass Lakes Parkway  
Alpharetta GA 30004

Or, call Hansgrohe toll-free at (800) 334-0455.

In requesting warranty service, you will need to provide

1. The sales receipt or other evidence of the date and place of purchase.
2. A description of the problem.
3. Delivery of the product or the defective part, postage prepaid and carefully packed and insured, to Hansgrohe Inc. 1492 Bluegrass Lakes Parkway, Alpharetta, Georgia 30004, Attention: Technical Service, if required by Hansgrohe.

When warranty service is completed, any repaired or replacement product or part will be returned to you postage prepaid.

***EXCLUSIONS AND LIMITATIONS***

***REPAIR OR REPLACEMENT (OR, IN LIMITED CIRCUMSTANCES, REFUND OF THE PURCHASE PRICE) AS PROVIDED UNDER THIS WARRANTY IS THE EXCLUSIVE REMEDY OF THE PURCHASER. HANSGROHE NEITHER ASSUMES NOR AUTHORIZES ANY PERSON TO CREATE FOR IT ANY OBLIGATION OR LIABILITY IN CONNECTION WITH THIS PRODUCT.***

***HANSGROHE SHALL NOT BE LIABLE TO PURCHASER OR ANY PERSON FOR ANY INCIDENTAL, SPECIAL, OR CONSEQUENTIAL DAMAGES, ARISING OUT OF BREACH OF THIS WARRANTY OR ANY IMPLIED WARRANTY (INCLUDING MERCHANTABILITY).***

Some States do not allow the exclusion or limitation of incidental or consequential damages, so the above limitation or exclusion may not apply to you.

This warranty gives you specific legal rights, and you may have other rights which vary from State to State.

You may be required by law to give us a reasonable opportunity to correct or cure any failure to comply before you can bring any action in court against us under the Magnuson-Moss Warranty Act.

***PRODUCT INSTRUCTIONS AND QUESTIONS***

Upon purchase or prior to installation, please carefully inspect your Hansgrohe product for any damage or visible defect. Prior to installing, always carefully study the enclosed instructions on the proper installation and the care and maintenance of the product. If you have questions at any time about the use, installation, or performance of your Hansgrohe product, or this warranty, please call or write to us at the toll-free number and address printed above.

***Hansgrohe Inc.***  
1490 Bluegrass Lakes Parkway  
Alpharetta GA 30004  
770 360 9880  
website: [www.hansgrohe-USA.com](http://www.hansgrohe-USA.com)