

## Product Features

- Lever handle
- Flow rate 6.5 gpm @ 44 psi

## Available Finishes

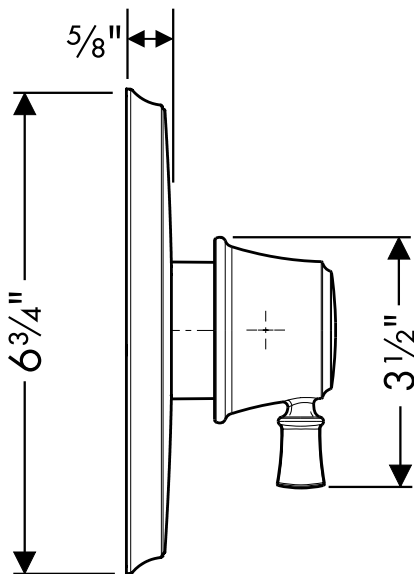
Chrome	04223000
Oil Rub Bronze	04223620
Brushed Nickel	04223820
Polished Nickel	04223830
Rubbed Bronze	04223920
Polished Brass	04223930

## Required Accessories

iBox Universal Plus	01850181
---------------------	----------

## Optional Accessories

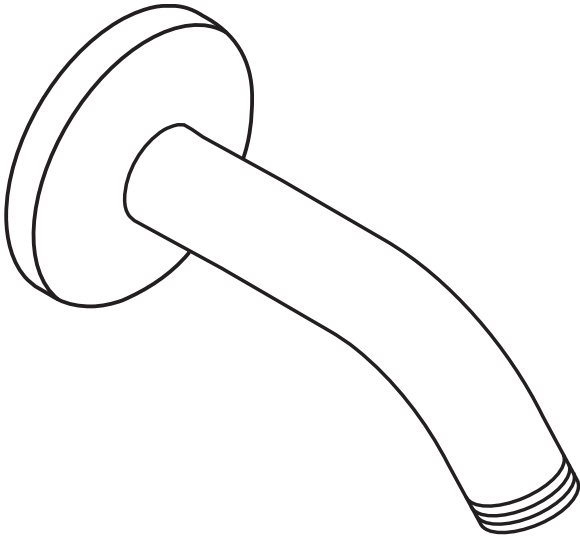
Shallow extension set	13596XX0
-----------------------	----------



The measurements shown are for reference only.

Products and specifications shown are subject to change without notice.

Specification sheet revised 12/2009

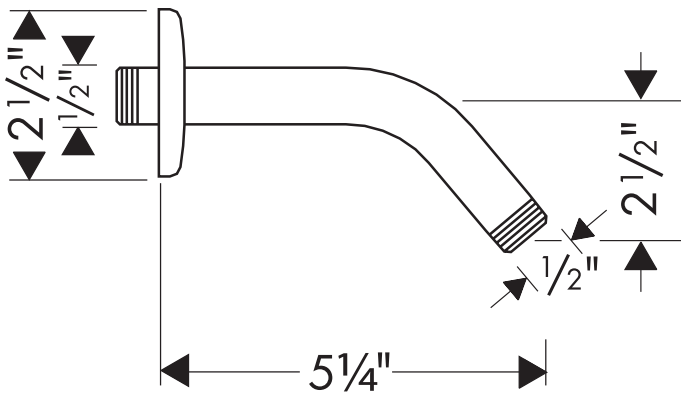


## Product Features

- 1/2" male inlet
- Includes escutcheon
- Not for use with oversized or square showerheads

## Available Finishes

Chrome	27411003
Oil Rubbed Bronze	27411623
Brushed Nickel	27411823
Polished Nickel	27411833
Rubbed Bronze	27411923
Polished Brass	27411933



## Optional Accessories

C Escutcheon for standard showerarm	04068XX0
-------------------------------------	----------

The measurements shown are for reference only.

Products and specifications shown are subject to change without notice.

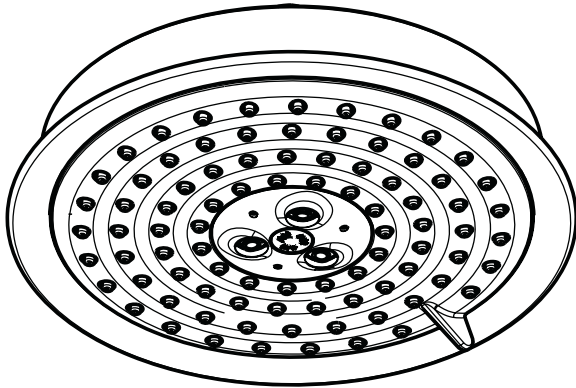
Specification sheet revised 1/2009

# Raindance C 150 AIR 3-Jet Showerhead

28471xx1

AIR  
POWER

QUICK  
CLEAN



## Product Features

- Oversized spray face
- AIR injection technology
- Three spray modes: Rain AIR, Balance AIR, Whirl AIR
- 1/2" female inlet
- 86 no-clog spray channels
- 2.5 GPM

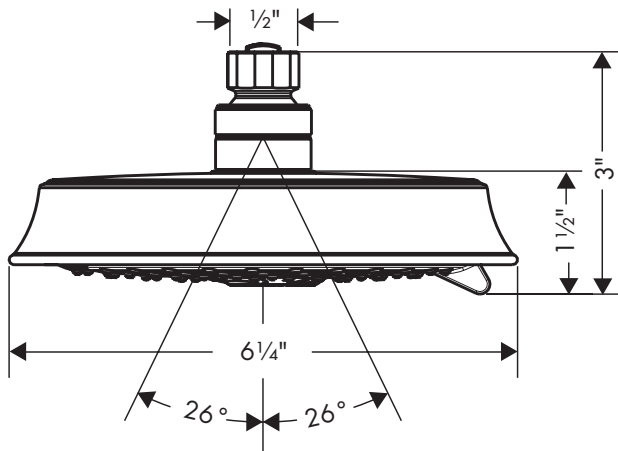
## Code Compliance

This unit meets or exceeds the following:

- ASME A112.18.1 / CSA B125.1
- Listed by IAPMO

## Available Finishes

Chrome	28471001
Oil Rub Bronze	28471621
Brushed Nickel	28471821
Polished Nickel	28471831
Rubbed Bronze	28471921
Polished Brass	28471931

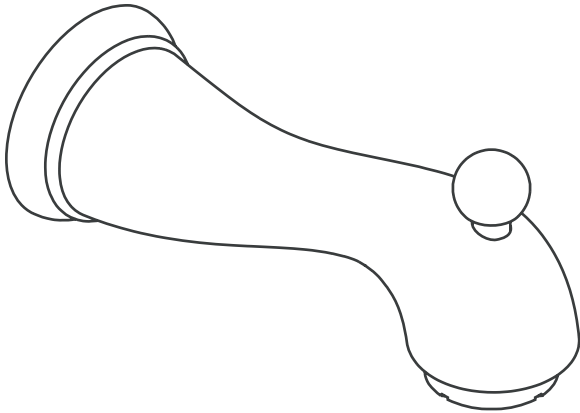


The measurements shown are for reference only.

Products and specifications shown are subject to change without notice.

Specification sheet revised 10/2010

**hansgrohe**



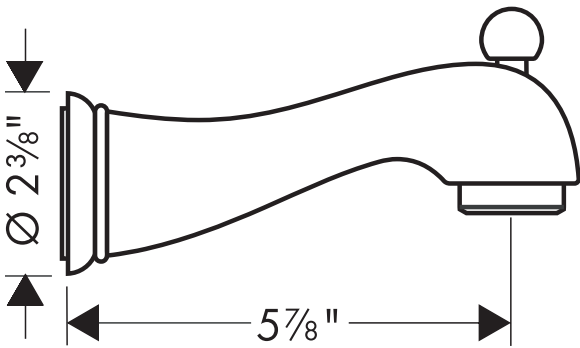
## Product Features

- Solid brass
- 1/2" female NPT inlet
- For use with roughs 06300000, 06301000, 06348000, 06349000

## Code Compliance

This unit meets or exceeds the following:

- ASME A112.18.1
- CSA B125.1
- Listed by IAPMO
- Approved for use in Massachusetts



## Available Finishes

Chrome	06089000
Oil Rubbed Bronze	06089620
Brushed Nickel	06089820
Polished Nickel	06089830
Rubbed Bronze	06089920

The measurements shown are for reference only.

Products and specifications shown are subject to change without notice.

Specification sheet revised 1/2009