

Product Features

- Lever handle
- Flow rate 6.5 gpm @ 44 psi

Available Finishes

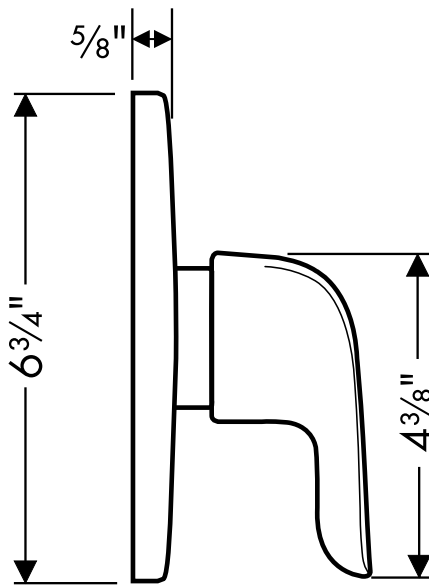
Chrome	04228000
Brushed Nickel	04228820
Polished Nickel	04228830
Polished Brass	04228930

Required Accessories

iBox Universal Plus	01850181
---------------------	----------

Optional Accessories

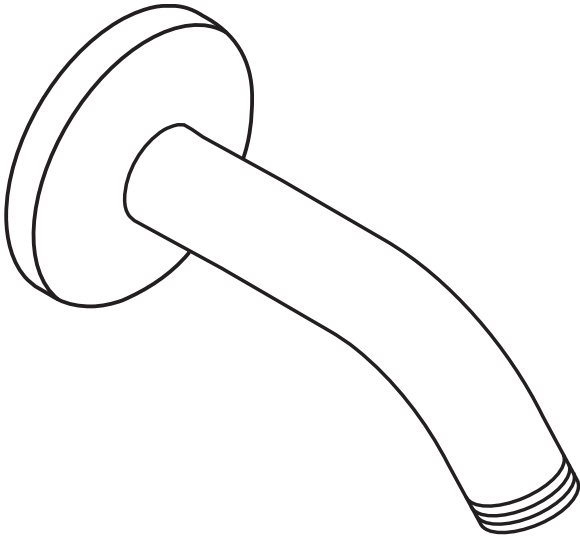
Shallow extension set	13596XX0
-----------------------	----------



The measurements shown are for reference only.

Products and specifications shown are subject to change without notice.

Specification sheet revised 12/2009

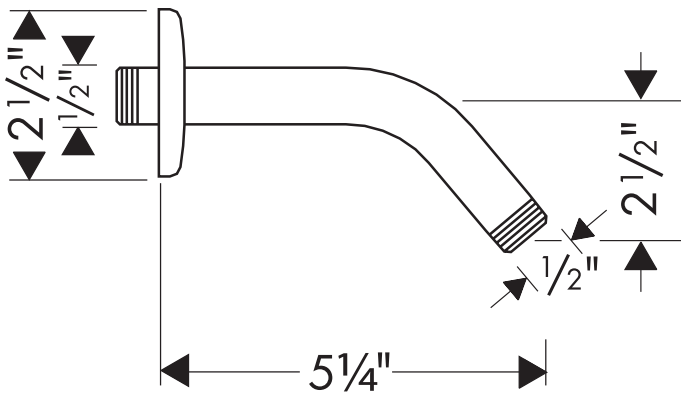


Product Features

- 1/2" male inlet
- Includes escutcheon
- Not for use with oversized or square showerheads

Available Finishes

Chrome	27411003
Oil Rubbed Bronze	27411623
Brushed Nickel	27411823
Polished Nickel	27411833
Rubbed Bronze	27411923
Polished Brass	27411933



Optional Accessories

C Escutcheon for standard showerarm	04068XX0
-------------------------------------	----------

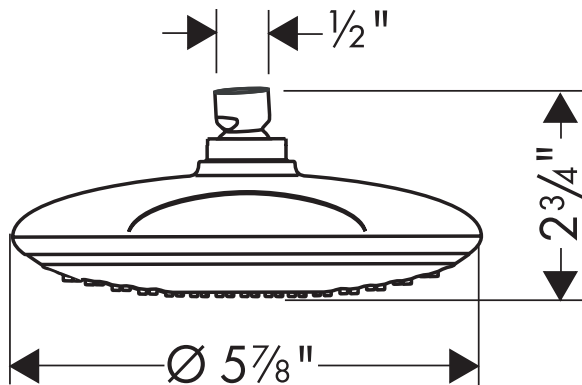
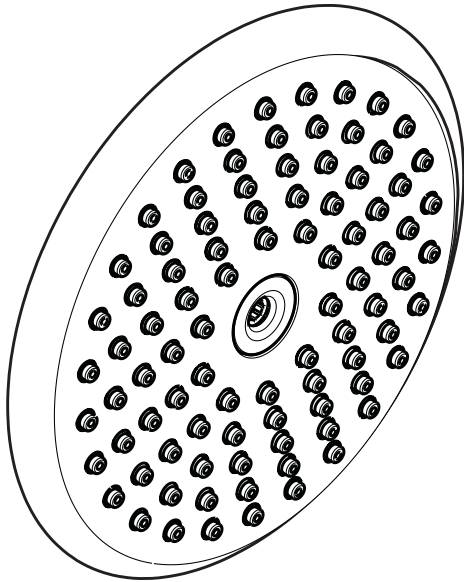
The measurements shown are for reference only.

Products and specifications shown are subject to change without notice.

Specification sheet revised 1/2009

AIR
POWER

QUICLEAN



Product Features

- Oversized spray face
- AIR injection technology
- Refreshing full spray
- 96 no-clog spray channels
- Quiclean™ self cleaning system
- 2.5 gpm max.

Code Compliance

This unit meets or exceeds the following:

- ASME A112.18.1
- CSA B125.1
- Listed by IAPMO
- Approved for use in Massachusetts

Available Finishes

Chrome	27466001
Brushed Nickel	27466821
Polished Nickel	27466831
Polished Brass	27466931

The measurements shown are for reference only.

Products and specifications shown are subject to change without notice.

Specification sheet revised 8/2009