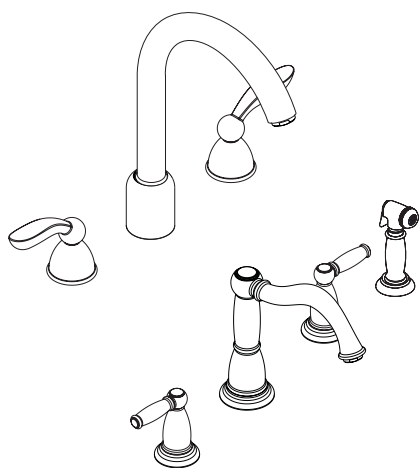


Installation Instructions / Warranty



Widespread Kitchen Faucets
Widespread Kitchen Faucets
with Veggie Spray

hansgrohe

Widespread Kitchen Faucets

These instructions cover the following models:

Tango, Cross handle
06051XXX*
06057XXX

Tango, Scroll handle
06050XXX*
06056XXX

Tango, Lever handle
06049XXX*
06055XXX

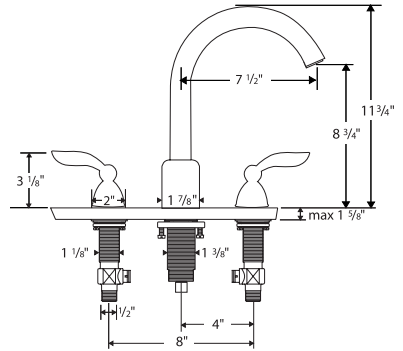
Tango (Proaktiv**) 06323XXX
Solaris 06547XXX
Stratos 06562XXX
Metro 06569XXX

* includes veggie spray
** handles not included, sold separately

Technical Information

Recommended water pressure	45 - 80 psi
Recommended hot water temp.	120° - 140° F*
Flow rate	2.2 gpm
Hole sizes	
valves	1 1/4"
spout	1 1/2"
veggie spray	1 1/4"
Maximum mounting surface thickness	
faucet	1 5/8"
veggie spray	1 1/8"

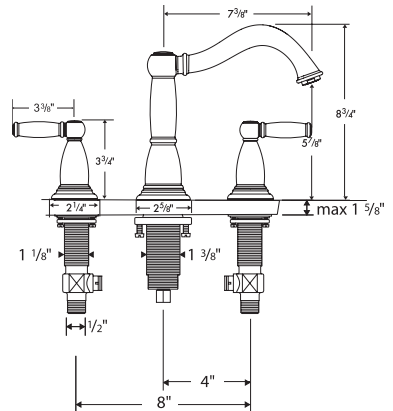
*Know and follow all applicable local codes when setting the temperature on the water heater. In Massachusetts, the water heater may be set no higher than 112°F.



Interaktiv (Solaris handles shown)

Installation Considerations

- For best results, Hansgrohe recommends installation by a licensed professional plumber.
- Large differences in pressure between the hot and cold supplies should be balanced.
- This faucet requires 1/2" supply lines. These are not included with the faucet, and are not available from Hansgrohe.
- Optional veggie sprays are available for faucets that do not include one.
- It is normal for water to come from the spout while the veggie spray is in use.



Tango (lever handles shown)

Installation

Install the hot and cold valves

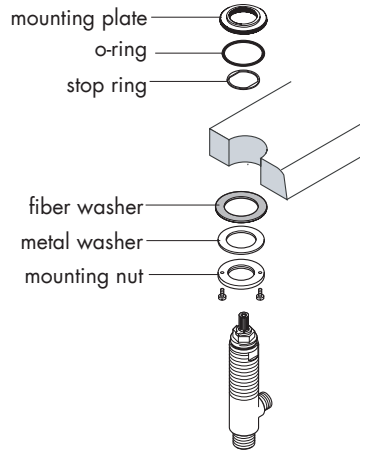
Install the mounting nut, metal washer, and fiber washer on the valve.

Install the o-ring in the mounting plate. Install the stop ring on the valve.

Insert the valve through the hole in the deck from the below the mounting surface. The hot valve is marked with a red dot.

Thread the mounting plate onto the valve as far as it will go — the stop ring will stop it at the proper height. Rest the valve on the mounting surface. Turn the valve so that the outlet port points toward the center.

Tighten the mounting nut and the tensioning screws.



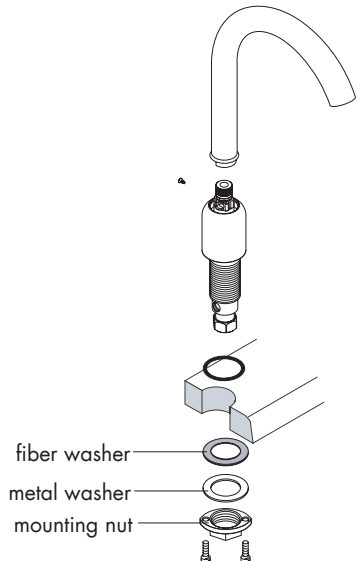
Install the spout (Solaris, Stratos, Metro only)

Place the body and sealing ring on top of the mounting surface.

Install the fiber washer and metal washer. Install and tighten the mounting nut. Tighten the tensioning screws.

Remove the set screw on the back of the body.

Align the spout with the body and press down firmly. Install and tighten the set screw.

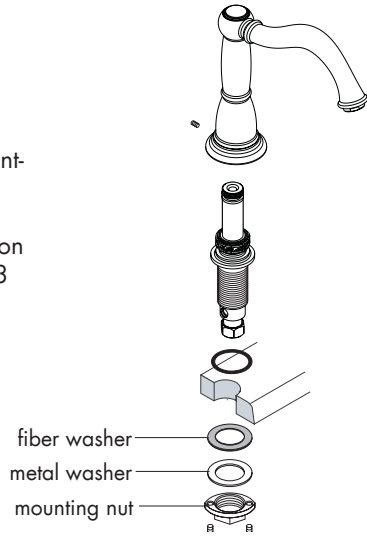


Install the spout (Tango only)

Place the spout body with sealing ring on the mounting surface.

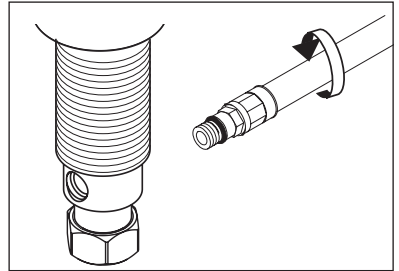
Install the fiber washer, metal washer, and mounting nut. Tighten the tensioning screws.

Position the spout over the spout body. Push it on firmly. Tighten the set screw with the included 3 mm allen wrench.



Install the connection hoses (all models)

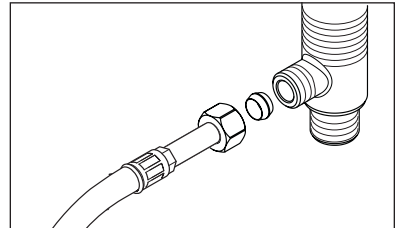
Firmly screw the female threaded end of one of the supply hoses into one of the side ports on the spout body. Do not over tighten, or damage to the o-ring may result.



Install a compression nut and a compression ferrule to the other end of the hose.

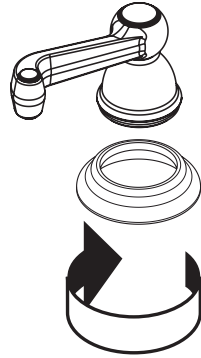
Insert the shank of the flexible connection hose into the outlet port of the valve. Tighten wrench tight.

Repeat with the other valve and hose.

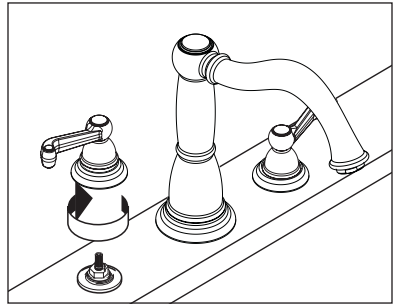


Install the handles

Tango only: Install the deco rings on the handles.



All models: Hold the lever or cross part of the handle in the desired "off" position with one hand. With the other hand, turn the bell part of the handle clockwise, so that it threads down over the valve stem.



Connect 1/2" supply lines (not included) to the hot and cold valves.

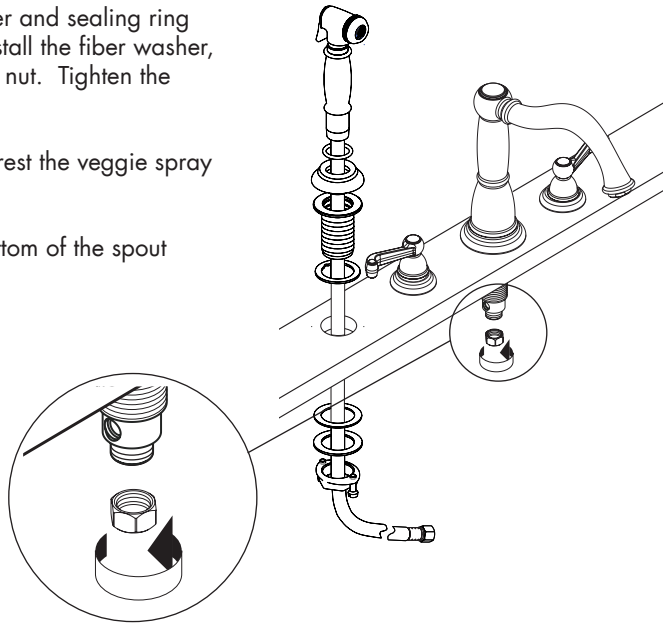
Turn on the water and check all connections for leaks.

Install the veggie spray (Included with some models of Tango faucets)

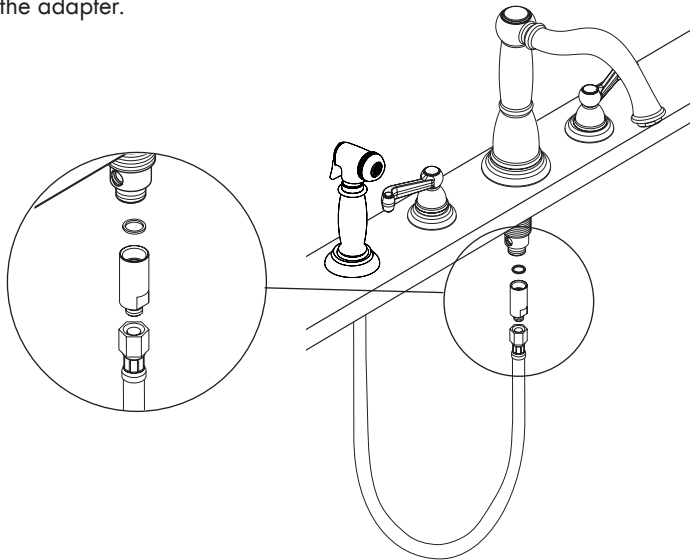
Place the veggie spray holder and sealing ring on the mounting surface. Install the fiber washer, metal washer, and mounting nut. Tighten the tensioning screws.

Feed the hose through, and rest the veggie spray in the holder.

Unscrew the nut from the bottom of the spout body.



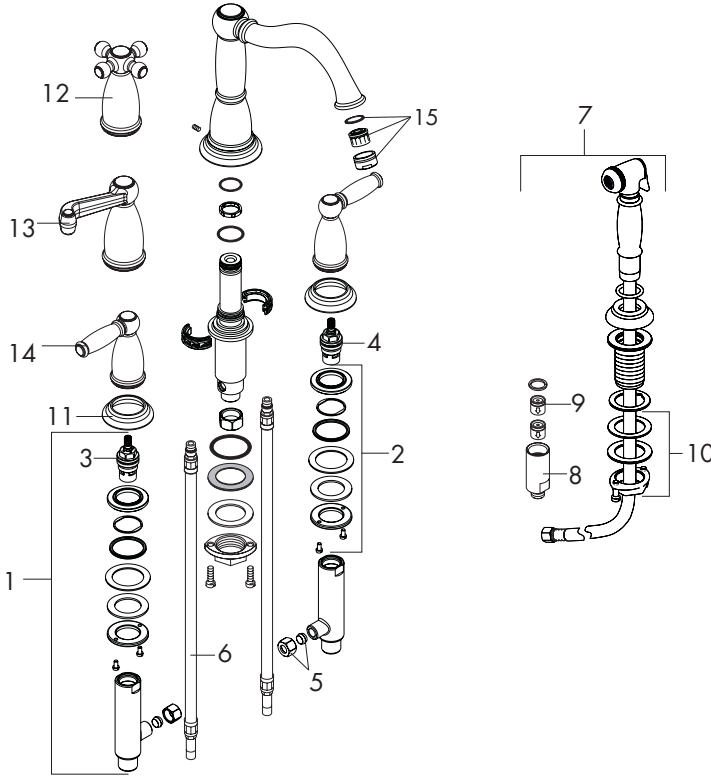
Install the adapter with the sealing ring. Install the veggie spray hose on the adapter.



Note: Water will continue to come from the spout while the veggie spray is in use. This prevents water hammer, and is not a product defect.

Replacement Parts

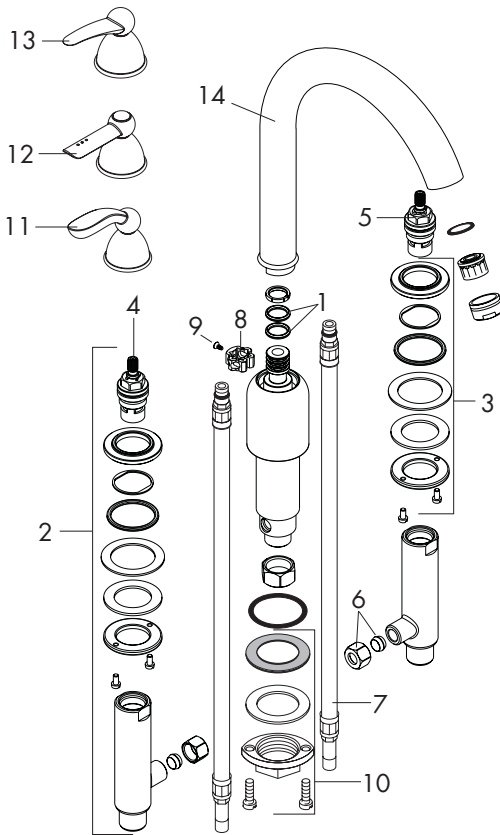
Tango



1	valve set	88503000
2	mounting kit	88540000
3	hot cartridge	94009000
4	cold cartridge	94008000
5	3/8" compression fittings	88513000
6	connection hose	88596000
7	veggie spray set	06340XXX
8	adapter	19170061
9	check valve	94074000
10	mounting kit	13961000
11	deco ring	88600XXX
12	cross handle set	06326XXX
13	scroll handle set	06325XXX
14	lever handle set	06324XXX
15	aerator	13085XXX

XXX = color
 000 = chrome
 620 = oil rub bronze
 820 = brushed nickel
 830 = polished nickel
 930 = polished brass

Solaris, Stratos, Metro



1	sealing set	92636000
2	valve set	88503000
3	mounting set	88540000
4	hot cartridge	94009000
5	cold cartridge	94008000
6	3/8" compression fittings	88513000
7	connection hose	88596000
8	axial ring	97558000
9	screw	97662000
10	mounting set	95049000
11	Solaris handle set	06850XXX
12	Stratos handle set	06852XXX
13	Metro handle set	06853XXX
14	spout	92830XXX

XXX = colors
 000 = chrome
 860 = Steel Optik

Cleaning Recommendation for Hansgrohe Products

Modern sanitary faucetry and shower fixtures consist of very different materials to comply with the needs of the market with regard to design and functionality.

To avoid damage and returns, it is necessary to consider certain points when cleaning:

Cleaning materials for faucets and shower products:

Acids are necessary ingredients of cleaning materials for removing lime. However, please pay attention to the following points when cleaning faucets and shower products:

- Use only cleaning materials intended for the application.
- Never use cleaning materials which contain hydrochloric, formic, or phosphoric, or acetic acid, as these can cause considerable damage.
- Do not mix one cleaning material with another.
- Do not use abrasives, such as cleaning powders, sponge pads, or microfiber cloths.

Cleaning Instructions for Faucets and Shower Products:

Please follow the cleaning material manufacturer's instructions. In addition, please note the following:

- Clean your faucets and shower products as and when required.
- Follow the label instructions. Do not allow any cleaner to remain on the product for longer than necessary.
- Regular cleaning will prevent scale buildup and water spotting.
- When using spray cleaners, spray first onto a sponge or cloth. Do not spray directly onto the faucet or shower product as drops could enter openings or gaps and cause damage.
- After cleaning, rinse thoroughly with clear water to remove any cleaner residue.

Important

Residues of liquid soaps, shampoos, and shower foams can also cause damage, so rinse with clean water after using.

Please note:

- If the surface is already damaged, the effect of cleaning materials will cause further damage.
- Components with damaged surfaces must be replaced, otherwise, this could cause injury.
- Damage caused by improper treatment will not be covered by our warranty.

Limited Lifetime Consumer Warranty

This product has been manufactured and tested to the highest quality standards by Hansgrohe, Inc. ("Hansgrohe"). This warranty is limited to Hansgrohe products which are purchased by a consumer in the United States after March 1, 1996, and installed in either the United States or Canada.

WHO IS COVERED BY THE WARRANTY

This warranty extends to the original consumer purchaser only.

WHAT IS COVERED BY THE WARRANTY

This warranty covers only your Hansgrohe manufactured product. Hansgrohe warrants this product against defects in material or workmanship as follows: Hansgrohe will repair at no charge for parts only or, at its option, replace any product or part of the product which proves defective because of improper workmanship and/or material, under normal installation, use, service and maintenance. If Hansgrohe is unable to provide a replacement and repair is not practical or cannot be timely made, Hansgrohe may elect to refund the purchase price in exchange for the return of the product.

LENGTH OF WARRANTY

Replacement or repaired parts of products will be covered for the term of this warranty as stated in the following two sentences. If you are a consumer who purchased the product for use primarily for personal, family, or household purposes, this warranty extends for as long as you own the product and the home in which the product is installed. If you purchased the product for use primarily for any other purpose, including, without limitation, a commercial purpose, this warranty extends only (i) for 1 year, with respect to Interaktiv and Retroaktiv products, and (ii) for 5 years, with respect to AXOR, ShowerPower and Pharo products.

THIS WARRANTY DOES NOT COVER, AND HANSGROHE WILL NOT PAY FOR:

- A. Conditions, malfunctions or damage not resulting from defects in material or workmanship.
- B. Conditions, malfunctions or damage resulting from (1) improper installation, improper maintenance, misuse, abuse, negligence, accident or alteration, or (2) the use of abrasive or caustic cleaning agents or "no rinse" cleaning products, or the use of the product in any manner contrary to the product instructions.
- C. Labor or other expenses for the disconnection or return of the product for warranty service, or for installation or reinstallation of the product.
- D. Accessories or related products not manufactured by Hansgrohe.

TO OBTAIN WARRANTY SERVICE

Contact your Hansgrohe retailer, or write to Technical Service at:

Hansgrohe Inc.
1492 Bluegrass Lakes Parkway
Alpharetta GA 30004

Or, call Hansgrohe toll-free at (800) 334-0455.

In requesting warranty service, you will need to provide

1. The sales receipt or other evidence of the date and place of purchase.
2. A description of the problem.
3. Delivery of the product or the defective part, postage prepaid and carefully packed and insured, to Hansgrohe Inc. 1492 Bluegrass Lakes Parkway, Alpharetta, Georgia 30004, Attention: Technical Service, if required by Hansgrohe.

When warranty service is completed, any repaired or replacement product or part will be returned to you postage prepaid.

EXCLUSIONS AND LIMITATIONS

REPAIR OR REPLACEMENT (OR, IN LIMITED CIRCUMSTANCES, REFUND OF THE PURCHASE PRICE) AS PROVIDED UNDER THIS WARRANTY IS THE EXCLUSIVE REMEDY OF THE PURCHASER. HANSGROHE NEITHER ASSUMES NOR AUTHORIZES ANY PERSON TO CREATE FOR IT ANY OBLIGATION OR LIABILITY IN CONNECTION WITH THIS PRODUCT.

HANS GROHE SHALL NOT BE LIABLE TO PURCHASER OR ANY PERSON FOR ANY INCIDENTAL, SPECIAL, OR CONSEQUENTIAL DAMAGES, ARISING OUT OF BREACH OF THIS WARRANTY OR ANY IMPLIED WARRANTY (INCLUDING MERCHANTABILITY).

Some States do not allow the exclusion or limitation of incidental or consequential damages, so the above limitation or exclusion may not apply to you.

This warranty gives you specific legal rights, and you may have other rights which vary from State to State.

You may be required by law to give us a reasonable opportunity to correct or cure any failure to comply before you can bring any action in court against us under the Magnuson-Moss Warranty Act.

PRODUCT INSTRUCTIONS AND QUESTIONS

Upon purchase or prior to installation, please carefully inspect your Hansgrohe product for any damage or visible defect. Prior to installing, always carefully study the enclosed instructions on the proper installation and the care and maintenance of the product. If you have questions at any time about the use, installation, or performance of your Hansgrohe product, or this warranty, please call or write to us at the toll-free number and address printed above.

hansgrohe

Hansgrohe, Inc. • 1490 Bluegrass Lakes Parkway • Alpharetta, GA 30004
Tel. 770 360-9880 • Fax 770 360 9887

www.hansgrohe-USA.com