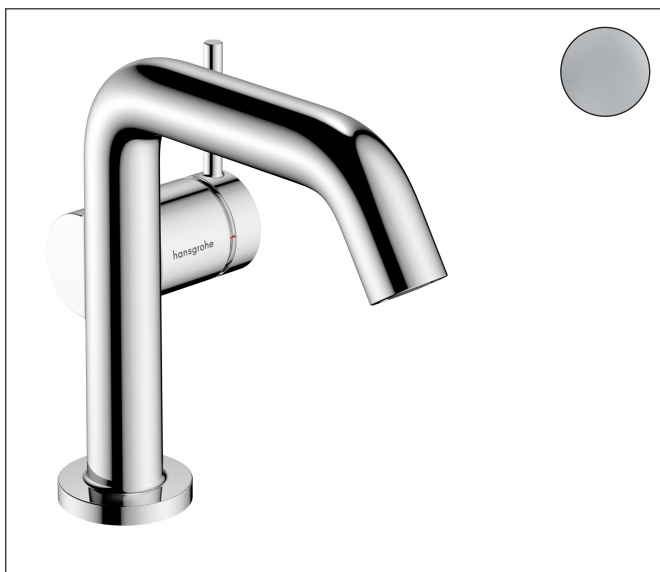


Brand hansgrohe  
 Art. Name **Tecturis S** Single-Hole Fine 110, 1.2 GPM  
 Art. Nr. 73321001  
 Product Finish chrome  
 Pos. 7



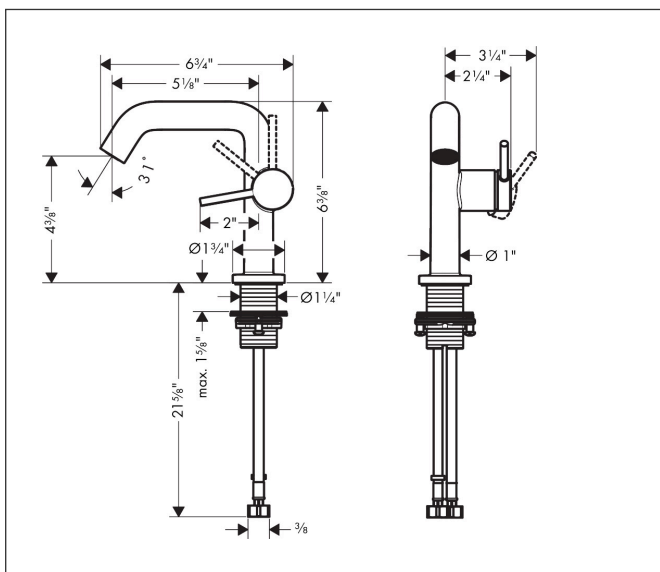
## Product Picture



## Features

- Spout height: 4 Inch
- Handle variant: Lever
- Spray modes: aerated spray
- Flow: 1.2 GPM (4.5 L/Min)
- Ceramic cartridge

## Drawing



## Technology

