

Brand hansgrohe  
 Art. Name **Tecturis E** Single-Hole Fine 240, 1.2 GPM  
 Art. Nr. 73072001  
 Product Finish chrome  
 Pos. 13



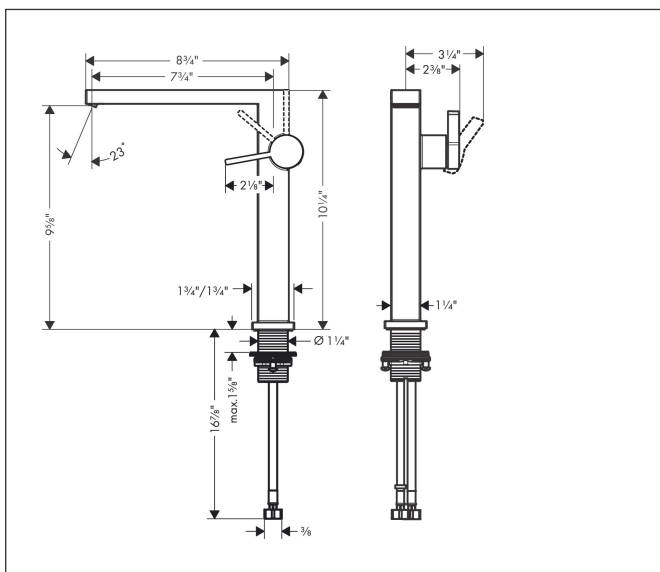
## Product Picture



## Features

- Spout height: 243 mm
- Handle variant: Lever
- Spray modes: WaterfallStream
- Flow: 1.2 GPM (4.5 L/Min)
- Ceramic cartridge

## Drawing



## Technology



## Codes / Standards

- CEC/California/Watersaving
- cUPC/IAPMO/3016/Lavs/1,2gpm
- ADA/IAPMO/3016
- WaterSense/IAPMO/5921/Lavs