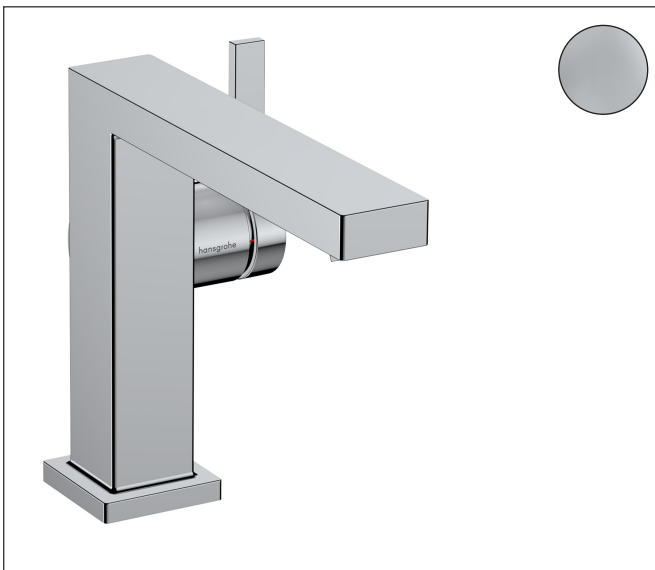


Brand hansgrohe
 Art. Name **Tecturis E** Single-Hole Fine 110, 1.2 GPM
 Art. Nr. 73021001
 Product Finish chrome
 Pos. 7



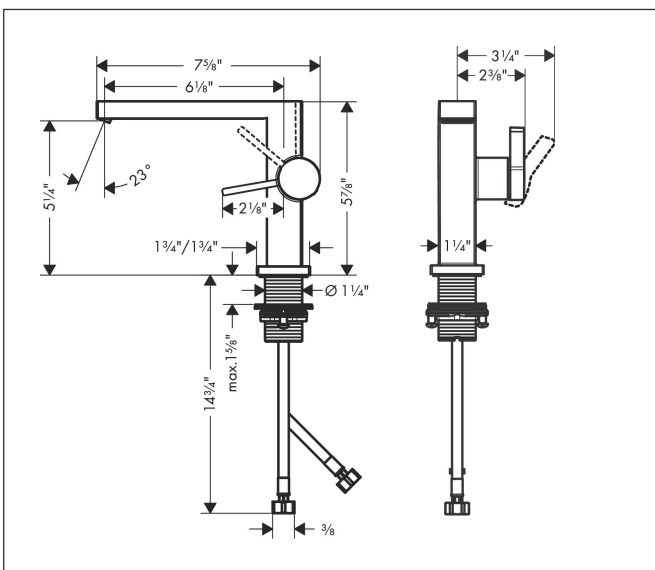
Product Picture



Features

- Spout height: 133 mm
- Handle variant: Lever
- Spray modes: WaterfallStream
- Flow: 1.2 GPM (4.5 L/Min)
- Ceramic cartridge

Drawing



Technology



Codes / Standards

- CEC/California/Watersaving
- cUPC/IAPMO/3016/Lavs/1,2gpm
- ADA/IAPMO/3016
- WaterSense/IAPMO/5921/Lavs