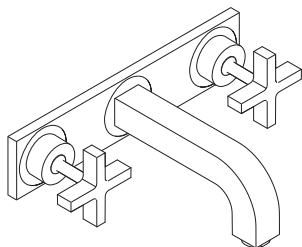
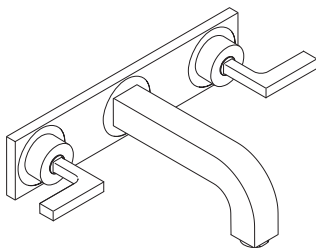


# Installation Instructions / Warranty



**Axor Citterio**

39144XX1

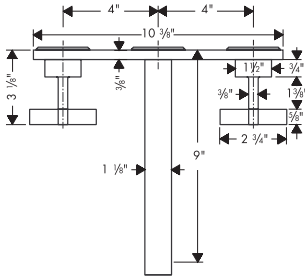


**Axor Citterio**

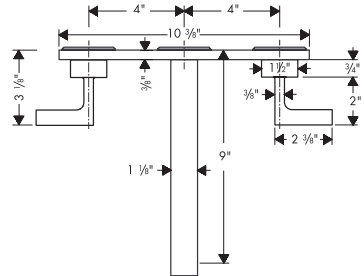
39148XX1

**hangrohe**

Axor Citterio Wall Mount Lav Mixer with Cross Handles 39144XX1  
 Axor Citterio Wall Mount Lav Mixer with Lever Handles 39148XX1



39144XX1



39148XX1

**Technical Data**

|                              |                |
|------------------------------|----------------|
| Flow rate @ 45 psi           | 2.2 gpm        |
| Maximum water pressure       | 145 psi        |
| Recommended water pressure:  | 14.5 - 75 psi  |
| Recommended hot water temp.: | 120°F - 140°F* |

\*Please know and follow all applicable local codes when setting the temperature on the water heater. In Massachusetts, the water heater may be set no higher than 112°F.

**Installation Consideration**

For best results, this unit should be installed by a licensed, professional plumber.

Rough-in 10303181 must be installed, and the wall finished, prior to installation of this trim kit.

For the trim to fit properly, the outside surface of the finished wall must fall between the "minimum" and "maximum" lines on the factory installed plaster shields on the rough-in. If the rough-in is too far inside the wall, install extension kit 96259000 before attempting to install the handle trim.

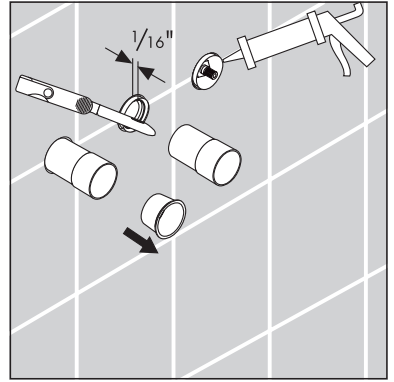
No drain is included with this trim kit. Please consult the sink manufacturer regarding a suitable drain for the specific sink used.

## Installation

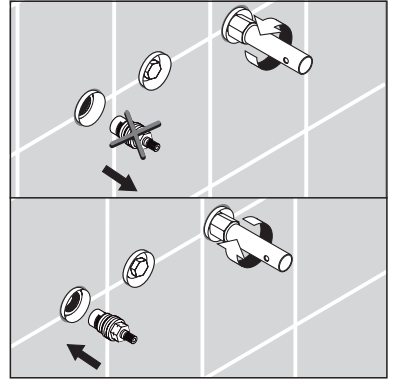
Remove the inserts from the plaster shields.

Trim the plaster shields to  $1/16$ " from the finished wall.

Seal the wall around the plaster shields with waterproof sealant.

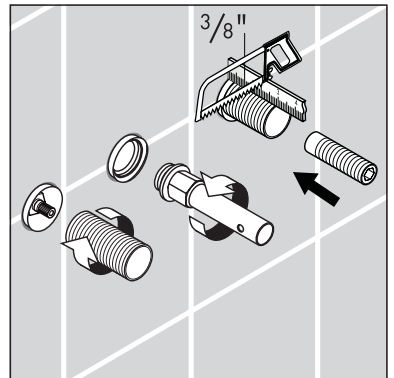


**Lever handle model (39148XX1) only:** Use a 17 mm deep socket wrench to remove the cartridges from the rough-in. Install the new  $1/4$  turn ceramic cartridges included with the trim kit. The new hot cartridge is marked with notches on the wrench flats.

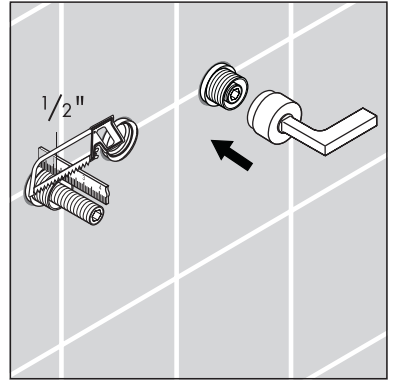


**All models:** Remove the plug from the spout port.

Install the handle slip coupling. Use a ruler to measure a point on the coupling  $3/8$ " from the surface of the finished wall. Mark the coupling at that point. Cut the coupling. Insert the extension spindle.



Use a ruler to measure to a point on the extension spindle  $\frac{1}{2}$ " from the surface of the finished wall. Mark the extension spindle at that point. Cut the extension spindle. Push the handle into place.



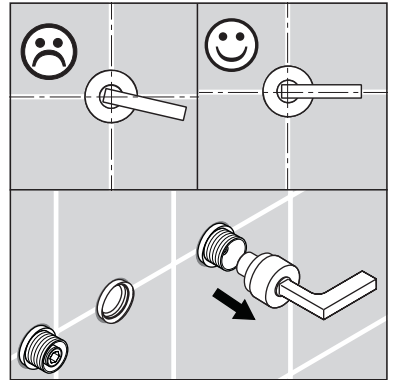
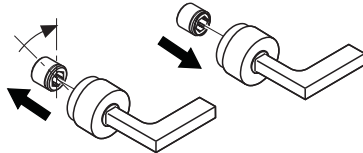
The handle should be parallel to the floor.

If it is not, remove it.

Remove the handle insert from the handle. Turn it slightly and reinsert it.

Replace the handle. It should now be parallel to the floor.

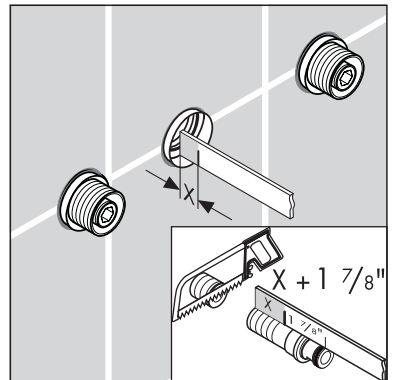
Remove the handles.



Use a ruler to measure from the metal part of the spout port to the outside edge of the plaster shield. Record the measurement (" $x$ ").

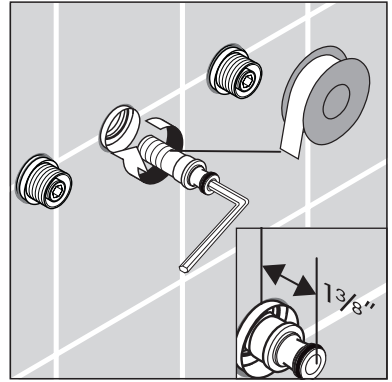
Add  $1 \frac{7}{8}$ " to " $x$ ". Record this measurement.

Measure the spout connector from the outlet end to a point  $X + 1 \frac{7}{8}$ ". Mark the spout connector at this point. Cut it. The total length of the spout connector should be  $X + 1 \frac{7}{8}$ ".

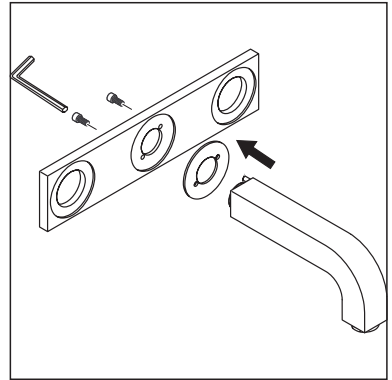


Wrap the threads on the spout connector with several layers of Teflon tape. Screw the spout connector into the port.

Measure the spout connector. It should extend from the wall  $1\frac{3}{8}$ "

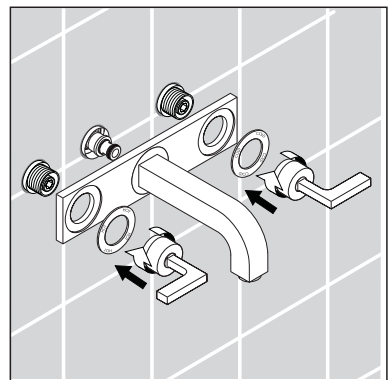


Connect the spout escutcheon and spout to the baseplate. Use a 3 mm Allen wrench to tighten the screws.

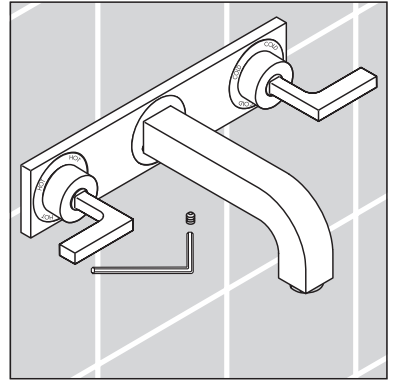


Push the baseplate assembly over the valves and spout connector.

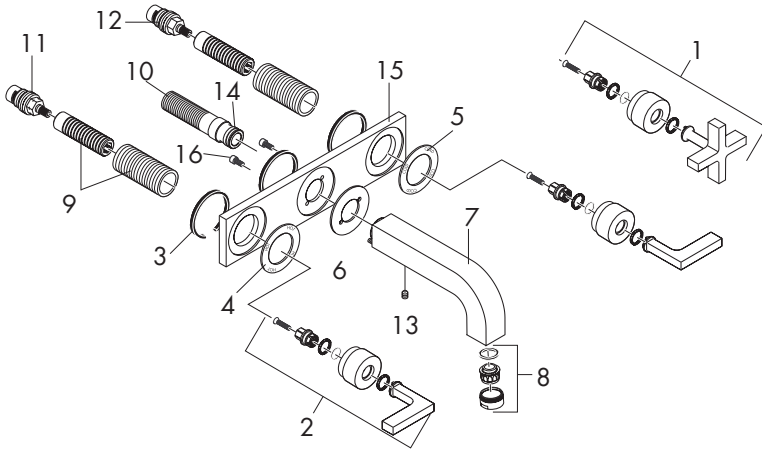
Hold the handle escutcheon in place on the baseplate. Push the handle into place. Rotate the handle base clockwise, until it threads down over the slip connector.



Tighten the spout set screw with a 3 mm Allen wrench.



## Replacement Parts



|    |                   |           |
|----|-------------------|-----------|
| 1  | handle, cross     | 39295XX0  |
| 2  | handle, lever     | 39296XX0  |
| 3  | seal              | 97530000  |
| 4  | hot escutcheon    | 96759XX0  |
| 5  | cold escutcheon   | 96758XX0  |
| 6  | spout escutcheon  | 96760XX0  |
| 7  | spout, 9"         | 97239XX0  |
| 8  | aerator           | 13085XX0  |
| 9  | handle fixing set | 96392000  |
| 10 | spout connector   | 97228000  |
| 11 | hot cartridge     | 96351000* |

|    |                  |           |
|----|------------------|-----------|
| 12 | cold cartridge   | 96350000* |
| 13 | set screw        | 97660000  |
| 14 | o-ring, 16 x 2.5 | 98134000  |
| 15 | baseplate        | 96757XXX  |
| 16 | screw            | 97661000  |

XX = color  
 00 = chrome  
 82 = brushed nickel

\* not included with 39144XX1

# Cleaning Recommendation for Hansgrohe Products

Modern sanitary faucetry and shower fixtures consist of very different materials to comply with the needs of the market with regard to design and functionality.

To avoid damage and returns, it is necessary to consider certain points when cleaning:

## Cleaning materials for faucets and shower products:

Acids are necessary ingredients of cleaning materials for removing lime. However, please pay attention to the following points when cleaning faucets and shower products:

- Use only cleaning materials intended for the application.
- Never use cleaning materials which contain hydrochloric, formic, or phosphoric, or acetic acid, as these can cause considerable damage.
- Do not mix one cleaning material with another.
- Do not use abrasives, such as cleaning powders, sponge pads, or microfiber cloths.

## Cleaning Instructions for Faucets and Shower Products:

Please follow the cleaning material manufacturer's instructions. In addition, please note the following:

- Clean your faucets and shower products as and when required.
- Follow the label instructions. Do not allow any cleaner to remain on the product for longer than necessary.
- Regular cleaning will prevent scale buildup and water spotting.
- When using spray cleaners, spray first onto a sponge or cloth. Do not spray directly onto the faucet or shower product as drops could enter openings or gaps and cause damage.
- After cleaning, rinse thoroughly with clear water to remove any cleaner residue.

## Important

Residues of liquid soaps, shampoos, and shower foams can also cause damage, so rinse with clean water after using.

## Please note:

- If the surface is already damaged, the effect of cleaning materials will cause further damage.
- Components with damaged surfaces must be replaced, otherwise, this could cause injury.
- Damage caused by improper treatment will not be covered by our warranty.

## Limited Lifetime Consumer Warranty

This product has been manufactured and tested to the highest quality standards by Hansgrohe, Inc. ("Hansgrohe"). This warranty is limited to Hansgrohe products which are purchased by a consumer in the United States after March 1, 1996, and installed in either the United States or Canada.

### WHO IS COVERED BY THE WARRANTY

This warranty extends to the original consumer purchaser only. This warranty is non-transferable.

### WHAT IS COVERED BY THE WARRANTY

This warranty covers only your Hansgrohe manufactured product. Hansgrohe warrants this product against defects in material or workmanship as follows: Hansgrohe will repair at no charge for parts only or, at its option, replace any product or part of the product that proves defective because of improper workmanship and/or material, under normal installation, use, service and maintenance. If Hansgrohe is unable to provide a replacement and repair is not practical or cannot be timely made, Hansgrohe may elect to refund the purchase price in exchange for the return of the product.

### LENGTH OF WARRANTY

Replacement or repaired parts of products will be covered for the term of this warranty as stated in the following two sentences. If you are a consumer who purchased the product for use primarily for personal, family, or household purposes, this warranty extends for as long as you own the product and the home in which the product is originally installed. If you purchased the product for use primarily for any other purpose,

including, without limitation, a commercial purpose, this warranty extends only (i) for 1 year, with respect to Hansgrohe and Commercial products, and (ii) for 5 years, with respect to AXOR products.

THIS WARRANTY DOES NOT COVER, AND HANSGROHE WILL NOT PAY FOR:

- A. Conditions, malfunctions or damage not resulting from defects in material or workmanship.
- B. Conditions, malfunctions or damage resulting from (1) normal wear and tear, improper installation, improper maintenance, misuse, abuse, negligence, accident or alteration, or (2) the use of abrasive or caustic cleaning agents or "no-rinse" cleaning products, or the use of the product in any manner contrary to the product instructions. (3) Conditions in the home such as excessive water pressure or corrosion.
- C. Labor or other expenses for the disconnection, deinstallation, or return of the product for warranty service, or for installation or reinstallation of the product (including but not limited to proper packaging and shipping costs), or for installation or reinstallation of the product.
- D. Accessories, connected materials and products, or related products not manufactured by Hansgrohe.

#### TO OBTAIN WARRANTY PARTS OR INFORMATION

Contact your Hansgrohe retailer, or contact Technical Service at:

Hansgrohe Inc.  
1492 Bluegrass Lakes Parkway  
Alpharetta GA 30004  
Toll-free (800) 334-0455.

In requesting warranty service, you will need to provide

- 1. The sales receipt or other evidence of the date and place of purchase.
- 2. A description of the problem.
- 3. Delivery of the product or the defective part, postage prepaid and carefully packed and insured, to Hansgrohe Inc. 1492 Bluegrass Lakes Parkway, Alpharetta, Georgia 30004, Attention: Technical Service, if required by Hansgrohe.

When warranty service is completed, any repaired or replacement product or part will be returned to you postage prepaid.

#### EXCLUSIONS AND LIMITATIONS

REPAIR OR REPLACEMENT (OR, IN LIMITED CIRCUMSTANCES, REFUND OF THE PURCHASE PRICE) AS PROVIDED UNDER THIS WARRANTY IS THE EXCLUSIVE REMEDY OF THE PURCHASER. HANSGROHE NEITHER ASSUMES NOR AUTHORIZES ANY PERSON TO CREATE FOR IT ANY OBLIGATION OR LIABILITY IN CONNECTION WITH THIS PRODUCT.

HANSGROHE SHALL NOT BE LIABLE TO PURCHASER OR ANY PERSON FOR ANY INCIDENTAL, SPECIAL, OR CONSEQUENTIAL DAMAGES, ARISING OUT OF BREACH OF THIS WARRANTY OR ANY IMPLIED WARRANTY (INCLUDING MERCHANTABILITY).

Some States do not allow the exclusion or limitation of incidental or consequential damages, so the above limitation or exclusion may not apply to you. This warranty gives you specific legal rights, and you may have other rights which vary from State to State. You may be required by law to give us a reasonable opportunity to correct or cure any failure to comply before you can bring any action in court against us under the Magnuson-Moss Warranty Act.

#### PRODUCT INSTRUCTIONS AND QUESTIONS

Upon purchase or prior to installation, please carefully inspect your Hansgrohe product for any damage or visible defect. Prior to installing, always carefully study the enclosed instructions on the proper installation and the care and maintenance of the product. If you have questions at any time about the use, installation, or performance of your Hansgrohe product, or this warranty, please call or write to us or call us toll-free at 800 334 0455.

**hansgrohe**

Hansgrohe, Inc. • 1490 Bluegrass Lakes Parkway • Alpharetta, GA 30004  
Tel. 770 360-9880 • Fax 770 360 9887

**www.hansgrohe-USA.com**