

Finoris
Single-Hole Faucet 230 with 2-Spray Pull-Out, 1.2 GPM
 Finish: **Chrome** Part no. : **76063001**



Description

Features

- Handle design: lever handle
- Spray pattern: Laminar spray, PowderRain
- Spray returns through pressing spray diverter and spray returns automatically through handle closing
- Extension length: 19 5/8"
- Spray disc surface: graphite
- Maximum flow rate: 1.2 GPM
- Ceramic cartridge
- Integrated backflow prevention

Item details

List Price \$ 773.00

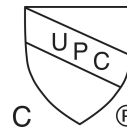
Technology



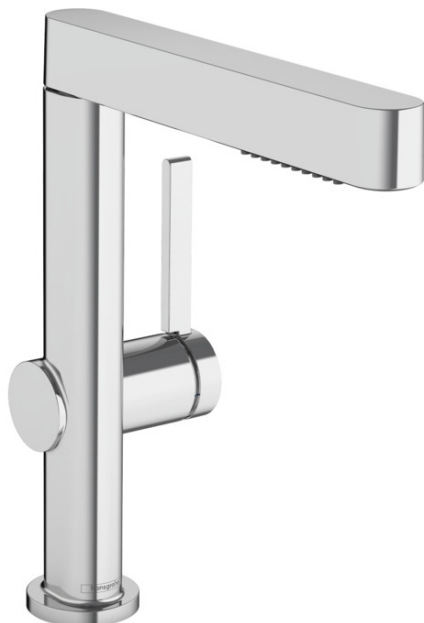
Design awards



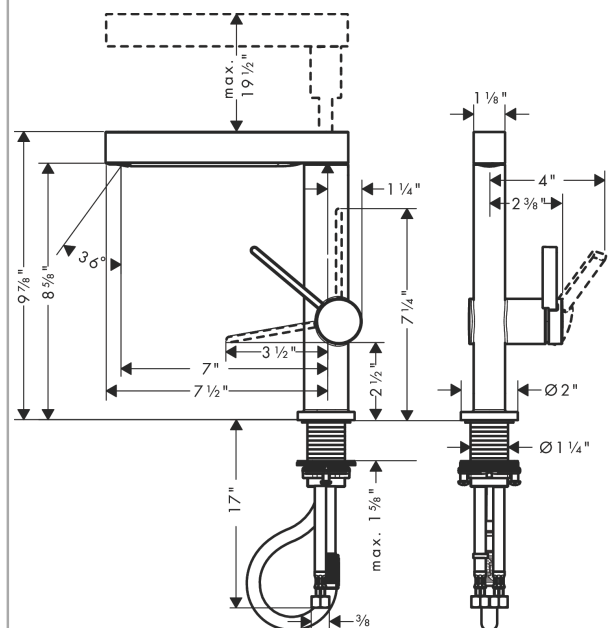
Compliance / Sustainability



Product image



Scale drawing

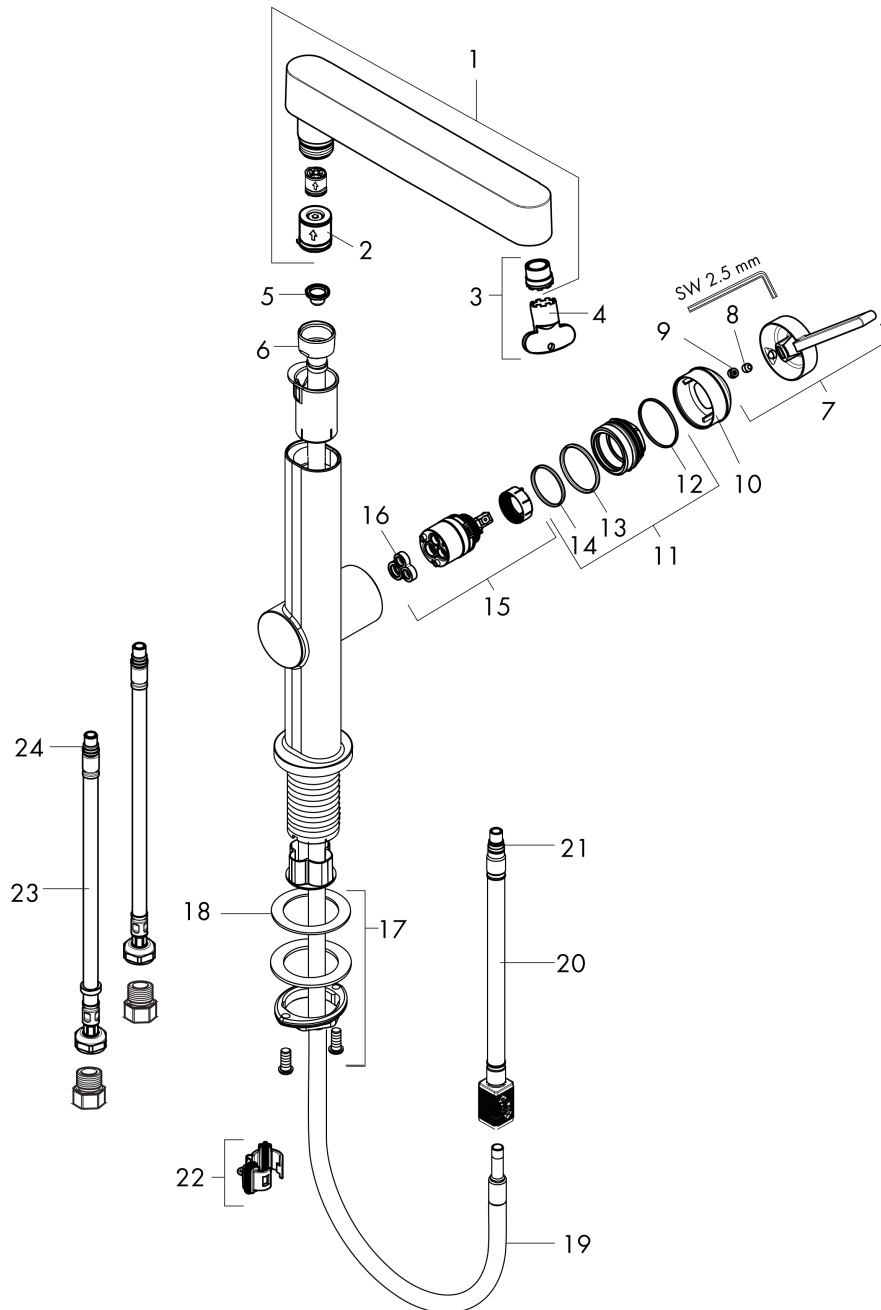


Finoris
Single-Hole Faucet 230 with 2-Spray Pull-Out, 1.2 GPM
 Finish: **Chrome** Part no. : **76063001**



Exploded drawing

Year of production: >11/21



Finoris
Single-Hole Faucet 230 with 2-Spray Pull-Out, 1.2 GPM
 Finish: **Chrome** Part no. : **76063001**



Spare parts list

Year of production: >11/21

Pos.	Description	Part no.	Price	PU
1	handspray	94294000	-	1
2	flow limiter / non return valve	95376000	-	1
3	aerator laminar	94295000	-	1
4	special tool	98987000	-	1
5	filter	92672000	-	1
6	nut	92755000	-	1
7	handle	94292000	-	1
8	hollow set screw M5x5	98446000	-	1
9	screw cover	93735460	-	1
10	flange	93737000	-	1
11	nut	92926000	-	1
12	O-ring 30x1,5	98433000	-	1
13	O-ring 29x2	98391000	-	1
14	O-ring 25x1,5	98146000	-	1
15	cartridge, assy	93760000	-	1
16	seal	93383000	-	1
17	fixing set (Ø 32)	13961000	-	1
18	lever collar	97548000	-	1
19	hose 1,25 m	94293000	-	1
20	hose	93744000	-	1
21	O-ring 7x1,5	98422000	-	1
22	cramp	94296000	-	1
23	connection hose 450 mm M8x0,75 G3/8	97206000	-	1
24	O-ring 6,6x1,6	93019000	-	1