

Brand hansgrohe  
 Art. Name **Locarno** Single-Hole Faucet 210, 1.2 GPM  
 Art. Nr. 04811000  
 Surface Chrome  
 Pos. 1

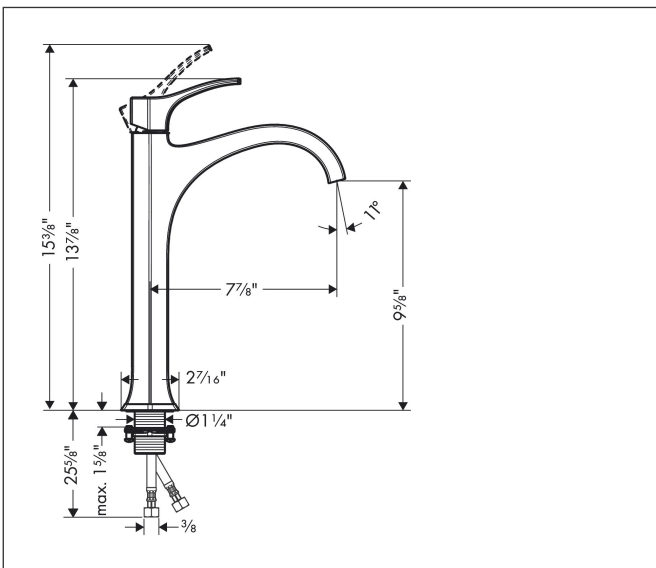
## Product Picture



## Features

- Consists of: single-hole lavatory faucet
- Handle design: lever handle
- Spray pattern: Laminar spray, Laminar spray
- Maximum flow rate (at 3 bar): 4.5 l/min
- Ceramic cartridge

## Drawing



## Technology

