

Brand hansgrohe
Art. Name **Ecostat** Pressure Balance Trim S
Art. Nr. 04233000
Surface Chrome
Pos. 1

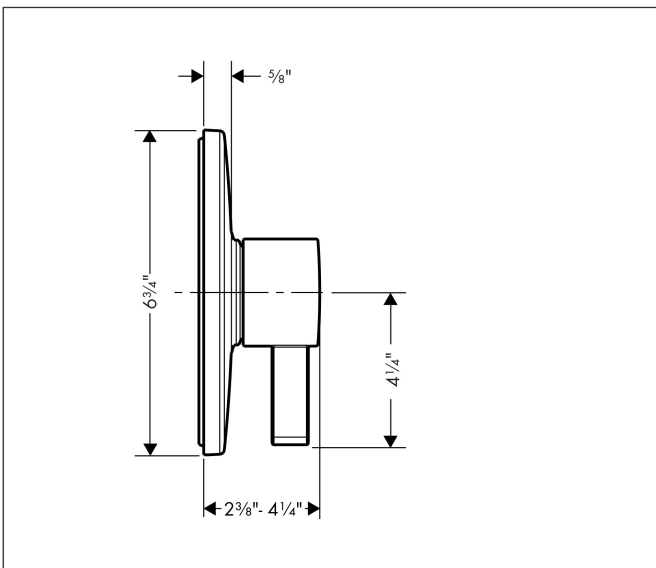
Product Picture



Features

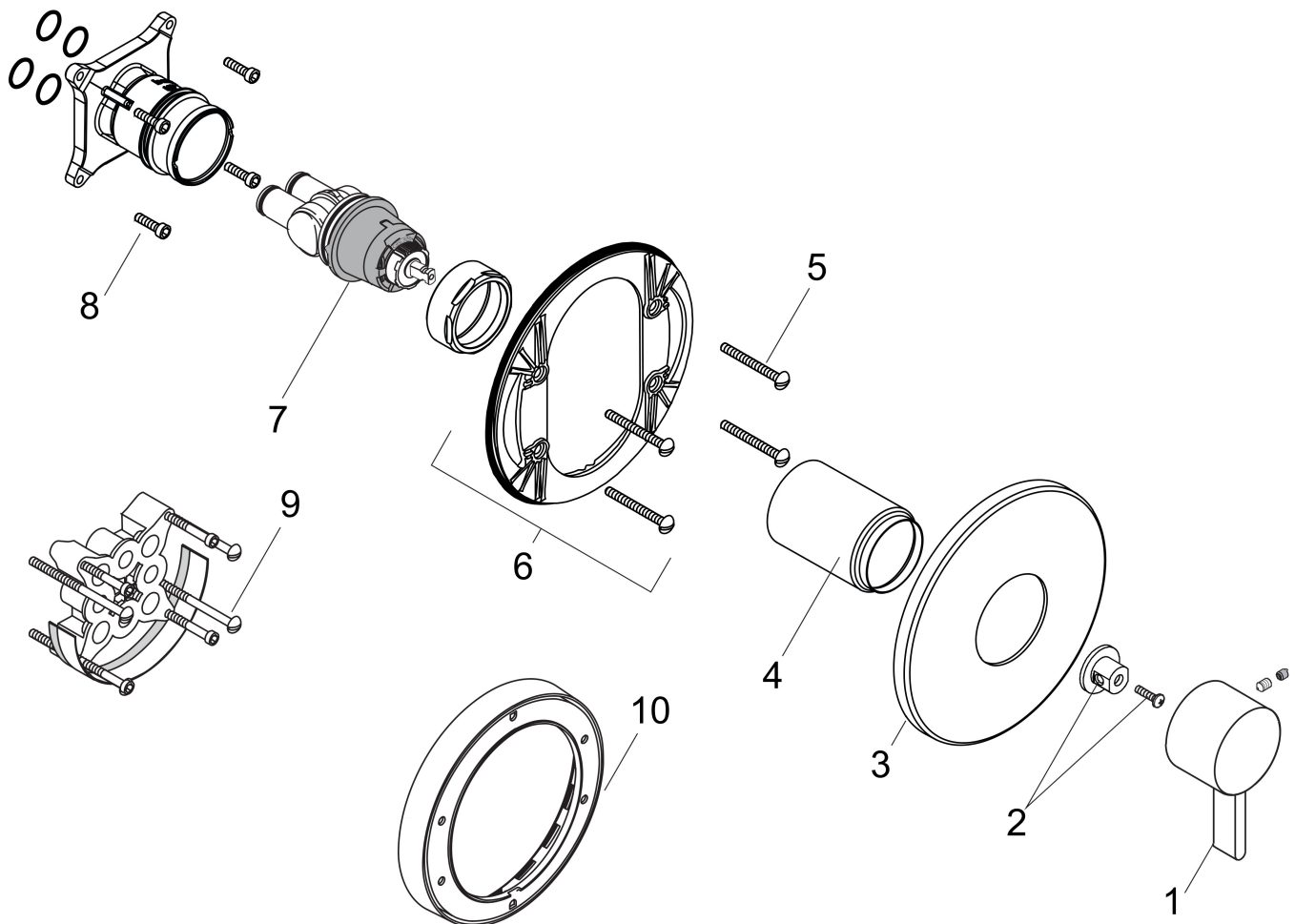
- Temperature and volume control for 1 outlet
- Maximum flow rate (at 3 bar): 20.6 l/min
- Bypass for use with diverter-type tub spouts
- Connection type: base set

Drawing



Brand hansgrohe
Art. Name **Ecostat** Pressure Balance Trim S
Art. Nr. 04233000
Surface Chrome
Pos. 1

Spare Parts Drawings for build year: >05/10



Brand hansgrohe
 Art. Name **Ecostat** Pressure Balance Trim S
 Art. Nr. 04233000
 Surface Chrome
 Pos. 1

Spare parts list for build year: >05/10

Pos.	Description	Article number
1	handle	88763000
2	adapter for handle	92756000
3	escutcheon	88760000
4	sleeve	88765000
5	set of fixing screws	96454000
6	sub plate	96447000
7	cartridge, assy	88727000
8	set of screws	96525000
9	extension 25 mm	13595000
10	extension 22 mm (Ø 170 mm)	13596000