

SilicaTec Composite Granite Kitchen Sink Double Equal Basin



Description

- Easy to Clean
- Nonporous quartz material is scratch, stain, and heat resistant
- Drop-in or undermount installation
- Includes mounting clips
- Versatile double basin
- Faucet and accessory hole knockouts
- Hangrohe Limited Lifetime Warranty

Color

Part no.

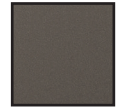
Black Lava

04873170



Gilded Bronze

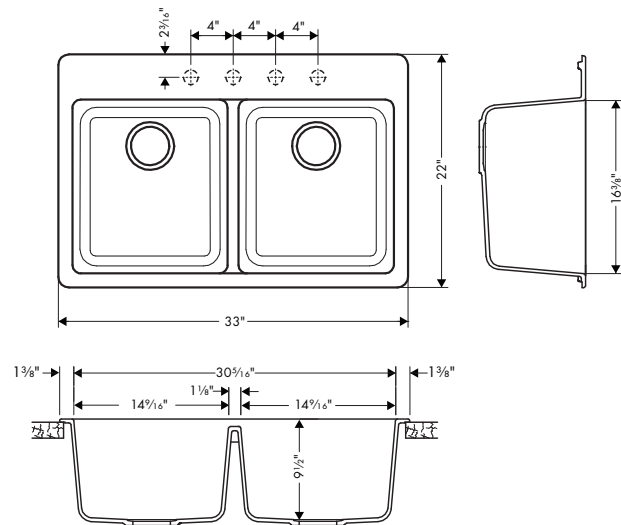
04873380



Product Image



Scale Drawing



1. Not for commercial use
2. The measurements shown are for reference only