

## SilicaTec Composite Granite Kitchen Sink Extra Large Single Basin



### Description

- Easy to Clean
- Nonporous quartz material is scratch, stain, and heat resistant
- Drop-in or undermount installation
- Includes mounting clips
- Faucet and accessory hole knockouts
- Hangrohe Limited Lifetime Warranty

### Color

### Part no.

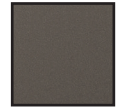
Black Lava

**04871170**



Gilded Bronze

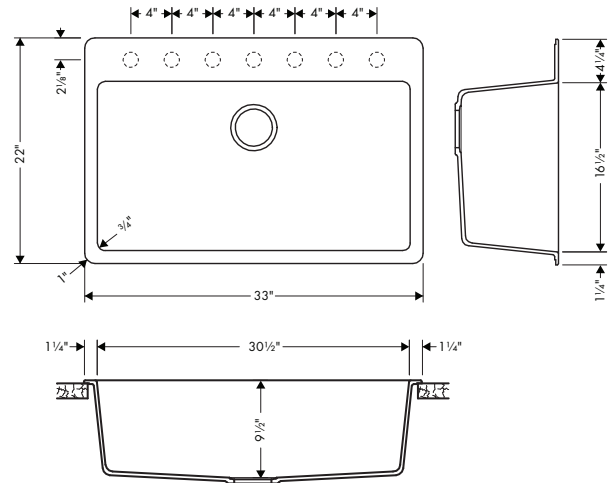
**04871380**



### Product Image



### Scale Drawing



1. Not for commercial use
2. The measurements shown are for reference only