

**Talis S**  
**Single-Hole Faucet 250, 1.2 GPM**  
 Finishes : **brushed nickel** Part no. : **72116821**



**Description**

**Features**

- Aerated spray
- Flow: 1.2 GPM (4.5 L/Min)
- Ceramic cartridge

**Item details**

List Price \$ 640.00

**Technology**



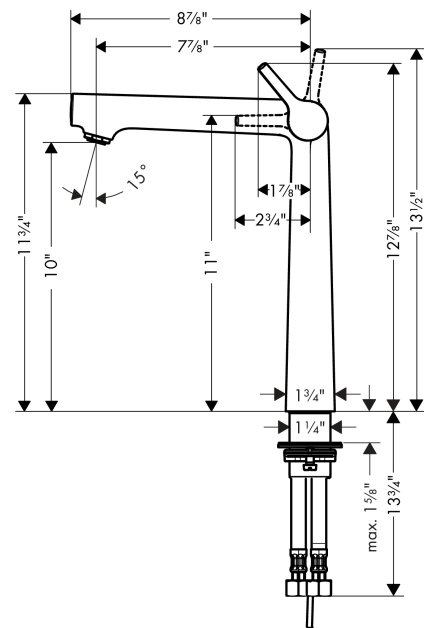
**Compliance**



**Product image**



**Scale drawing**

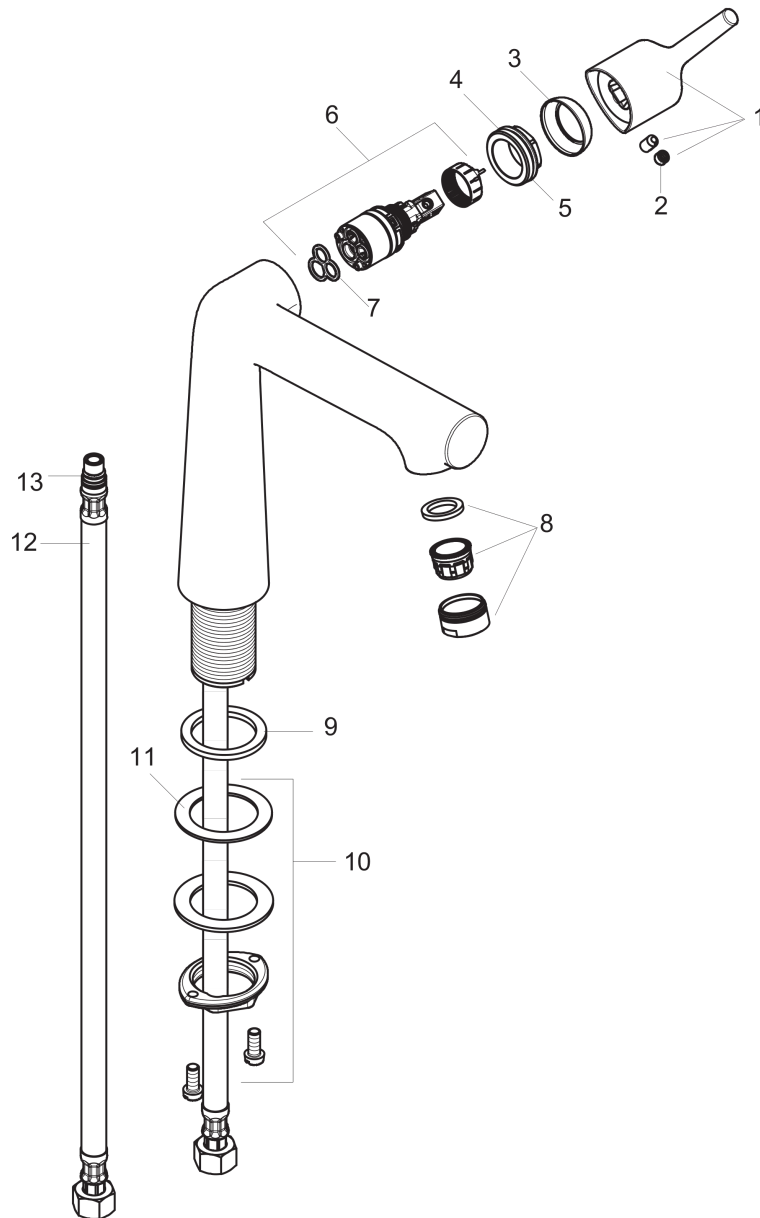


**Talis S**  
**Single-Hole Faucet 250, 1.2 GPM**  
 Finishes : **brushed nickel**    Part no. : **72116821**



Exploded drawing

Year of production: >09/16



**Talis S**

**Single-Hole Faucet 250, 1.2 GPM**

Finishes : **brushed nickel** Part no. : **72116821**



**Spare parts list**

Year of production: >09/16

| Pos. | Description                     | Part no. | Price | PU |
|------|---------------------------------|----------|-------|----|
| 1    | handle                          | 92771820 | -     | 1  |
| 2    | screw cover                     | 95704000 | -     | 1  |
| 3    | flange                          | 95493820 | -     | 1  |
| 4    | nut                             | 95178000 | -     | 1  |
| 5    | O-ring 24x2                     | 98388000 | -     | 1  |
| 6    | cartridge, assy                 | 95973001 | -     | 1  |
| 7    | seal                            | 98865000 | -     | 1  |
| 8    | aerator M24x1 (4,5 l/min)       | 92812820 | -     | 1  |
| 9    | flat seal                       | 98749000 | -     | 1  |
| 10   | fixing set (Ø 32)               | 13961000 | -     | 1  |
| 11   | lever collar                    | 97548000 | -     | 1  |
| 12   | connection hose 23½" M10x1 3/8" | 14099001 | -     | 1  |
| 13   | O-ring 8x1,75                   | 97827000 | -     | 1  |
| a    | fixation extension 35 mm        | 13898000 | -     | 1  |