

Logis

Single-Hole Faucet 70, 1.0 GPM

Finishes : **chrome** Part no. : **71078001**



Description

Features

- Aerated spray
- Flow: 1.0 GPM (3.8 L/Min)
- Ceramic cartridge

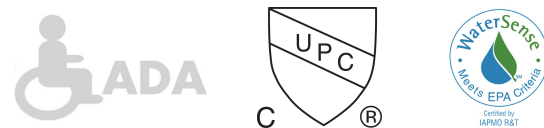
Item details

List Price \$ 170.00

Technology



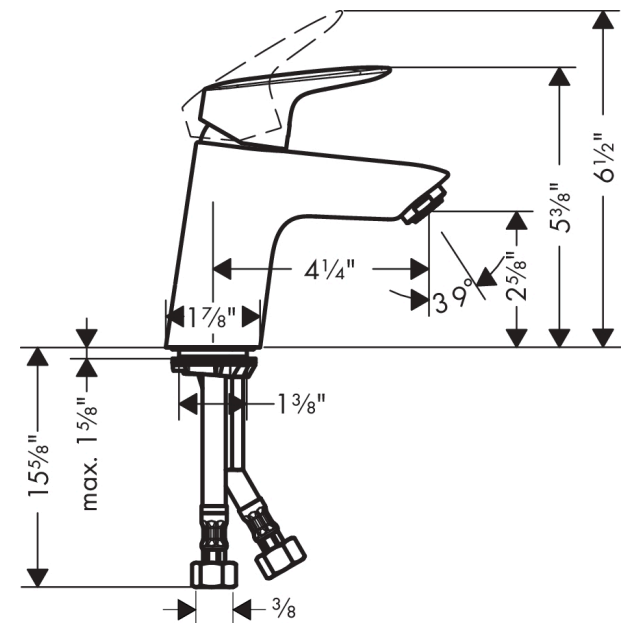
Compliance



Product image



Scale drawing

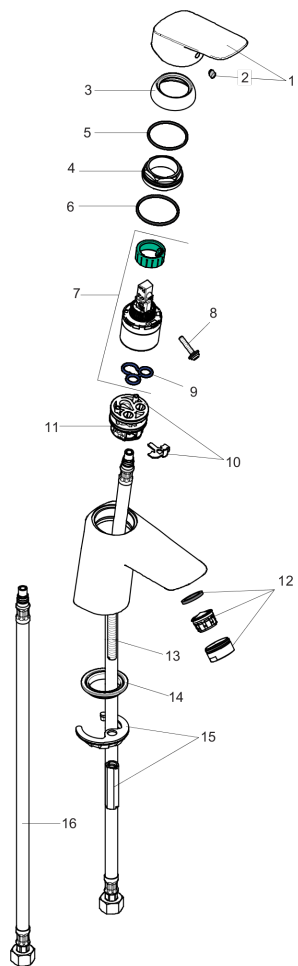


Logis
Single-Hole Faucet 70, 1.0 GPM
 Finishes : **chrome** Part no. : **71078001**



Exploded drawing

Year of production: >07/16



Logis

Single-Hole Faucet 70, 1.0 GPM

Finishes : **chrome** Part no. : **71078001**



Spare parts list

Year of production: >07/16

Pos.	Description	Part no.	Price	PU
1	handle	92224000	-	1
2	screw cover	96338000	-	1
3	flange	97406000	-	1
4	nut	97209000	-	1
5	O-Ring 32x2	98193000	-	1
6	O-ring 35x2	92604000	-	1
7	cartridge, assy	95646001	-	1
8	locking screw for handle	95140000	-	1
9	seal	95008000	-	1
10	adapter for cartridge	98750000	-	1
11	O-Ring 30x2	98186000	-	1
12	aerator M24x1 (3,5 l/min)	92508000	-	1
13	screw M8 x 68	97736000	-	1
14	seal	97608000	-	1
15	fixing set	96016000	-	1
16	connection hose 18½" M8x0,75 3/8"	96321001	-	1