

Outdoor Furniture



IMPORTANT

If you have any problems with this product (missing or damaged parts, assembly issues, etc.),

PLEASE DO NOT RETURN TO THE RETAILER/STORE

from where you purchased the product.

Please call our Toll-Free Customer Service Hotline at: **1-866-988-3300**

Between 8:00 AM and 5:00 PM Pacific Standard Time, Monday through Friday

To expedite any future warranty claims, please retain the instruction sheet, warranty card and receipt for future use.

Care and Maintenance

Store furniture in an upright position. Be careful to never allow water to build up in the frames as this will cause corrosion and freeze damage in cold climates. Wash all frames with a solution of mild soap and water. Rinse with clean water and dry with a soft absorbent cloth towel. Frames can be treated with a liquid wax for maximum protection against UV rays and/or salty, damp air. If your set includes cushions, slings, and/or an umbrella they may be cleaned by hand with a solution of soap and water with a clean water rinse. (Never machine wash cushions, slings or umbrella covers as this will result in shrinkage or damage). After cleaning cushions tip on end and allow to drip dry. (Never use a commercial or home dryer to tumble dry fabric goods). Do not use bleach or solvents to clean any product! This will void the warranty.

Outdoor Furniture

1-Year Limited Warranty Program

For a period of one (1) year after date of purchase, the Manufacturer will either repair or replace defective components in accordance with this Limited Warranty. This warranty is between the Manufacturer and the original purchaser and is valid only when accompanied by the original purchaser's sales receipt showing original date of purchase and location of purchase. Replacements under this warranty revert back to the date of original purchase for future warranty.

The Manufacturer or its authorized dealer can accept or reject warranty claims based on its findings. This warranty applies in normal residential use only and is not intended for commercial use. The Manufacturer can make substitutions as required of materials, components, and sub-components of comparable value and utility. This warranty is limited to product repair or replacement (to be determined solely by the Manufacturer). Warranty return is limited to only the single affected component.

This limited warranty covers only manufacturing defects and does not cover normal wear and tear, damage due to acts of nature (such as, but not limited to freezing or high winds), abuse or misuse, including chemical damage from suntan oil or other chemicals, exposure to extreme heat or cold, abrasion or excessive weight. This product is intended to be used in standard installations only. This warranty is void if the product is not used for its intended purpose. The Manufacturer disclaims liability for any aspect of installation and any inconvenience caused by a defective part of a component.

Certain items are not covered by this warranty. These include, but are not limited to the following:

1. Components subjected to abuse, including abuse intended to simulate failure.
2. Damages caused by retailer, shipper or installation crew (such as scratches, dents, tears, chips, etc.).
3. Any part which merely exhibits normal wear yet functions essentially as new, including chips, scratches or stretching of materials and stitching.
4. Tears, punctures, scratches or any damage caused by improper installation or use.
5. Damage to frames/welds resulting from improper assembly or exposure to water and/or sub-freezing temperatures is not covered. General frame rusting is not covered.
6. Fading and/or discoloration of fabrics/cushions/straps/wicker resulting from exposure to the elements, chemicals, oils, fluids or any other cause are not covered.
7. Umbrella bases are not covered under any circumstances.
8. Items sold "as is" or floor models.

To make a claim, call the toll-free number below. Please have available a copy of the original sales receipt along with a brief description of the problem. Please also provide your email address and daytime telephone or cell phone number. All items may be charged actual freight costs plus \$15 for handling. Repairs or replacement will be made at the Manufacturer's option. ***Sales and use taxes, plus shipping and handling charges are the responsibility of the consumer.***

THIS IS THE ENTIRE EXCLUSIVE EXPRESS LIMITED LIABILITY. THE MANUFACTURER NEITHER MAKES NOR IS RESPONSIBLE FOR ANY OTHER WARRANTIES, EITHER EXPRESS OR IMPLIED, INCLUDING THOSE OF RETAILING DEALERS. THIS EXCLUSIVE REMEDY IS LIMITED TO RECEIPT OF A CREDIT IN CONNECTION WITH THE REPAIR OR REPLACEMENT OF ANY PRODUCT OR COMPONENT DEEMED TO BE DEFECTIVE UNDER THE TERMS AND CONDITIONS AS STATED IN THIS WARRANTY. NEITHER THE PRODUCT MANUFACTURER NOR ITS AGENTS SHALL BE LIABLE IN ANY CASE FOR INCIDENTAL, INDIRECT, SPECIAL OR CONSEQUENTIAL DAMAGES RESULTING FROM THE USE OF THIS PRODUCT OR ARISING OUT OF ANY BREACH OF THIS WARRANTY OR NEGLIGENCE EVEN IF IT HAS BEEN ADVISED OF THE POSSIBILITY OF SUCH DAMAGES. EXCEPT AS OTHERWISE MAY BE REQUIRED BY LAW, THERE ARE NO OTHER EXPRESS OR IMPLIED WARRANTIES OTHER THAN THE WARRANTY DESCRIBED HEREIN, AND ALL OTHER WARRANTIES, INCLUDING ANY IMPLIED WARRANTY OF MERCHANTABILITY OR FITNESS FOR A PARTICULAR PURPOSE ARE EXPRESSLY DISCLAIMED.

Contact Customer Service at **1-866-988-3300**

Assembly Instructions

FSS60471ASST







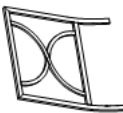


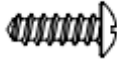






3pc Steel Swivel Rocker Set

Questions, problems, or missing parts?
Before returning to the store, call Customer Service.

1-866-988-3300
8 a.m. - 5 p.m., PST Monday - Friday

Retain this manual for future use.

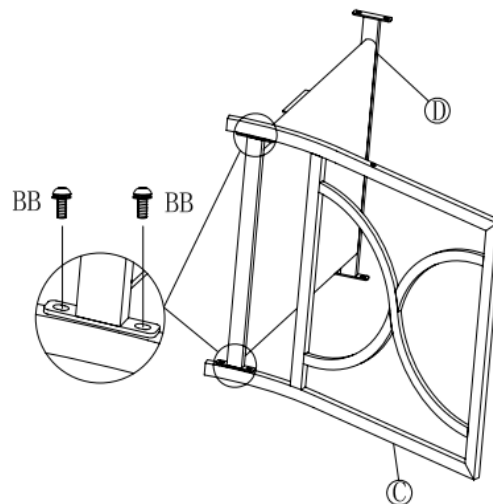
Chair Parts & Tools

PART	QTY	PICTURE & DESCRIPTION	PART	QTY	PICTURE & DESCRIPTION
A	2	 Right Arm	AA	4	 M6X40 combination bolt & washer
B	2	 Left Arm	BB	20	 M6X20 combination bolt & washer
C	2	 Back Frame	CC	8	 M8X20 combination bolt & washer
D	2	 Seat Frame	DD	4	 Self-tapping Screw
E	2	 Support Tube	EE	1	 Wrench
F	2	 Chair base	FF	1	 Allen Wrench
G	2	 Back Cushion			
H	2	 Seat Cushion			
			<p>WARNING: To avoid damaging this product, assemble it on a soft, non-abrasive surface such as carpet or cardboard.</p>		

Chair Assembly

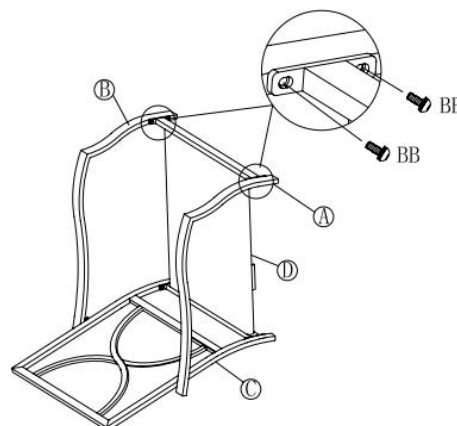
Step 1:

- Attach the seat frame (D) to the back frame (C) by lining up the bolt holes on the seat frame (D) with the corresponding bolt holes on the back frame (C). Insert the M6X20 combination bolt & washer (BB), loosely tighten using the Allen wrench (FF).



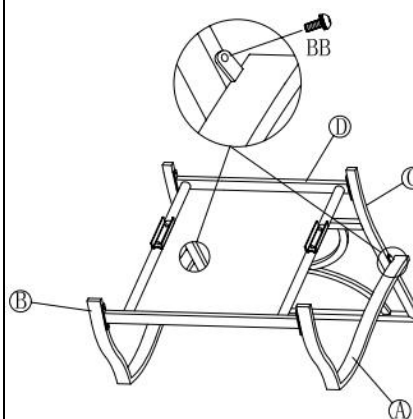
Step 2:

- Attach the left arm (B) to the seat frame (D) by lining up the bolt holes on the left arm (B) with the corresponding bolt holes on the seat frame (D).
- Insert M6X20 combination bolt & washer (BB), loosely tighten using the Allen wrench (FF).
- Repeat same step for right arm (A).



Step 3:

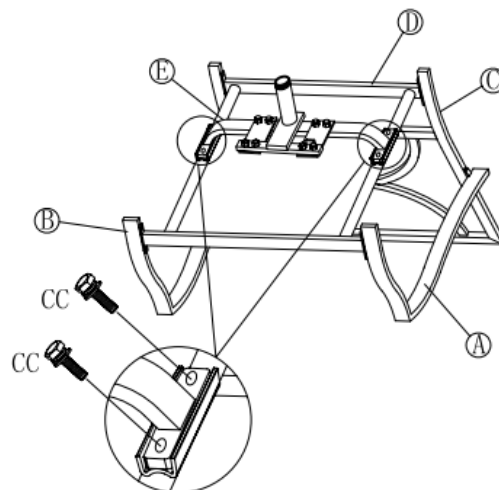
- Attach the left arm (B) to the back frame (C) by lining up the bolt holes on the left arm (B) with the corresponding bolt holes on the back frame (C).
- Insert M6X20 combination bolt & washer (BB), loosely tighten using the Allen wrench (FF).
- Repeat the same steps for the right arm (A).



Chair Assembly

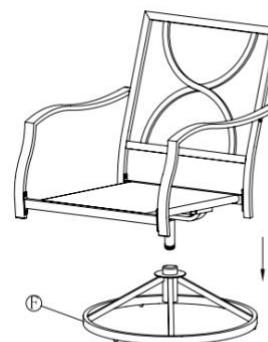
Step 4

- Place the support tube (E) to the chair seat (D) as shown.
- Line up the bolt holes on support tube (E) with the corresponding bolt holes on the chair seat (D).
- Insert M8X20 combination bolt & washer (CC), tighten using wrench (EE).



Step 5

- Ensure all connections are secure.
- Turn the chair frame to an upright position
- Put the chair frame on the Chair base (F).



Step 6

Place seat cushion (H) and back cushion (G) on the chair as shown.

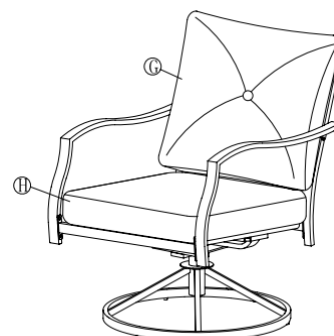
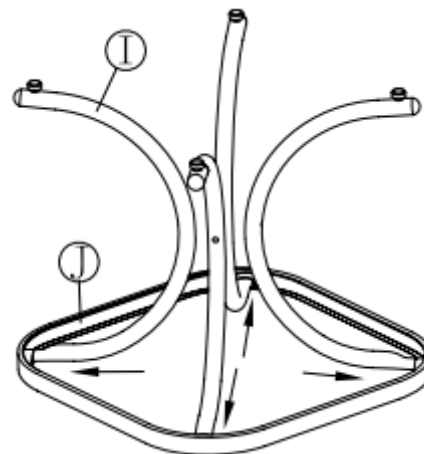


Table Assembly

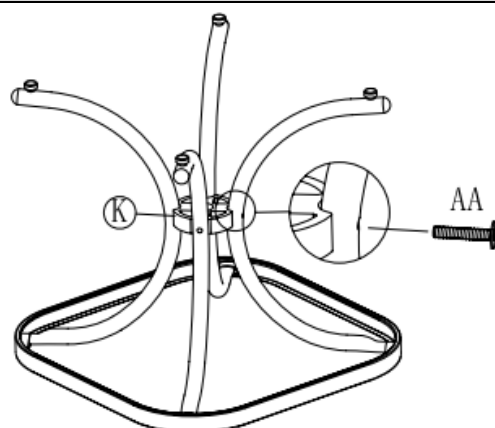
Step 1:

- Place the table top (J) on a soft surface. Insert the table legs (I) to the table top (J) as shown. Repeat these steps until all four table legs (I) are secure to the table top (J).



Step 2:

- Place the center rim (K) between the four table legs (I).
- Attach table legs (I) to center rim (K) by lining up the bolt holes on table legs (I) with the corresponding bolt holes on the center rim (K). Insert M6X40 combination bolt & washer (AA) with using Allen wrench (FF).
- Reminder - Do not completely tighten bolts until all parts are correctly assembled).
- Repeat this step until all four table legs (I) are connected to center rim (K).



Step 3:

- Align the screw hole on the table top (J) with the screw hole on the table leg (I).
- Secure the table leg (I) with the table top (J) by inserting the self-tapping screw (DD) and tighten using a screw driver (not included).

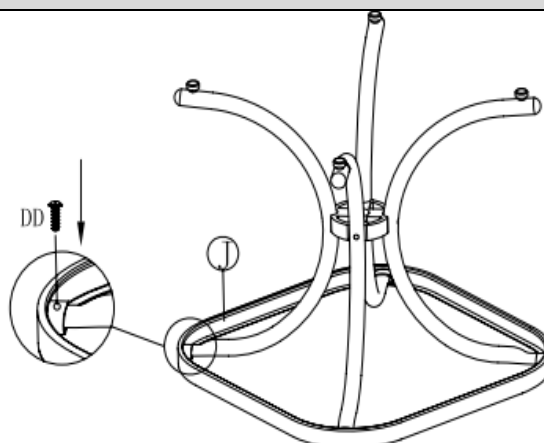


Table Assembly

Step 4:

- Ensure all connections are secure before use.
- Turn the table to an upright position.

