

# HANOVER®

Model: HVR100

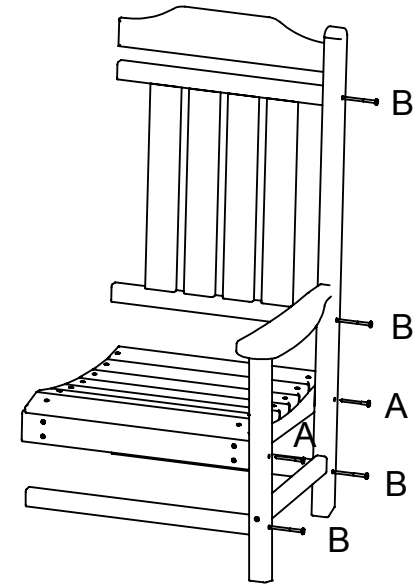
- \_\_\_ (1) Hardware pack
- \_\_\_ (2) Sideframes
- \_\_\_ (2) Rocker bottoms
- \_\_\_ (1) Back
- \_\_\_ (1) Seat
- \_\_\_ (1) Long brace
- \_\_\_ (1) Short brace
- \_\_\_ (1) Head piece

## Step 1

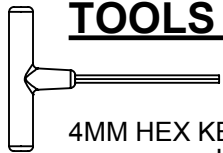
Attach long brace, short brace and back using (4) .27x3" screws.

Attach seat using (2) .27x2 1/2" screws

**Note: front of seat is wider**



## TOOLS NEEDED



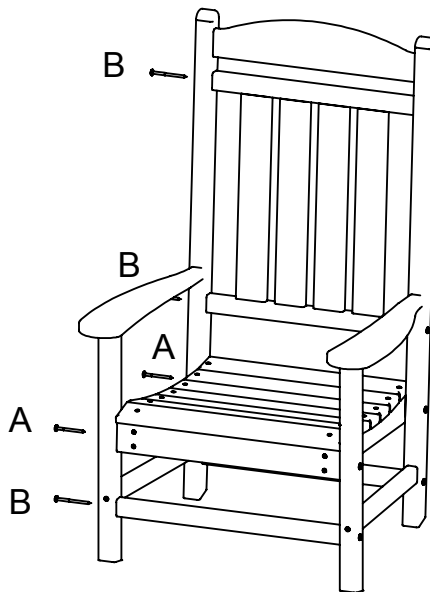
4MM HEX KEY, ALLEN, T-HANDLE INCLUDED



4MM HEX KEY, SHORT, FOR DRILL INCLUDED

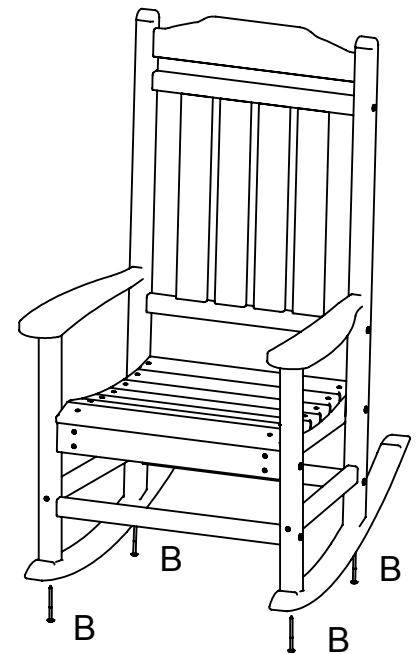
## Step 2

Insert head piece into top of post  
Repeat step 1 on other side



## Step 3

Attach rocker bottoms with (4) .27x3" screws



Qty.	Description
4	A - .273 X 2.50 SOCKET WAFER A
12	B - .273 X 3 SOCKET WAFER A

