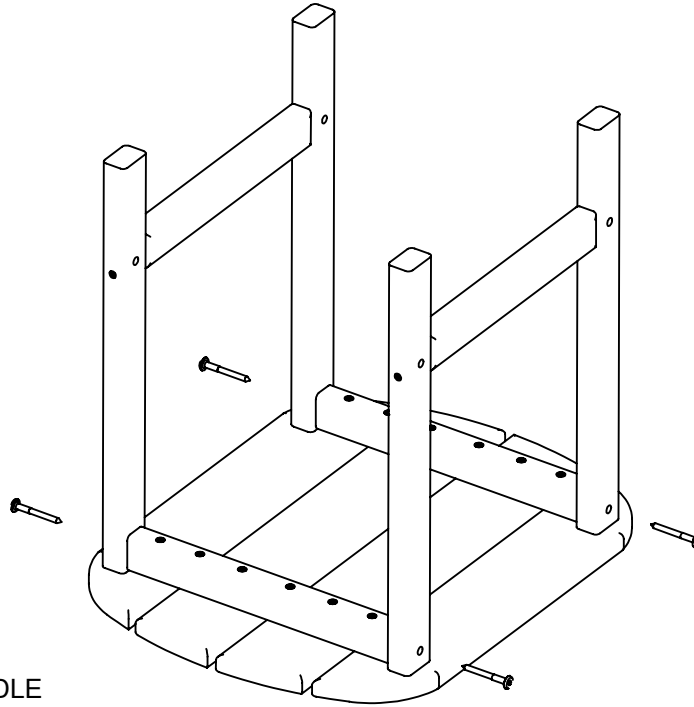


HANOVER®

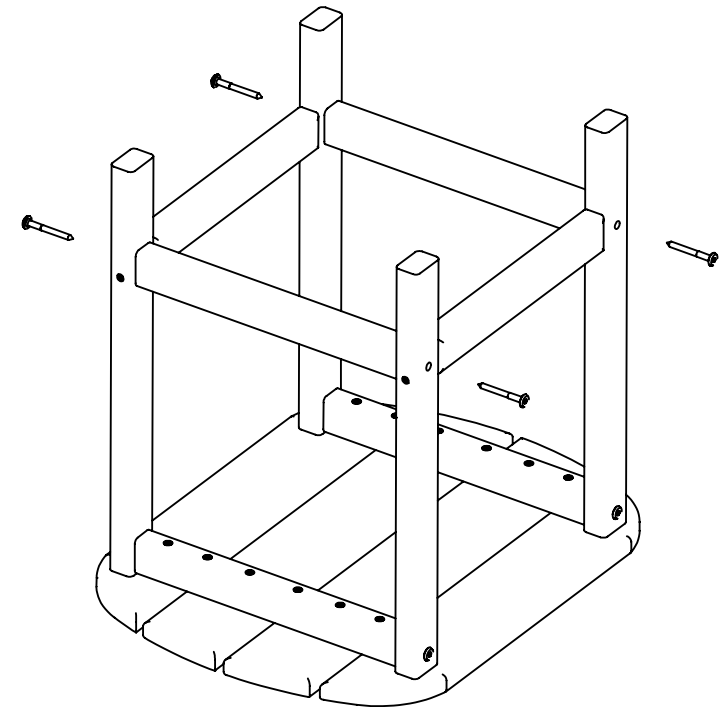
MODEL: HVSBT18

- (1) Table top
- (2) Sideframes
- (2) Braces
- (1) Hardware pack

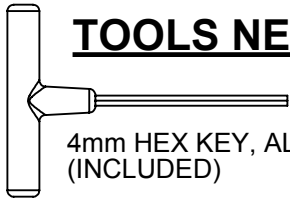
Step 1
Attach sideframes to table top
using (4) 2" screws



Step 2
Attach braces to sideframes
using (4) 2" screws



TOOLS NEEDED



4mm HEX KEY, ALLEN, T-HANDLE
(INCLUDED)

| Qty. | Description |
|------|-------------|
|------|-------------|

| | |
|---|--------------------------------|
| 8 | A - .273 X 2.00 SOCKET WAFER A |
|---|--------------------------------|

