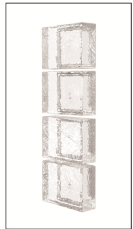
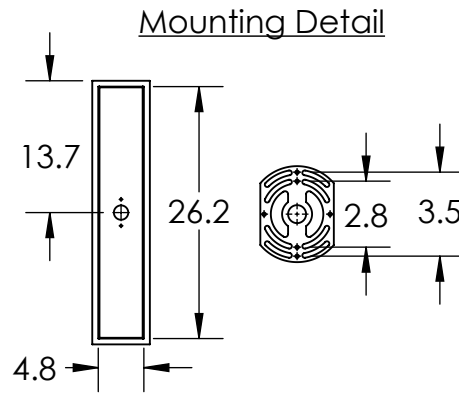
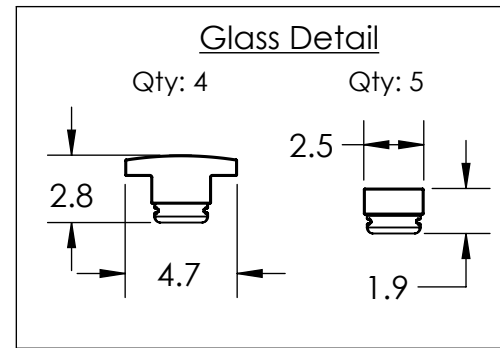
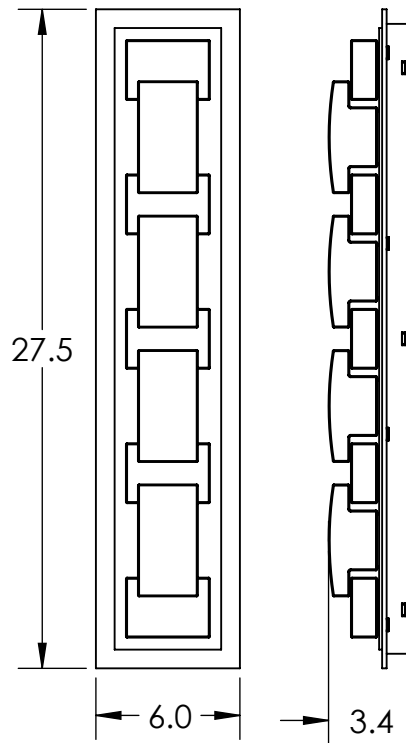




TETRO



PAVE



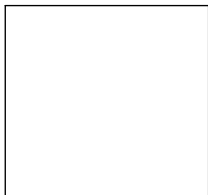
PRODUCT DESCRIPTION

The 2,500-year old art of glass mosaic tiling is brilliantly brought to light in the Tessera 27in Sconce. Tessera lighting features a choice of two tile motifs in artisan cast crystal glass and is illuminated with 93+ CRI integrated LED. ADA compliant.

PRODUCT SPECIFICATION

- Construction: Aluminum Body with Clear Cast Glass
- Finish Options: BS MB FB GB CS GP BB NB SN GM RB HB
- Glass Options: Clear Cast Glass
- Suspension Method: Mounts to J-Box
- Weight(lbs.): 18
- UL Rating: Outdoor/Wet
- Top Diffuser: Clear Cast Glass
- Bottom Diffuser: Clear Cast Glass
- Light Source: LED
- Electrical Qty: 2
- Wattage (Watts):23
- Voltage (Volts): 120
- Source Lumens: 890
- Dimming: Forward/Reverse Phase to 1%
- CCT: 3000K
- Driver Quantity & Location: N/A
- CRI: 93+
- Power Factor: >0.9

SCAN FOR MORE INFORMATION



GENERAL NOTES:

All dimensions are shown in inches unless otherwise stated.
 Visit studio.hammerton.com to read about our Lifetime Limited Warranty.
 This product may use mixed materials like steel and aluminum in its construction. Transparent finishes may vary between steel and aluminum.
 All Hammerton fixtures are handcrafted by artisans. Subtle imperfections reflect the mark of the artisan and should be expected in any handcrafted product. Dimensions may vary up to 7/8".
 © Copyright 2022. All rights in design, detail or invention of this drawing are reserved as the property of Hammerton. Any imitation or adaptation without written consent is strictly prohibited.
 Hammerton Inc. 217 Wright Brothers Dr. Salt Lake City, UT 84116 (801)973-8095 | studio.hammerton.com | info@hammerton.com