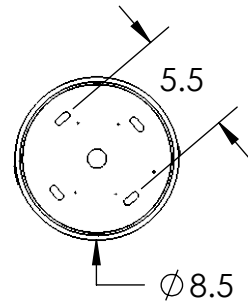
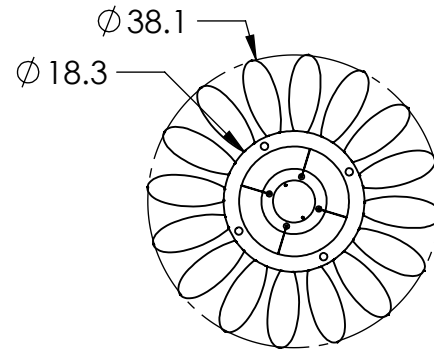
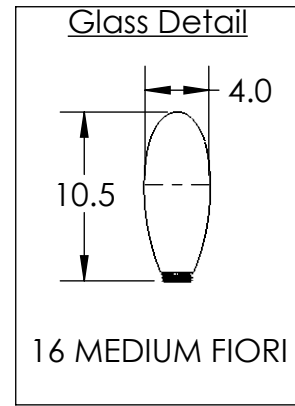
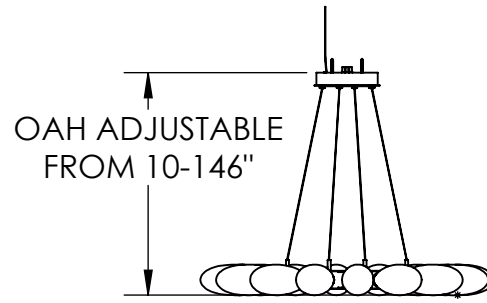


All dimensions are shown in inches unless otherwise stated.



Mounting Method: Mounts to j-box

PRODUCT SPECIFICATION

Construction: Steel Canopy, Steel Cord, Blown Glass

Finish Options: BS MB FB GB CS GP BB NB SN GM RB HB

Glass Options: Blown Glass

Suspension Method: Ceiling Mount

Weight(lbs.): 44

UL Rating: DRY

Top Diffuser: N/A

Bottom Diffuser: N/A

Light Source: LED

Electrical Qty: 20

Wattage (Watts):42

Voltage (Volts): 120

Source Lumens: 1920 UP, 1360 DOWN

Dimming: Forward/Reverse Phase to 1%

CCT: 2700/3000K

Driver Quantity & Location: 2, in Canopy

CRI: 93+

Power Factor: >0.9

PRODUCT DESCRIPTION

Lustrous white buds of artisan blown glass offer a playful reinterpretation of mid-century style in this 38" diameter radial ring chandelier. Integrated LED light gives the glass a rich luster and opacity that's reminiscent of mid-century Italian art glass.

SCAN FOR MORE INFORMATION

*Translucent finish upgrade available for additional charge

Notes:

GENERAL NOTES:

Visit studio.hammerton.com to read about our Lifetime Limited Warranty.

This product may use mixed materials (steel and aluminum) in its construction. Transparent finishes may vary between steel and aluminum.

All Hammerton fixtures are handcrafted by artisans. Subtle imperfections reflect the mark of the artisan and should be expected in any handcrafted product. Dimensions may vary up to 7/8".

Rev © 9/28/2022