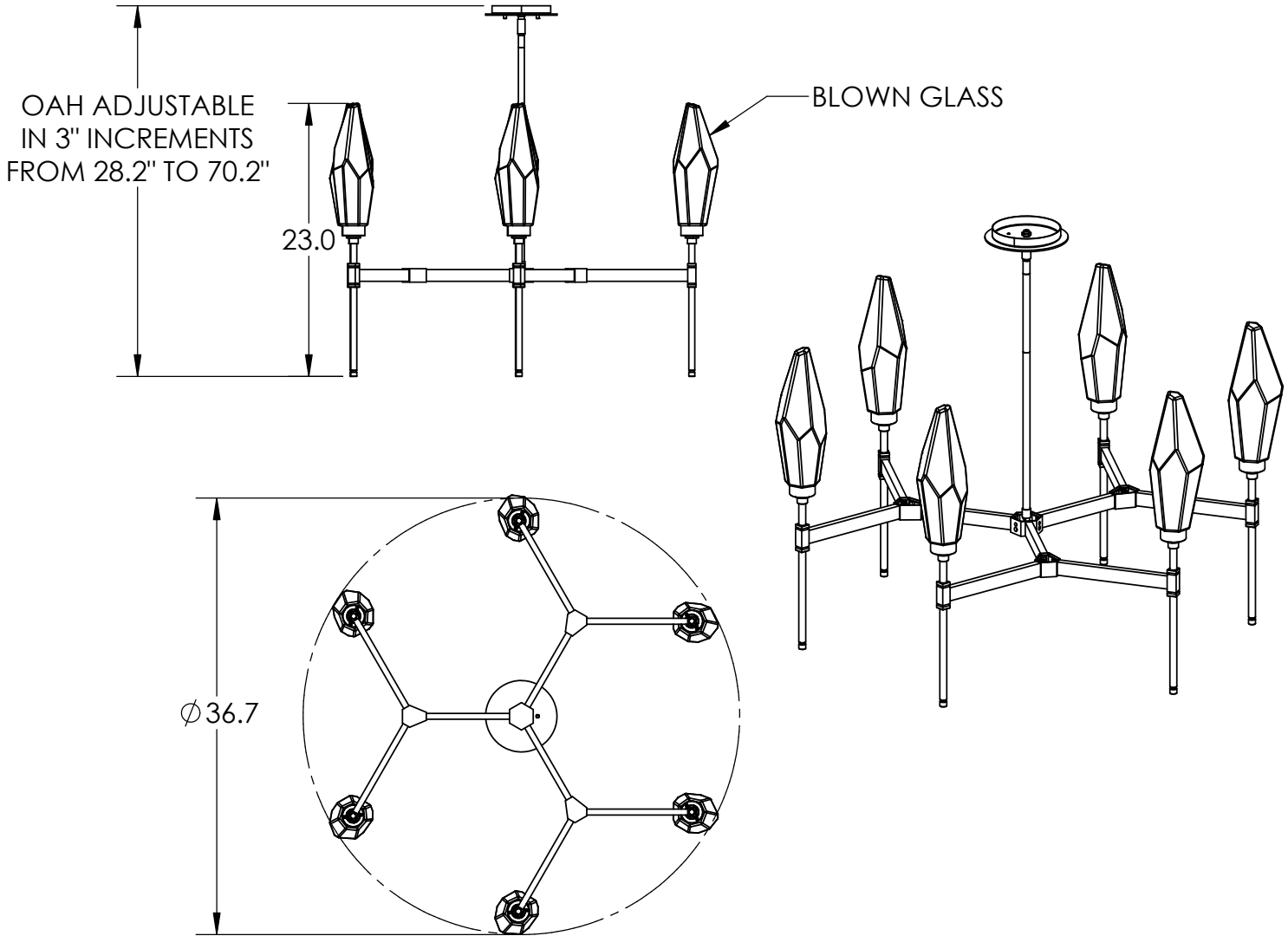


Collection: Rock Crystal

Product #: CHB0050-37



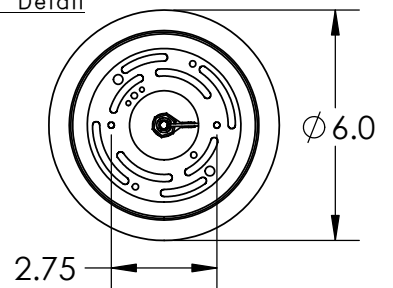
****NOTE****
 DRIVER TO BE INSTALLED IN JUNCTION BOX.
 MINIMUM SIZE J-BOX REQUIRED IS
 4" L X 4" W X 1.5" D

Visit hammertonstudio.com for product options and specifications.

10/25/2017 (A)

| | | | |
|--|------------------|---------------------------------------|--------------------------|
| Mounting Packet: T | Weight(lbs.): 25 | Electrical Type: LED | CCT: 2700 K |
| UL Location: DRY | | Elec. Qty: 6 | Wattage: 16 Voltage: 120 |
| Finish: SEE WEB SITE FOR OPTIONS | | Source Lumens: Up: 1075 | Down: N/A |
| Top Diffuser: CLOSED GLASS | | Dimmable: Forward/Reverse Phase to 1% | |
| Bottom Diffuser: CLOSED METAL | | CRI: 93+ | Power Factor: >0.9 |
| All fixtures created by Hammerton are handcrafted by artisans. Dimensions may vary up to 7/8". | | | |
| © Copyright 2017. All rights in design, detail or invention of this drawing are reserved as the property of Hammerton. Any imitation or adaptation without written consent is strictly prohibited. | | | |
| Hammerton Inc. 217 Wright Brothers Dr. Salt Lake City, UT 84116 (801)973-8095 | | | |

Mounting Detail



MOUNTS DIRECTLY TO J-BOX